

全国免费服务热线：

**4000 7272 18**

### 钦丰控股集团有限公司

QINFENG HOLDING GROUP CO., LTD.

地址：温州经济技术开发区滨海园区丁香路527号

ADD：NO.527 DINGXIANG ROAD,BINHAI INDUSTRIAL PARK, ECONOMIC AND  
TECHNOLOGICAL DEVELOPMENT ZONE WENZHOU, CHINA

电话/TEL：086-577-86998350

传真/FAX：086-577-86999964

EMAIL：admin@wzrfgj.com

WEB：www.cnqinfeng.cn www.reifung.cn

◆ 此目录仅提供部分标准及数据，未表述标准可详询我司。

© 目录样册版权、产品专利归钦丰集团所有，如有抄袭，必将追究其法律责任和经济赔偿。

意从容 品牌策划 13968806115



# 钦丰集团

QINFENG GROUP

高端管件/匠心智造

www.cnqinfeng.cn

## 让物料流通更安全

健康 / 环保 / 放心

MAKE MATERIAL CIRCULATION SAFER  
HEALTHY / ENVIRONMENT PROTECTION  
DON 'T WORRY

## HISTORY 发展历程

2009 成立温州市龙湾沙城日丰流体设备厂，进军食品、制药、酿酒行业的流体输送。

2009

2012 更名为温州日丰科技有限公司，取得了各项专利证书。

2012

2015 通过ISO9001体系认证，并获得3A、CE、TUV认证。

2015

2018 引入ERP系统并成功上线快速推进标准化生产

2018

2020 日丰科技在安徽省怀宁县成立分公司，占地面积22亩。同年获得宁德时代、比亚迪合格供应商；正式进军新能源行业，提供正负极材料输送的阀门供应。

2020

2021 更名为钦丰控股集团有限公司

2021

荣获“高新技术企业”

2022





## CHAIRMAN'S SPEECH

### 董事长致辞

钦丰集团的新老朋友们：

首先感谢您选择钦丰集团系列产品！你们选择“钦丰”品牌，是钦丰人的荣幸，也是钦丰人的骄傲！感谢你们一直以来对钦丰集团的支持与厚爱，你们是钦丰集团发展最强大的推力和最坚强的后盾！

放眼世界大局，这是我们国家日益走进世界舞台中央，不断为人类作出更大贡献的时代；从历史、现在、未来的联系上看，这是承前启后，继往开来的时代。在新的历史条件下，机遇和挑战共存。处于这个特殊时代的企业，只有坚持技术创新并领先，不断提升产品体验，全心全意服务市场，谋求高质量的发展，才能在这个高手云集的时代，立于不败之地。

我们有高端的品牌理念，推崇、打造“健康、环保、放心”的精细产品；我们有强大的企业团队，有尖端的技术力量，有先进的生产设备，还有精益求精追求完美的工匠精神；我们有坚韧不拔，百折不挠的勇气；我们有勇于奉献，敢于担当的博大情怀，我们有严谨务实，开拓进取，永不言败的工作作风。请相信我们，请相信“钦丰”，请选择“钦丰”，让我们并肩共谋发展，共创未来！

Dear all friends of QINFENG:

First of all, thanks for choosing QINFENG products! It is our honor and pride that you choose the "QINFENG" brand! Thanks for your continued support and trust in us. You are the strongest thrust and strongest backing for the development of QINFENG!

Looking at the overall situation of the world, this is an era in which our country is increasingly entering the center of the world stage and continuously making greater contributions to mankind. From the perspective of the relationship between history, present and future this is an era in which the past is inherited and the future is built. Under the new historical conditions, opportunities and challenges coexist. In this special era, only by insisting on technological innovation and leading, continuously improving product experience, serving the market wholeheartedly, and seeking high-quality development, can we remain invincible in this era of gathering masters.

We have a high-end brand concept, advocating and creating "healthy, environmentally friendly, and assured" products. We have a strong corporate team cutting-edge technical force advanced production equipment and a craftsman spirit that strives for perfection. We have a courage of perseverance. We have the broad sense of dedication and daring to take responsibility. And we have a rigorous and pragmatic, pioneering and enterprising principle of work. Please trust us, belief in QINFENG, choose QINFENG. Let us seek common development and achieve win-win cooperation.

自强不息

厚德载物

# CONTENT 目录

- 001 企业简介 Company Profile
- 003 企业文化 Corporate Culture
- 004 组织架构 Organizational Structure
- 005 管理团队 Management Team
- 006 设计研发 Design And Development
- 007 智能制造 Smart Manufacturing
- 008 检验检测 Inspection and testing
- 009 无尘车间 Dust-free Workshop
- 011 资质荣誉 Qualification Honor
- 013 新型专利 New Style Patent
- 015 销售网络 Sales network
- 016 应用与服务 Applications and services



**017**  
卫生级管件3A系列  
Sanitary Pipe Fittings 3A Series



**034**  
卫生级管件AS系列  
Sanitary Pipe Fittings AS Series



**076**  
卫生级管件SMS系列  
Sanitary Pipe Fittings SMS Series



**082**  
软管接头3A系列  
Hose Barb Adapter 3A Series



**086**  
卫生级由任系列  
Sanitary Union Series



**119**  
卫生级真空管件系列  
Sanitary Vacuum Pipe Fittings Series



**039**  
卫生级管件BPE系列  
Sanitary Pipe Fittings BPE Series



**051**  
卫生级管件BS系列  
Sanitary Pipe Fittings BS Series



**056**  
卫生级管件DIN系列  
Sanitary Pipe Fittings DIN Series



**068**  
卫生级管件ISO系列  
Sanitary Pipe Fittings ISO Series



**124**  
清洗球系列  
Cleaning Ball Series



**129**  
卫生级人孔系列  
Sanitary Grade Manhole Series



**131**  
管支架系列  
Pipe Support Series



**137**  
视镜系列  
Sanitary Sight Glass Series

**141**  
卡箍螺母  
Clamp Screw Nut

**142**  
卡箍及其他配件  
Clamp And Accessories

**144**  
各种标准卫生管道系列  
Various standard plumbing series

## COMPANY PROFILE 企业简介

钦丰控股集团有限公司始创于（2009年原温州龙湾日丰流体设备厂），创办人以一个打工者的身份与各位创业伙伴一起，满怀信心从一个小型作坊开始起步。秉承着为世界提供：“健康、环保、放心”产品的经营理念。

钦丰产品应用于制药、酿酒、乳制品、新能源、化妆品、化工等领域。生产涵盖各式球阀、蝶阀、隔膜阀、换向阀、防混阀、阀阵、卫生泵、管配件等系列产品。

钦丰集团有研发中心、检验检测设备，视质量为生命的生产团队，保持“前沿制造技术、缔造完美品质”的质量观念，获得多项行业证书和国家专利证书。

“钦敬之忱、丰翼翱翔”。钦丰集团确定了五年一个跨越，以“卓越-成就品牌、创新-领航未来、信誉-赢得市场”为核心价值观。

一路走来，是大家共同成就了钦丰、展望未来我们的成就将更加辉煌！



Qinfeng Holding Group Co.,Ltd(2009 former Wenzhou Longwan RiFeng fluid equipment factory) . was established in 2010,The founder works as a migrant worker with fellow entrepreneurs, start with confidence from a small workshop. adhering to the world to provide:"health,environmental, protection rest assured" products business philosophy.

Qinfeng products are widely used in pharmaceuticals, wine, dairy products, new energy, cosmetics and chemicals industry. Products cover all kinds of ball valves, butterfly valves, diaphragm valves, reversing valves, mixproof valve, manifold,sanitary pumps, pipe fittings and other series.We can according to customer requirements with different standards for refined production.

Qinfeng has a professional science and technology research and development center, advanced testing equipment quality as the life of the refined production team,maintain"cutting-edge manufacturing technology, create perfect quality" quality concept obtained a number of products national patent certificate.

"QINFENG' s dream, Flying with wings" . Qinfeng has made a leap of five years, to " excellence-achievement brand, innovation-leading the future, credibility-win the market" as the core values.

Along the way, Qinfeng has made great achievements with all of you.Looking forward to the next five years,our achievements will be even more brilliant!

# CORPORATE CULTURE

## 企业文化

### 核心价值观 CORE VALUES

卓越、成就品牌；创新、领航未来；信誉、赢得市场  
 Excellent achieves brand, innovate leads the future, reputation win the market.

### 企业愿景 ENTERPRISE VISION

创卫生阀门行业一流品牌  
 Create a first-class brand of sanitary valve industry

### 企业使命 ENTERPRISE MISSION

提供“健康、环保、放心”的优质产品  
 To provide "health, environmental, assured," premium brand

### 企业精神 ENTERPRISE SPIRIT

严谨、务实、永不松懈  
 Rigorous, pragmatic, never lax

### 品牌释义 BRAND INTERPRETATION

钦敬之忱、丰翼翱翔  
 admire and respect, and wings will soar

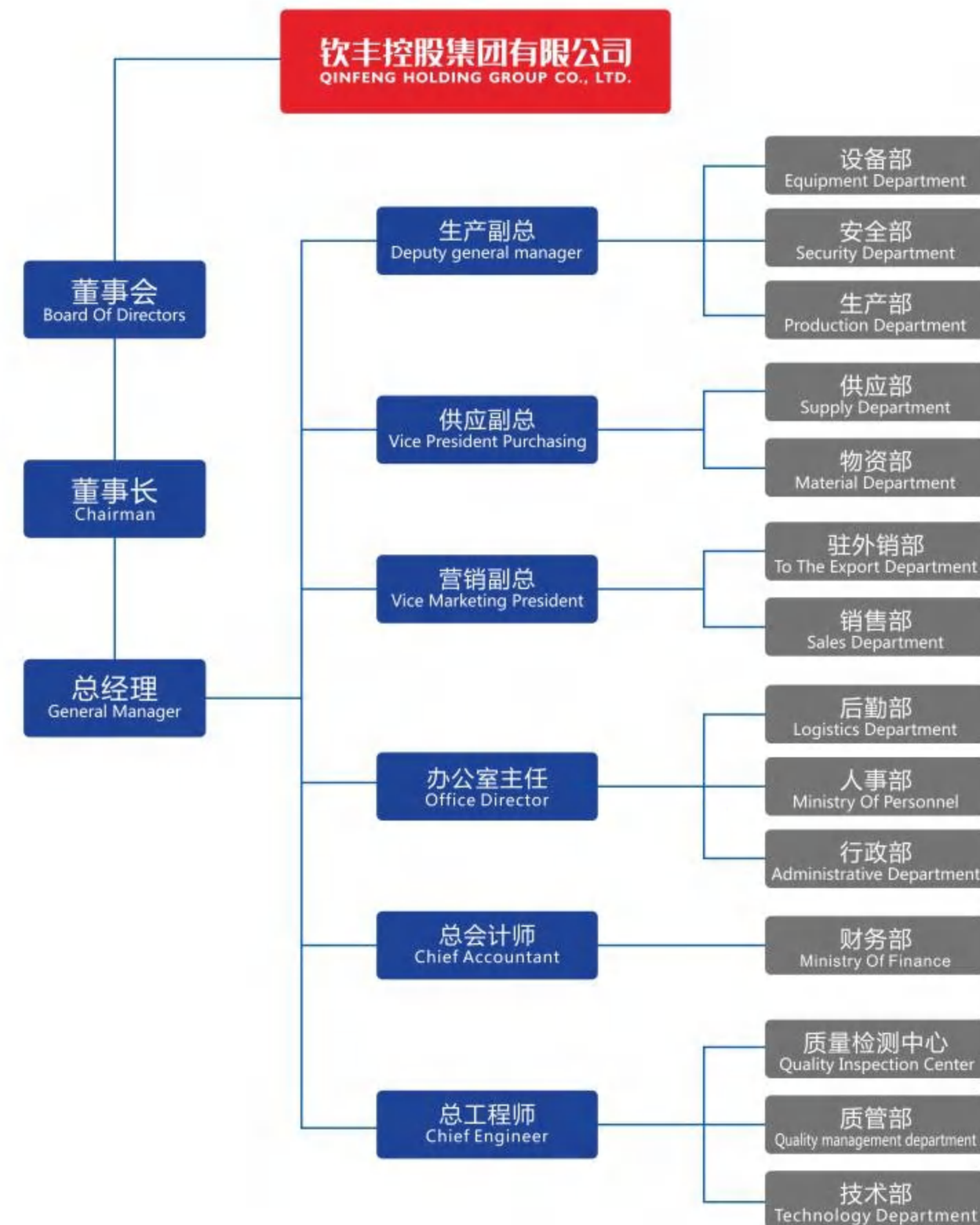
### 质量观念 QUALITY CONCEPT

高端制造技术，缔造完美品质  
 "High end manufacturing technology, create the perfect quality"



# ORGANIZATIONAL STRUCTURE

## 组织架构



## MANAGEMENT TEAM

管理团队



钦丰集团拥有一支在国内外行业工作多年的一流管理团队，在市场开拓、管理资质和专业技术上都有深厚的背景和实战经验。在瞬息万变的市场环境中，始终保持着不断学习的能力，不屈不挠的精神，使钦丰集团无论在研发设计，生产管理，还是市场营销和售后服务等方面都处于行业领先地位。高品质是钦丰的一贯坚持，创新是我们的前进动力。

Qinfeng group has a first-class management team that has worked in the domestic and foreign industries for many years, and has a solid background and practical experience in market development, management qualifications and professional skills. In the ever-changing market environment, we have always maintained the ability to continuously learn, and the unyielding spirit has enabled Qinfeng group to be in the leading position in the industry in terms of R&D design, production management, marketing and after-sales service. High quality is the consistent insistence of Qinfeng, and innovation is our driving force.

钦丰集团强大的营销团队是企业发展的基石！团队是强调营销手段的整体性和营销主体的整体性，尽量为最终消费者创造最大的让利价值，使最终消费者满意最大化，使企业从中获得长远发展和长期利润。

Qinfeng group technology strong marketing team is an important cornerstone of enterprise development! The team emphasizes the integrity of marketing means and the integrity of marketing subjects, tries to create the maximum profit value for the final consumers, maximizes the satisfaction of the final consumers, and enables the enterprise to obtain long-term development and long-term profits.

## DESIGN AND DEVELOPMENT

设计研发

### RIGOROUS PRAGMATIC NEVER LET UP

严谨务实 永不松懈

钦丰集团采用的流体系统规划理论和设计方法，根据行业标准，通过市场数据分析计算出科学模型，设计出顾客需要的产品或服务，强调顾客的满意度；设计出可制造性强、稳定性强的产品，强调产品责任；设计出绿色环保产品，展现商业道德和社会价值。

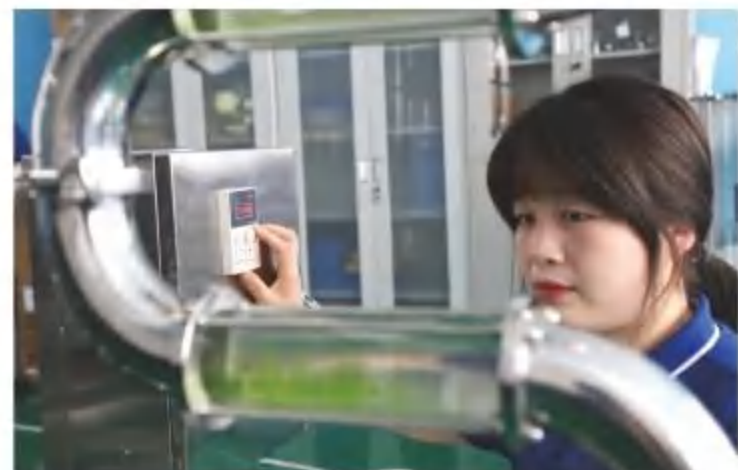
Based on the fluid system planning theory and design method adopted by Qinfeng group, according to the industry standards, the scientific model is calculated through the analysis of market data, the products or services required by customers are designed, and the customer satisfaction is emphasized; Design products with strong manufacturability and stability, and emphasize product responsibility; Design green environmental protection products to show business ethics and social value.



## SMART MANUFACTURING 智能制造

技术娴熟、恪守承诺的团队，产品研发和服务的全面组合力量将使钦丰集团能始终如一地为您呈递最佳的流体运动和控制解决方案。此解决方案的表现绝对能超越我们客户对它的期望。

Skilled and committed team. A comprehensive portfolio of product development and services will enable Qinfeng group to consistently provide you with the best fluid motion and control solutions. The performance of this solution is absolutely beyond our expectations of our customers.



## INSPECTION AND TESTING 检验检测

严谨、务实、永不松懈的工作作风，植根于钦丰集团的每一道生产工序中。检验员高度负责的态度融于每一个部件之中，加上最先进的检测设备和严格的科学化管理，使每一个生产的成品经得起顾客的精挑细选。

公司积极培养和扩展员工的岗位成长之路，为员工发挥个人潜力提供广阔的平台，培养一批素质高、技术硬、有着高度社会责任感的技能人才，使公司在管理水平和员工实践操作能力上不断提升，是钦丰集团追求的最高境界。

Rigorous, pragmatic, never lax, work style rooted in each QINFENG GROUP production process. Inspectors' highly responsible attitude lies in each one of the parts, and the most advanced detection equipment and strict scientific management, each with a production of quality stand the customers' requirement.

Company is actively training and extension staff's job growth, for employees to exert their potential to provide a broad platform, cultivate a group of high quality, hard technology, a high degree of social responsibility of technical personnel, the company in the management level and the staff time operation ability constantly upgrading, is QINFENG GROUP highest pursuit.



# DUST-FREE WORKSHOP 无尘车间



# QUALIFICATION HONOR

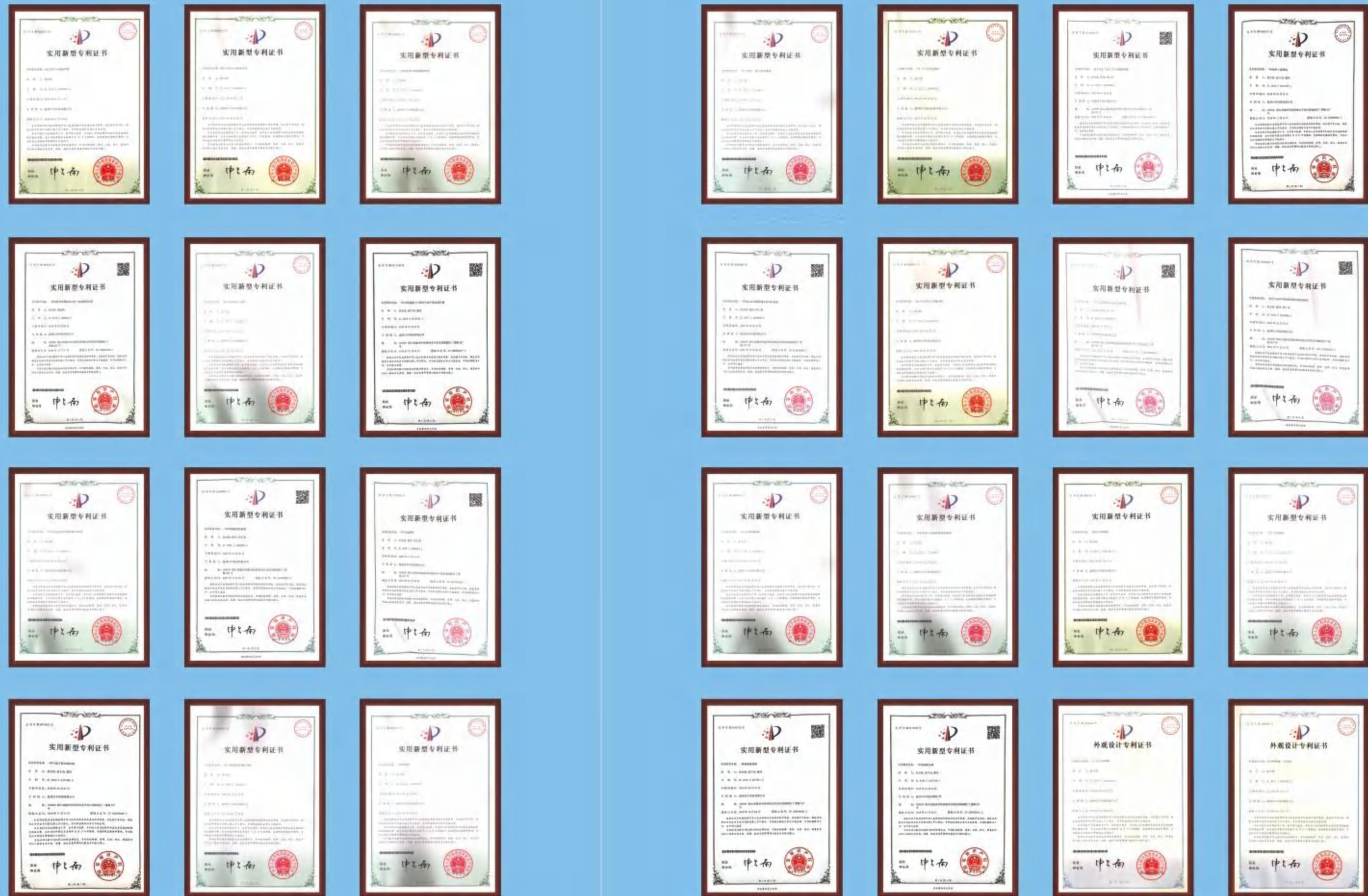
## 资质荣誉

荣誉因为客户而存在。  
因为我们的一切努力，都是为了客户的满意。  
一个个性化的品牌，不仅仅在于获得荣誉的多少，更在于如何看待荣誉的本身。  
软丰集团，摒弃了荣誉的表象，真正将其作为激励自身的不竭动力。



**NEW STYLE  
PATENT  
新型专利**

Honor because of the existence of customers,  
because of all our efforts are in order to satisfied customers.  
A personalized brand, not just to get how much honors,  
but also how to look at the honor of itself.  
Qinfeng group, abandoned the external honor,  
and regard as a motivation to encourage their own inexhaustible power.



## SALES NETWORK 销售网络



**500+**  
覆盖区域  
Coverage area

**1000+**  
合作伙伴  
Partner

**1.2亿+**  
销售量  
Sales volume

在软丰集团我们有决心从各方面进行改进提高工作效率，阀门技术取得创新、突破；销售业务提高。了解客户并进行交流，满足客户的深层需求。

In Qinfeng group, We are determined to improve from all aspects to improve work efficiency. Innovation and breakthrough of valve technology; improvement of sales business; understanding and communication with customers to meet the deep-seated needs of customers.



## APPLICATIONS AND SERVICES 应用与服务



软丰集团在医药、啤酒、乳品、化工、输水等行业的生产设备设计、施工方面提供了实际经验和高度的技术开发能力，努力提高设备的安全性、合理性、卫生性从而受到行业用户的不断惠顾。

Qinfeng group has provided practical experience and a high degree of technical development ability in the design and construction of production equipment in the pharmaceutical, beer, dairy, chemical, water transportation and other industries, and has made efforts to improve the safety, rationality and hygiene of the equipment, thus receiving constant patronage from industry users.



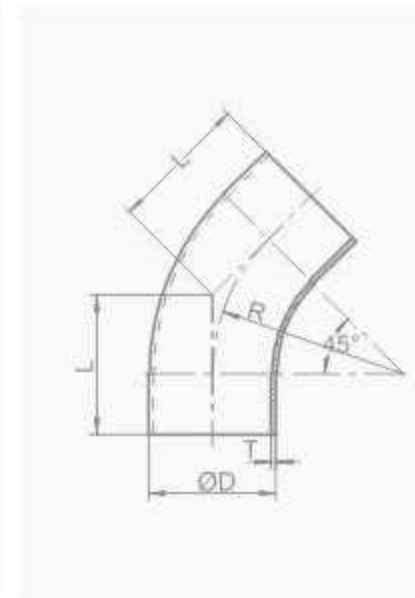
SANITARY PIPE FITTINGS 3A SERIES  
卫生级管件3A系列

SANITARY  
PIPE FITTINGS  
3A SERIES  
卫生级管件3A系列

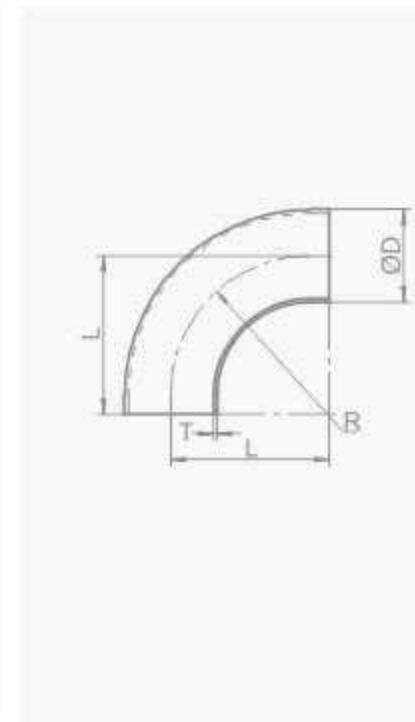
01



45°焊式短弯头 / 45° Weld Short Elbow				
Size	ØD	L	R	T
1/2"	12.7	7.9	19.1	1.65
3/4"	19.1	11.8	28.6	1.65
1.0"	25.4	15.8	38.1	1.65
1.25"	31.8	19.8	47.7	1.65
1.5"	38.1	23.7	57.2	1.65
2.0"	50.8	31.6	76.2	1.65
2.5"	63.5	39.5	95.3	1.65
3.0"	76.2	47.3	114.3	1.65
4.0"	101.6	63.1	152.4	2.1
6.0"	152.4	94.7	228.6	2.77
8.0"	203.2	126.4	304.8	2.77
10.0"	254	157.8	381	2.77
12.0"	304.8	189.3	457.2	2.77



45°焊式长弯头 / 45° Weld Long Elbow				
Size	ØD	L	R	T
1/2"	12.7	30.2	19.1	1.65
3/4"	19.1	30.2	28.6	1.65
1.0"	25.4	30.2	38.1	1.65
1.25"	31.8	35.8	47.7	1.65
1.5"	38.1	41.3	57.2	1.65
2.0"	50.8	58.7	76.2	1.65
2.5"	63.5	76.2	95.3	1.65
3.0"	76.2	93.7	114.3	1.65
4.0"	101.6	122.2	152.4	2.1
6.0"	152.4	158.2	228.6	2.77

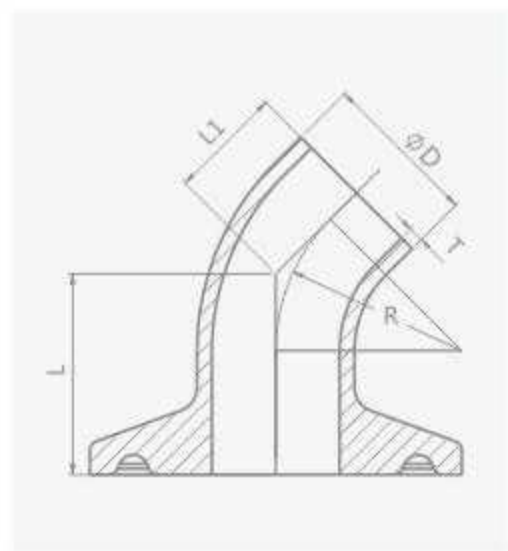


90°焊式短弯头 / 90° Weld Short Elbow				
Size	ØD	L	R	T
1/2"	12.7	19.1	19.1	1.65
3/4"	19.1	28.6	28.6	1.65
1.0"	25.4	38.1	38.1	1.65
1.25"	31.8	47.7	47.7	1.65
1.5"	38.1	57.2	57.2	1.65
2.0"	50.8	76.2	76.2	1.65
2.5"	63.5	95.3	95.3	1.65
3.0"	76.2	114.3	114.3	1.65
4.0"	101.6	152.4	152.4	2.1
5.0"	127	190.5	190.5	2.77
6.0"	152.4	228.6	228.6	2.77
8.0"	203.2	304.8	304.8	2.77
10.0"	254	381	381	2.77
12.0"	304.8	457.2	457.2	2.77

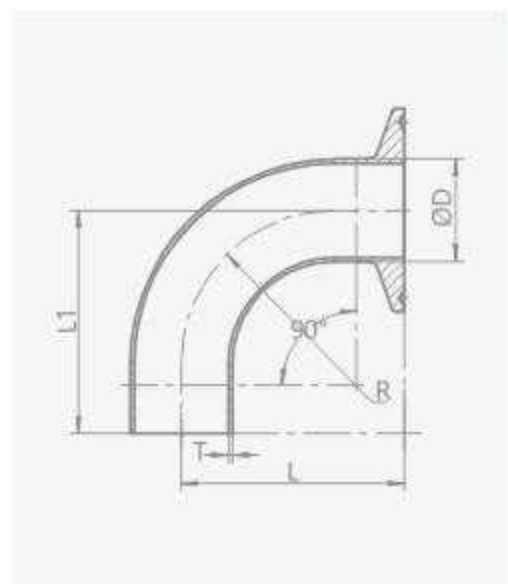
**SANITARY PIPE FITTINGS 3A SERIES**  
卫生级管件3A系列



90°焊式长弯头 / 90° Weld Long Elbow				
Size	ØD	L	R	T
1/2"	12.7	52.4	19.1	1.65
3/4"	19.1	52.4	28.6	1.65
1.0"	25.4	52.4	38.1	1.65
1.25"	31.8	64	47.7	1.65
1.5"	38.1	74.6	57.2	1.65
2.0"	50.8	103.2	76.2	1.65
2.5"	63.5	131.8	95.3	1.65
3.0"	76.2	160.3	114.3	1.65
4.0"	101.6	211.1	152.4	2.1
6.0"	152.4	292.1	228.6	2.77

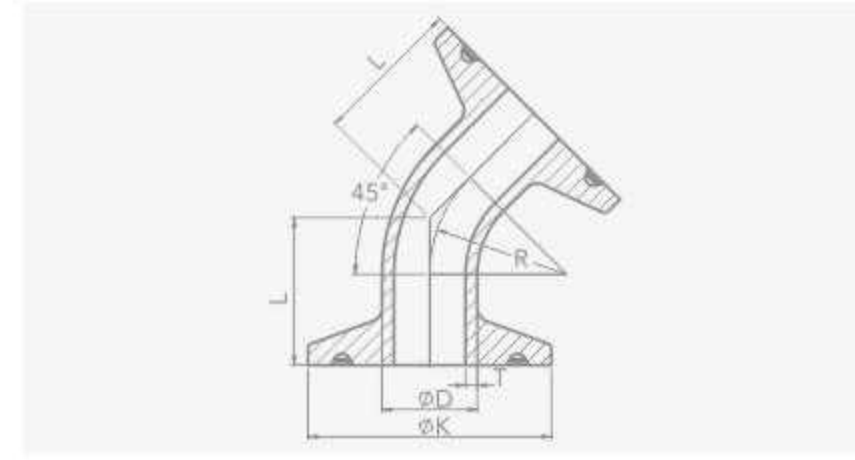


45°焊夹式长弯头 / 45° Weld-Clamp Long Elbow					
Size	ØD	L	L1	R	T
1/2"	12.7	42.9	30.2	19.1	1.65
3/4"	19.1	42.9	30.2	28.6	1.65
1.0"	25.4	42.9	30.2	38.1	1.65
1.25"	31.8	48.5	35.8	47.7	1.65
1.5"	38.1	54	41.3	57.2	1.65
2.0"	50.8	71.4	58.7	76.2	1.65
2.5"	63.5	88.9	76.2	95.3	1.65
3.0"	76.2	106.4	93.7	114.3	1.65
4.0"	101.6	138	122.2	152.4	2.1
6.0"	152.4	179.7	158.2	228.6	2.77

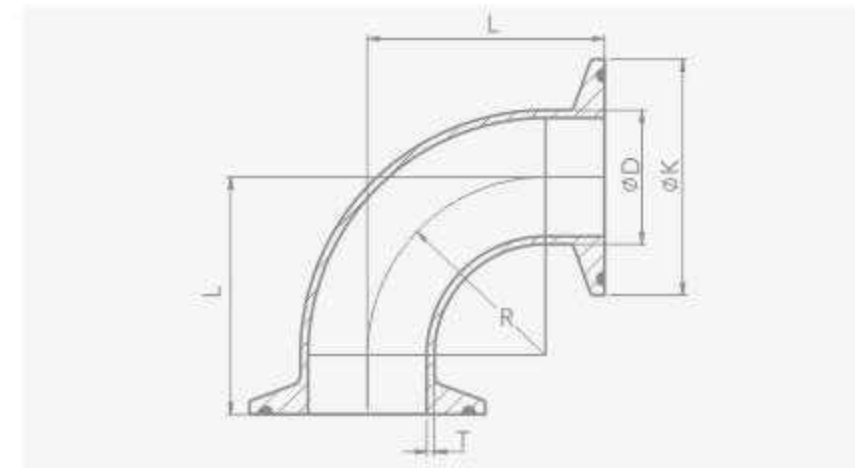


90°焊夹式长弯头 / 90° Weld-Clamp Elbow					
Size	ØD	L	L1	R	T
1/2"	12.7	65.1	52.4	19.1	1.65
3/4"	19.1	65.1	52.4	28.6	1.65
1.0"	25.4	65.1	52.4	38.1	1.65
1.25"	31.8	76.7	64	47.7	1.65
1.5"	38.1	87.3	74.6	57.2	1.65
2.0"	50.8	115.9	103.2	76.2	1.65
2.5"	63.5	144.5	131.8	95.3	1.65
3.0"	76.2	173	160.3	114.3	1.65
4.0"	101.6	227	211.2	152.4	2.1
6.0"	152.4	313.6	292.1	228.6	2.77

**SANITARY PIPE FITTINGS 3A SERIES**  
卫生级管件3A系列



45°夹式短弯头 / 45° Clamp Short Elbow				
Size	ØD	L	R	T
1/2"	12.7	20.6	19.1	1.65
3/4"	19.1	24.6	28.6	1.65
1.0"	25.4	28.5	38.1	1.65
1.25"	31.8	32.5	47.7	1.65
1.5"	38.1	36.4	57.2	1.65
2.0"	50.8	44.3	76.2	1.65
2.5"	63.5	52.2	95.3	1.65
3.0"	76.2	60	114.3	1.65
4.0"	101.6	78.9	152.4	2.1
6.0"	152.4	116.2	228.6	2.77



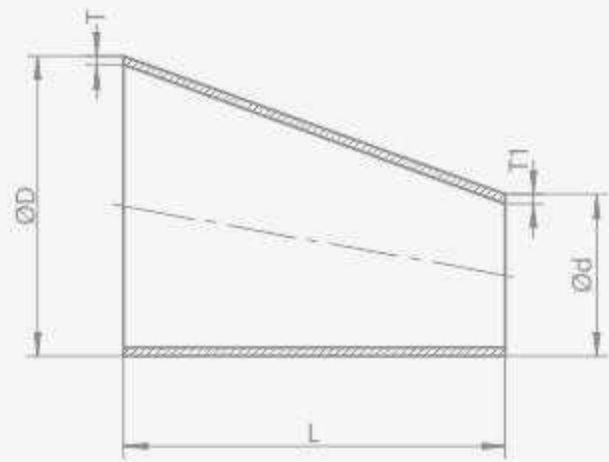
90°夹式短弯头 / 90° Clamp Short Elbow				
Size	ØD	L	R	T
1/2"	12.7	31.8	19.1	1.65
3/4"	19.1	41.3	28.6	1.65
1.0"	25.4	50.8	38.1	1.65
1.25"	31.8	60.4	47.7	1.65
1.5"	38.1	69.9	57.2	1.65
2.0"	50.8	88.9	76.2	1.65
2.5"	63.5	107.95	95.3	1.65
3.0"	76.2	127	114.3	1.65
4.0"	101.6	168.2	152.4	2.1
6.0"	152.4	250.1	228.6	2.77

**SANITARY PIPE FITTINGS 3A SERIES**  
卫生级管件**3A**系列

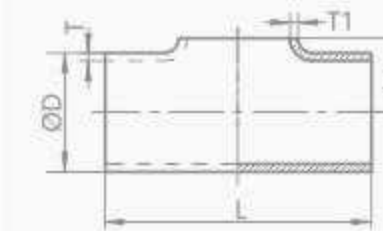
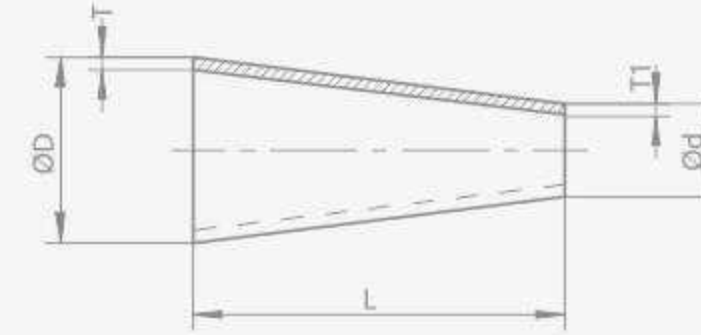
**SANITARY PIPE FITTINGS 3A SERIES**  
卫生级管件**3A**系列



焊式偏心大小头 / Weld Eccentric Reducer					
Size	ØD	Ød	L	T	T1
3/4"X1/2"	19.1	12.7	25.4	1.65	1.65
1.0"X1/2"	25.4	12.7	50.8	1.65	1.65
1.0"X3/4"	25.4	19.1	25.4	1.65	1.65
1.5"X1/2"	38.1	12.7	101.6	1.65	1.65
1.5"X3/4"	38.1	19.1	76.2	1.65	1.65
1.5"x1.0"	38.1	25.4	50.8	1.65	1.65
2.0"X1/2"	50.8	12.7	152.4	1.65	1.65
2.0"X3/4"	50.8	19.1	127	1.65	1.65
2.0"X1.0"	50.8	25.4	101.6	1.65	1.65
2.0"X1.5"	50.8	38.1	50.8	1.65	1.65
2.5"X1.0"	63.5	25.4	152.4	1.65	1.65
2.5"X1.5"	63.5	38.1	101.6	1.65	1.65
2.5"X2.0"	63.5	50.8	50.8	1.65	1.65
3.0"X1.0"	76.2	25.4	203.2	1.65	1.65
3.0"X1.5"	76.2	38.1	152.4	1.65	1.65
3.0"X2.0"	76.2	50.8	101.6	1.65	1.65
3.0"X2.5"	76.2	63.5	50.8	1.65	1.65
4.0"X1.0"	101.6	25.4	304.8	2.1	1.65
4.0"X1.5"	101.6	38.1	254	2.1	1.65
4.0"X2.0"	101.6	50.8	203.2	2.1	1.65
4.0"X2.5"	101.6	63.5	152.4	2.1	1.65
4.0"X3.0"	101.6	76.2	101.6	2.1	1.65
6.0"X2.0"	152.4	50.8	139.7	2.77	1.65
6.0"X3.0"	152.4	76.2	139.7	2.77	1.65
6.0"X4.0"	152.4	101.6	139.7	2.77	2.1

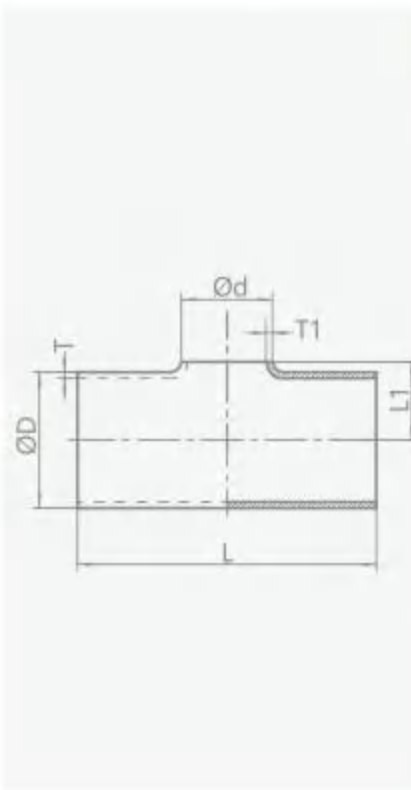


焊式同心大小头 / Welded Concentric Reducer					
Size	ØD	Ød	L	T	T1
3/4"X1/2"	19.1	12.7	25.4	1.65	1.65
1.0"X1/2"	25.4	12.7	50.8	1.65	1.65
1.0"X3/4"	25.4	19.1	25.4	1.65	1.65
1.5"X1/2"	38.1	12.7	101.6	1.65	1.65
1.5"X3/4"	38.1	19.1	76.2	1.65	1.65
1.5"x1.0"	38.1	25.4	50.8	1.65	1.65
2.0"X1/2"	50.8	12.7	152.4	1.65	1.65
2.0"X3/4"	50.8	19.1	127	1.65	1.65
2.0"X1.0"	50.8	25.4	101.6	1.65	1.65
2.0"X1.5"	50.8	38.1	50.8	1.65	1.65
2.5"X1.0"	63.5	25.4	152.4	1.65	1.65
2.5"X1.5"	63.5	38.1	101.6	1.65	1.65
2.5"X2.0"	63.5	50.8	50.8	1.65	1.65
3.0"X1.0"	76.2	25.4	203.2	1.65	1.65
3.0"X1.5"	76.2	38.1	152.4	1.65	1.65
3.0"X2.0"	76.2	50.8	101.6	1.65	1.65
3.0"X2.5"	76.2	63.5	50.8	1.65	1.65
4.0"X1.0"	101.6	25.4	304.8	2.1	1.65
4.0"X1.5"	101.6	38.1	254	2.1	1.65
4.0"X2.0"	101.6	50.8	203.2	2.1	1.65
4.0"X2.5"	101.6	63.5	152.4	2.1	1.65
4.0"X3.0"	101.6	76.2	101.6	2.1	1.65
6.0"X2.0"	152.4	50.8	139.7	2.77	1.65
6.0"X3.0"	152.4	76.2	139.7	2.77	1.65
6.0"X4.0"	152.4	101.6	139.7	2.77	2.1

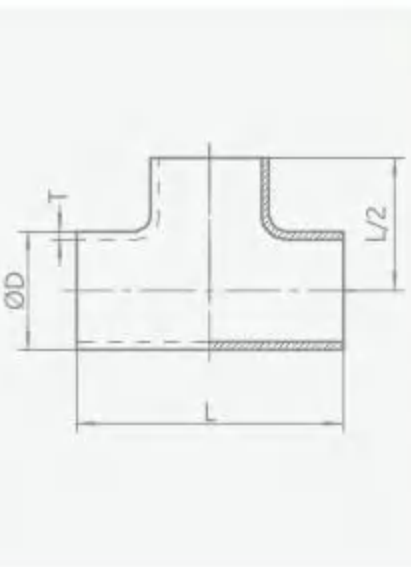


焊式等径平口短三通 / Welded Equal Short Tee Without Straight End				
Size	ØD	L	L1	T/T1
1.0"	25.4	57.2	14.7	1.65
1.5"	38.1	84.2	21	1.65
2.0"	50.8	104.8	27.4	1.65
2.5"	63.5	119	33.7	1.65
3.0"	76.2	131.8	40.1	1.65
4.0"	101.6	174.6	52.8	2.1

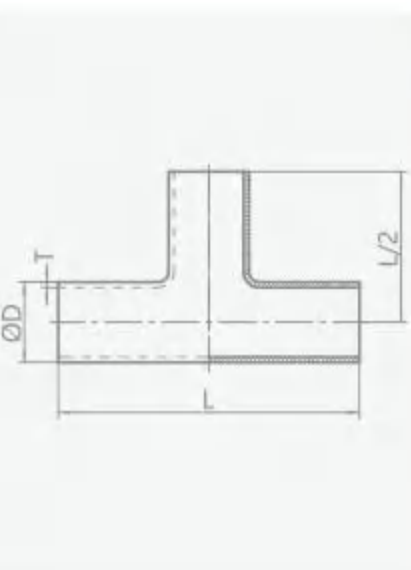
**SANITARY PIPE FITTINGS 3A SERIES**  
卫生级管件3A系列



焊式变径平口短三通 Weld Short Reducing Tee Without Straight End						
Size	ØD	Ød	L	L1	T1	T
1.5"x1.0"	38.1	25.4	84.2	21	1.65	1.65
2.0"x1.0"	50.8	25.4	104.8	27.4	1.65	1.65
2.0"x1.5"	50.8	38.1	104.8	27.4	1.65	1.65
2.5"x1.0"	63.5	25.4	119	33.75	1.65	1.65
2.5"x1.5"	63.5	38.1	119	33.75	1.65	1.65
2.5"x2.0"	63.5	50.8	119	33.75	1.65	1.65
3.0"x1.0"	76.2	25.4	131.8	40.1	1.65	1.65
3.0"x1.5"	76.2	38.1	131.8	40.1	1.65	1.65
3.0"x2.0"	76.2	50.8	131.8	40.1	1.65	1.65
3.0"x2.5"	76.2	63.5	131.8	40.1	1.65	1.65
4.0"x1.0"	101.6	25.4	174.6	52.8	1.65	2.1
4.0"x1.5"	101.6	38.1	174.6	52.8	1.65	2.1
4.0"x2.0"	101.6	50.8	174.6	52.8	1.65	2.1
4.0"x2.5"	101.6	63.5	174.6	52.8	1.65	2.1
4.0"x3.0"	101.6	76.2	174.6	52.8	1.65	2.1

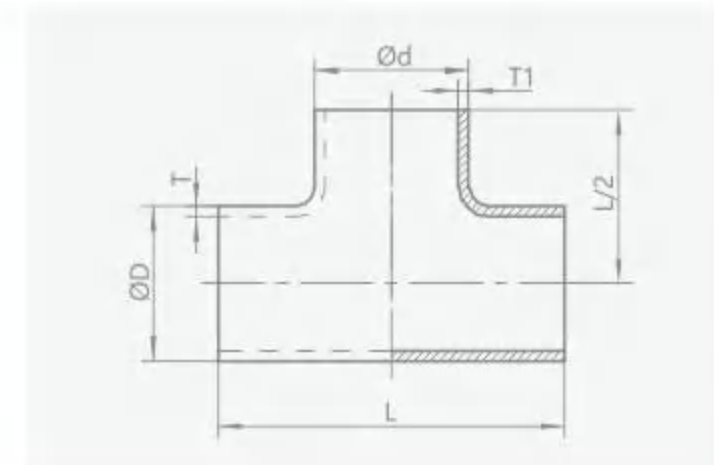


焊式等径短三通 Weld Short Equal Tee			
Size	ØD	L	T
1/2"	12.7	38.1	1.65
3/4"	19.1	57.2	1.65
1.0"	25.4	57.2	1.65
1.25"	31.8	76	1.65
1.5"	38.1	84.2	1.65
2.0"	50.8	104.8	1.65
2.5"	63.5	119	1.65
3.0"	76.2	131.8	1.65
4.0"	101.6	174.6	2.1
6.0"	152.4	254	2.77

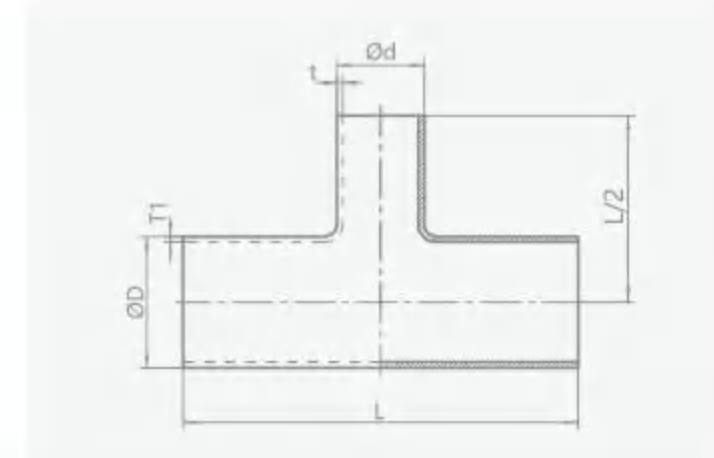


焊式等径长三通 Weld Long Equal Tee			
Size	ØD	L	T
1/2"	12.7	95.2	1.65
3/4"	19.1	95.2	1.65
1.0"	25.4	95.2	1.65
1.25"	31.8	110	1.65
1.5"	38.1	114.4	1.65
2.0"	50.8	152.4	1.65
2.5"	63.5	152.4	1.65
3.0"	76.2	165.2	1.65
4.0"	101.6	196.8	2.1
6.0"	152.4	285.8	2.77

**SANITARY PIPE FITTINGS 3A SERIES**  
卫生级管件3A系列



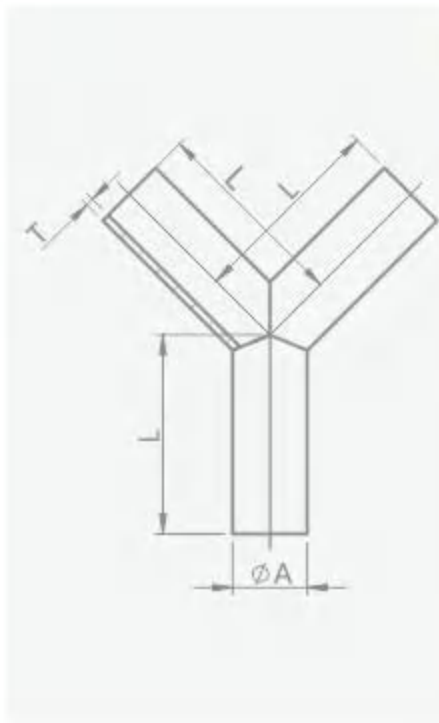
焊式变径短三通 / Weld Short Reducing Tee					
Size	ØD	Ød	L	T	T1
3/4"x1/2"	19.1	12.7	57.2	1.65	1.65
1.0"x1/2"	25.4	12.7	57.2	1.65	1.65
1.0"x3/4"	25.4	19.1	57.2	1.65	1.65
1.5"x1/2"	38.1	12.7	84.2	1.65	1.65
1.5"x3/4"	38.1	19.1	84.2	1.65	1.65
1.5"x1.0"	38.1	25.4	84.2	1.65	1.65
2.0"x1/2"	50.8	12.7	104.8	1.65	1.65
2.0"x3/4"	50.8	19.1	104.8	1.65	1.65
2.0"x1.0"	50.8	25.4	104.8	1.65	1.65
2.0"x1.5"	50.8	38.1	104.8	1.65	1.65
2.5"x1.0"	63.5	25.4	119	1.65	1.65
2.5"x1.5"	63.5	38.1	119	1.65	1.65
2.5"x2.0"	63.5	50.8	119	1.65	1.65
3.0"x1.0"	76.2	25.4	131.8	1.65	1.65
3.0"x1.5"	76.2	38.1	131.8	1.65	1.65
3.0"x2.0"	76.2	50.8	131.8	1.65	1.65
3.0"x2.5"	76.2	63.5	131.8	1.65	1.65
4.0"x1.0"	101.6	25.4	174.6	2.1	1.65
4.0"x1.5"	101.6	38.1	174.6	2.1	1.65
4.0"x2.0"	101.6	50.8	174.6	2.1	1.65
4.0"x2.5"	101.6	63.5	174.6	2.1	1.65
4.0"x3.0"	101.6	76.2	174.6	2.1	1.65



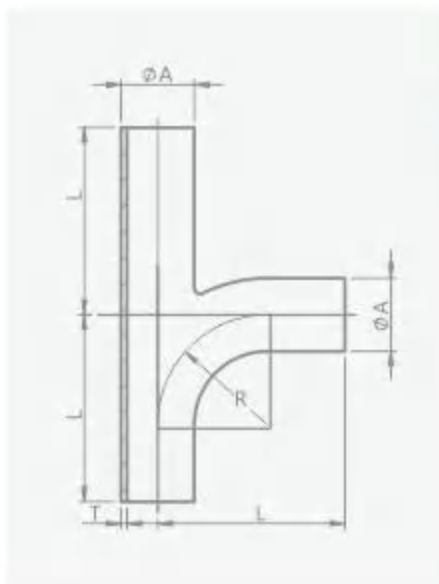
焊式变径长三通 / Weld Long Reducing Tee					
Size	ØD	Ød	L	T	T1
1/2"x3/8"	12.7	9.4	95.2	1.65	1.65
3/4"x1/2"	19.1	12.7	95.2	1.65	1.65
1.0"x3/8"	25.4	9.5	95.2	1.65	1.65
1.0"x1/2"	25.4	12.7	95.2	1.65	1.65
1.0"x3/4"	25.4	19.1	95.2	1.65	1.65
1.5"x1/2"	38.1	12.7	114.4	1.65	1.65
1.5"x1.0"	38.1	25.4	114.4	1.65	1.65
2.0"x1/2"	50.8	12.7	114.4	1.65	1.65
2.0"x1.0"	50.8	25.4	152.4	1.65	1.65
2.0"x1.5"	50.8	38.1	152.4	1.65	1.65
2.5"x1.0"	63.5	25.4	152.4	1.65	1.65
2.5"x1.5"	63.5	38.1	152.4	1.65	1.65
2.5"x2.0"	63.5	50.8	152.4	1.65	1.65
3.0"x1.0"	76.2	25.4	152.4	1.65	1.65
3.0"x1.5"	76.2	38.1	165.2	1.65	1.65
3.0"x2.0"	76.2	50.8	165.2	1.65	1.65
3.0"x2.5"	76.2	63.5	165.2	1.65	1.65
4.0"x1.0"	101.6	25.4	165.2	2.1	1.65
4.0"x1.5"	101.6	38.1	196.8	2.1	1.65
4.0"x2.0"	101.6	50.8	196.8	2.1	1.65
4.0"x2.5"	101.6	63.5	196.8	2.1	1.65
4.0"x3.0"	101.6	76.2	196.8	2.1	1.65



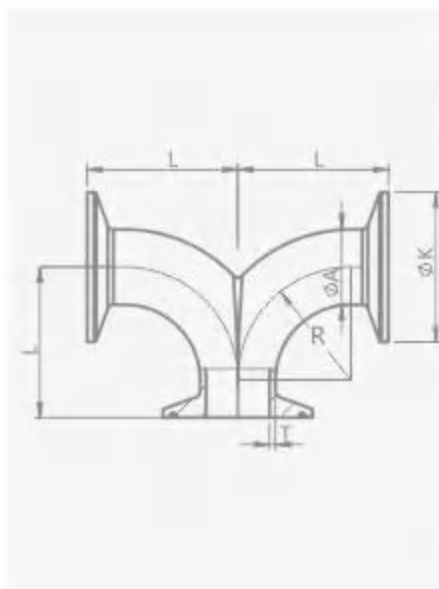
**SANITARY PIPE FITTINGS 3A SERIES**  
卫生级管件3A系列



对焊“Y”型三通 Butt Weld Y-Type Tee				
Size	ØA	L	T	
1/2"	12.7	50.8	1.65	
3/4"	19.1	50.8	1.65	
1"	25.4	76.2	1.65	
1 1/2"	38.1	76.2	1.65	
2"	50.8	101.6	1.65	
2 1/2"	63.5	127	1.65	
3"	76.2	152.4	1.65	
4"	101.6	203.2	2.1	
6"	152.4	203.2	2.77	

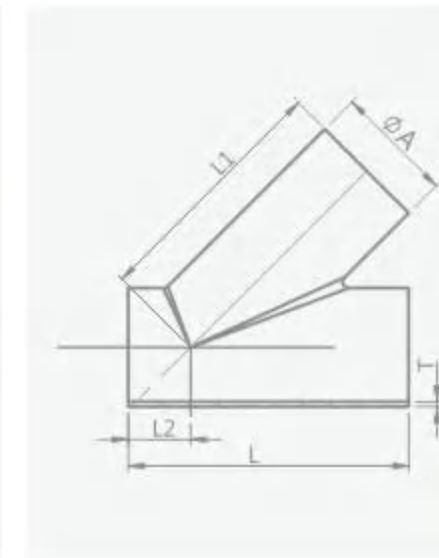


对焊“R”型三通 Butt Weld R-Type Tee(扫把型)				
Size	ØA	R	L	T
1"	25.4	38.1	65	1.65
1 1/2"	38.1	57.2	85	1.65
2"	50.8	76.2	110	1.65
2 1/2"	63.5	95.3	135	1.65
3"	76.2	114.3	155	1.65
4"	101.6	152.4	195	2.1
6"	152.4	228	268	2.77

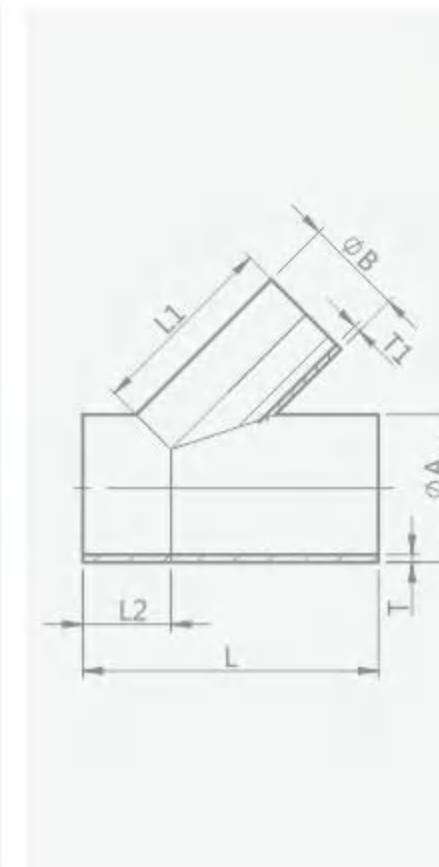


90°夹式双弯管 90°Clamp Double Elbow					
Size	ØA	ØK	R	L	T
1"	25.4	50.5	38.1	50.8	1.65
1 1/4"	31.75	50.5	47.4	60.4	1.65
1 1/2"	38.1	50.5	57.2	69.9	1.65
2"	50.8	64	76.2	88.9	1.65
2 1/2"	63.5	77.5	95.3	107.9	1.65
3"	76.2	91	114.3	127	1.65
4"	101.6	119	152.4	168.4	2.1

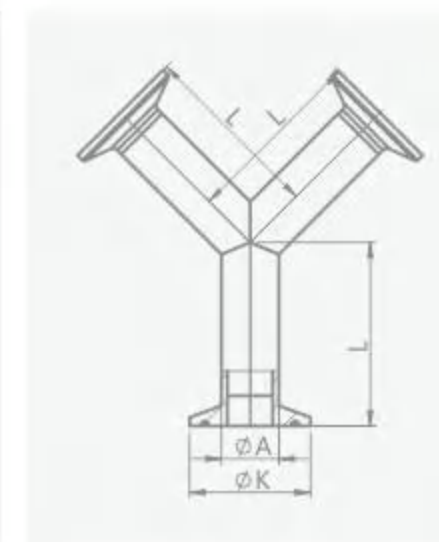
**SANITARY PIPE FITTINGS 3A SERIES**  
卫生级管件3A系列



对焊“Y”型三通 Butt Weld Y-Type Tee(45°)					
Size	ØA	L	L1	L2	T
1/2"	12.7	152.4	127	25.4	1.65
3/4"	19.1	152.4	127	25.4	1.65
1"	25.4	152.4	127	25.4	1.65
1 1/2"	38.1	187.3	173.1	30.2	1.65
2"	50.8	222.2	180.9	41.3	1.65
2 1/2"	63.5	254	215.9	38.1	1.65
3"	76.2	273.1	225.4	47.6	1.65
4"	101.6	325.5	273.1	52.4	2.1
6"	152.4	419.1	317.5	101.6	2.77

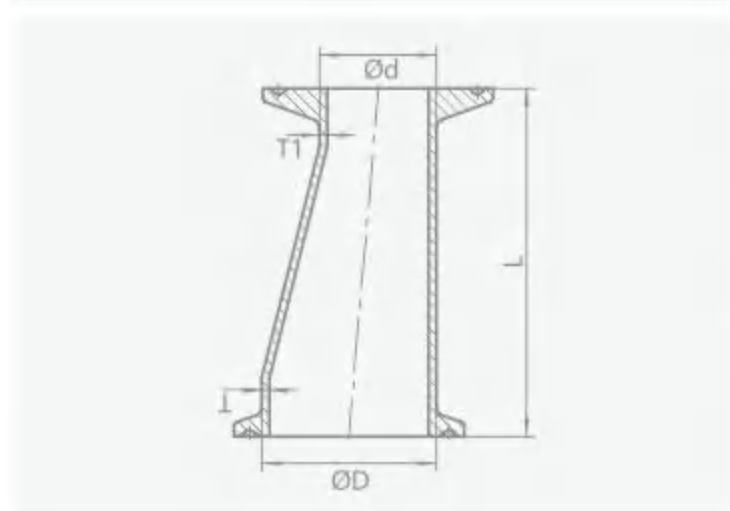


对焊“Y”型变径三通 Butt Weld Y-Type Tee(45°)					
Size	ØA×ØB	L	L1	L2	TxT1
1 1/2"-1"	38.1x25.4	187.3	157.2	30.2	1.65x1.65
2"-1"	50.8x25.4	222.2	181	41.3	1.65x1.65
2"-1 1/2"	50.8x38.1	222.2	181	41.3	1.65x1.65
2 1/2"-1"	63.5x25.4	254	215.9	38.1	1.65x1.65
2 1/2"-1 1/2"	63.5x38.1	254	215.9	38.1	1.65x1.65
2 1/2"-2"	63.5x50.8	254	215.9	38.1	1.65x1.65
3"-1"	76.2x25.4	273.1	225.4	47.6	1.65x1.65
3"-1 1/2"	76.2x38.1	273.1	225.4	47.6	1.65x1.65
3"-2"	76.2x50.8	273.1	225.4	47.6	1.65x1.65
3"-2 1/2"	76.2x63.5	273.1	225.4	47.6	1.65x1.65
4"-1"	101.6x25.4	325.5	273.1	52.4	2.1x1.65
4"-1 1/2"	101.6x38.1	325.5	273.1	52.4	2.1x1.65
4"-2"	101.6x50.8	274.7	273.1	52.4	2.1x1.65
4"-2 1/2"	101.6x63.5	325.5	273.1	52.4	2.1x1.65
4"-3"	101.6x76.2	325.5	273.1	52.4	2.1x1.65

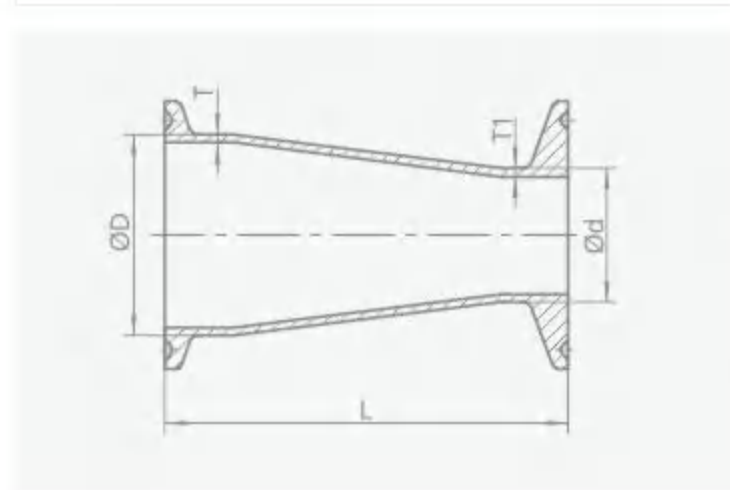


135°夹式“Y”型三通 135°clamped Y-Type Tee			
Size	ØA	L	ØK
1/2"	12.7	63.5	25.2
3/4"	19.1	63.5	25.2/50.5
1"	25.4	88.9	50.5
1 1/2"	38.1	88.9	50.5
2"	50.8	114.3	64
2 1/2"	63.5	139.7	77.5
3"	76.2	165.1	91
4"	101.6	219	119
6"	152.4	224.7	166.87

**SANITARY PIPE FITTINGS 3A SERIES**  
卫生级管件**3A**系列

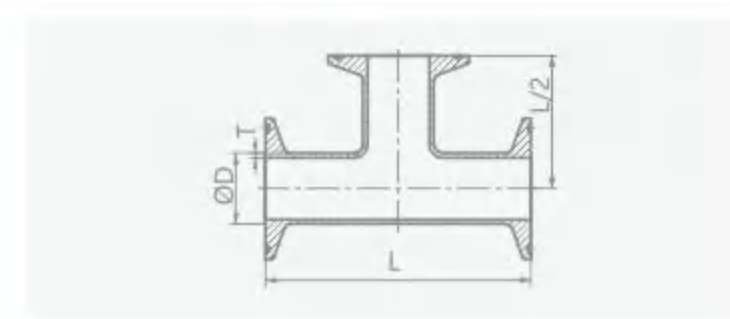


夹式偏心大小头 / Clamp Eccentric Reducer					
Size	ØD	Ød	L	T	T1
3/4"X1/2"	19.1	12.7	50.8	1.65	1.65
1.0"X1/2"	25.4	12.7	76.2	1.65	1.65
1.0"X3/4"	25.4	19.1	50.8	1.65	1.65
1.5"X1/2"	38.1	12.7	127	1.65	1.65
1.5"X3/4"	38.1	19.1	101.2	1.65	1.65
1.5"x1.0"	38.1	25.4	76.2	1.65	1.65
2.0"X1/2"	50.8	12.7	177.8	1.65	1.65
2.0"X1.0"	50.8	25.4	127	1.65	1.65
2.0"X1.5"	50.8	38.1	76.2	1.65	1.65
2.5"X1.0"	63.5	25.4	177.8	1.65	1.65
2.5"X1.5"	63.5	38.1	127	1.65	1.65
2.5"X2.0"	63.5	50.8	76.2	1.65	1.65
3.0"X1.0"	76.2	25.4	228.6	1.65	1.65
3.0"X1.5"	76.2	38.1	177.8	1.65	1.65
3.0"X2.0"	76.2	50.8	127	1.65	1.65
3.0"X2.5"	76.2	63.5	76.2	1.65	1.65
4.0"X1.0"	101.6	25.4	330.2	2.1	1.65
4.0"X1.5"	101.6	38.1	282.5	2.1	1.65
4.0"X2.0"	101.6	50.8	231.7	2.1	1.65
4.0"X2.5"	101.6	63.5	180.9	2.1	1.65
4.0"X3.0"	101.6	76.2	130.1	2.1	1.65

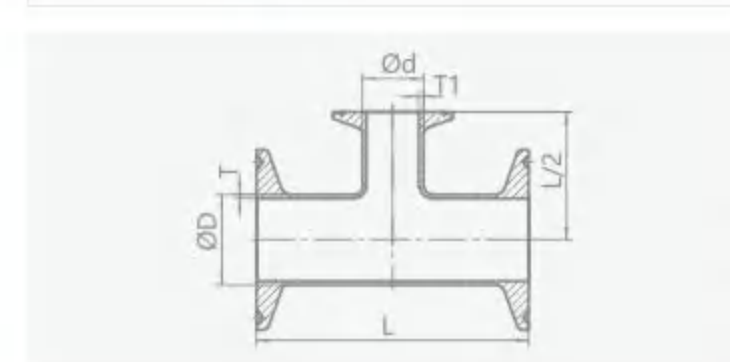


夹式同心大小头 / Clamp Concentric Reducer					
Size	ØD	Ød	L	T	T1
3/4"X1/2"	19.1	12.7	50.8	1.65	1.65
1.0"X1/2"	25.4	12.7	76.2	1.65	1.65
1.0"X3/4"	25.4	19.1	50.8	1.65	1.65
1.5"X1/2"	38.1	12.7	127	1.65	1.65
1.5"X3/4"	38.1	19.1	101.6	1.65	1.65
1.5"x1.0"	38.1	25.4	76.2	1.65	1.65
2.0"X1/2"	50.8	12.7	177.8	1.65	1.65
2.0"X3/4"	50.8	19.1	152.4	1.65	1.65
2.0"X1.0"	50.8	25.4	127	1.65	1.65
2.0"X1.5"	50.8	38.1	76.2	1.65	1.65
2.5"X1.0"	63.5	25.4	177.8	1.65	1.65
2.5"X1.5"	63.5	38.1	127	1.65	1.65
2.5"X2.0"	63.5	50.8	76.2	1.65	1.65
3.0"X1.0"	76.2	25.4	228.6	1.65	1.65
3.0"X1.5"	76.2	38.1	177.8	1.65	1.65
3.0"X2.0"	76.2	50.8	127	1.65	1.65
3.0"X2.5"	76.2	63.5	76.2	1.65	1.65
4.0"X1.0"	101.6	25.4	330.2	2.1	1.65
4.0"X1.5"	101.6	38.1	282.5	2.1	1.65
4.0"X2.0"	101.6	50.8	231.7	2.1	1.65
4.0"X2.5"	101.6	63.5	180.9	2.1	1.65
4.0"X3.0"	101.6	76.2	130.1	2.1	1.65

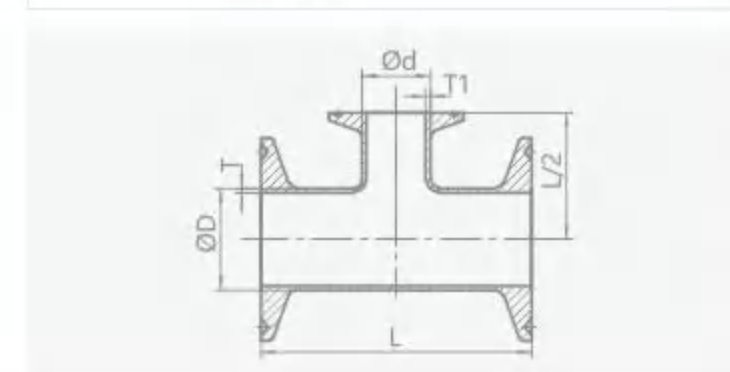
**SANITARY PIPE FITTINGS 3A SERIES**  
卫生级管件**3A**系列



夹式等径长三通 / Clamp Long Equal Tee			
Size	ØD	L	T
1/2"	12.7	120.6	1.65
3/4"	19.1	120.6	1.65
1.0"	25.4	120.6	1.65
1.25"	31.8	135.4	1.65
1.5"	38.1	139.8	1.65
2.0"	50.8	177.8	1.65
2.5"	63.5	177.8	1.65
3.0"	76.2	190.6	1.65
4.0"	101.6	228.4	2.1
6.0"	152.4	328.8	2.77

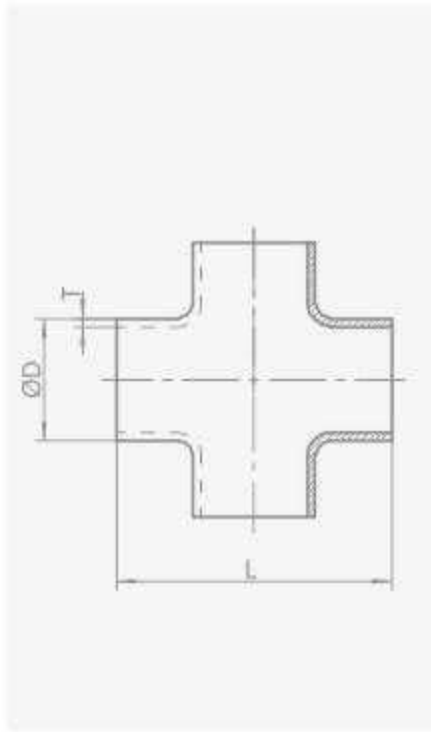


夹式变径长三通 / Clamp Long Reducing Tee					
Size	ØD	Ød	L	T	T1
1.5"x1.0"	38.1	25.4	139.8	1.65	1.65
2.0"X1.0"	50.8	25.4	177.8	1.65	1.65
2.0"X1.5"	50.8	38.1	177.8	1.65	1.65
2.5"X1.0"	63.5	25.4	177.8	1.65	1.65
2.5"X1.5"	63.5	38.1	177.8	1.65	1.65
2.5"X2.0"	63.5	50.8	177.8	1.65	1.65
3.0"X1.0"	76.2	25.4	190.6	1.65	1.65
3.0"X1.5"	76.2	38.1	190.6	1.65	1.65
3.0"X2.0"	76.2	50.8	190.6	1.65	1.65
3.0"X2.5"	76.2	63.5	190.6	1.65	1.65
4.0"X1.0"	101.6	25.4	228.4	2.1	1.65
4.0"X1.5"	101.6	38.1	228.4	2.1	1.65
4.0"X2.0"	101.6	50.8	228.4	2.1	1.65
4.0"X2.5"	101.6	63.5	228.4	2.1	1.65
4.0"X3.0"	101.6	76.2	228.4	2.1	1.65

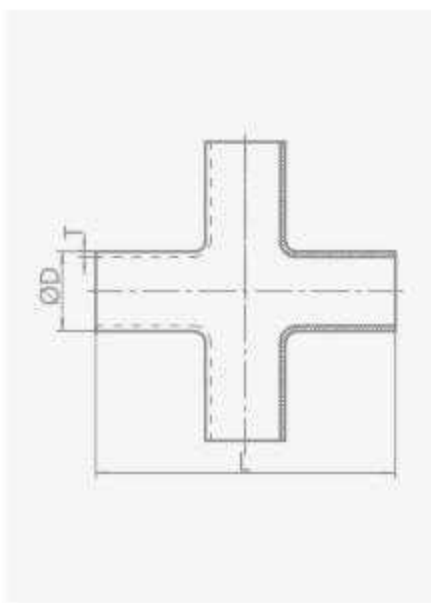


夹式变径短三通 / Clamp Short Equal Tee					
Size	ØD	Ød	L	T	T1
1.5"x1.0"	38.1	25.4	109.6	1.65	1.65
2.0"X1.0"	50.8	25.4	130.2	1.65	1.65
2.0"X1.5"	50.8	38.1	130.2	1.65	1.65
2.5"X1.0"	63.5	25.4	144.4	1.65	1.65
2.5"X1.5"	63.5	38.1	144.4	1.65	1.65
2.5"X2.0"	63.5	50.8	144.4	1.65	1.65
3.0"X1.0"	76.2	25.4	157.2	1.65	1.65
3.0"X1.5"	76.2	38.1	157.2	1.65	1.65
3.0"X2.0"	76.2	50.8	157.2	1.65	1.65
3.0"X2.5"	76.2	63.5	157.2	1.65	1.65
4.0"X1.0"	101.6	25.4	206.2	2.1	1.65
4.0"X1.5"	101.6	38.1	206.2	2.1	1.65
4.0"X2.0"	101.6	50.8	206.2	2.1	1.65
4.0"X2.5"	101.6	63.5	206.2	2.1	1.65
4.0"X3.0"	101.6	76.2	206.2	2.1	1.65

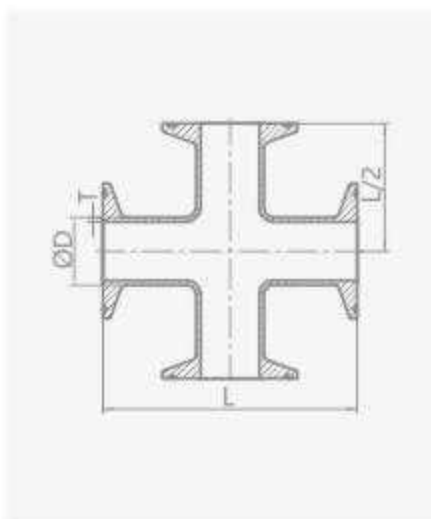
**SANITARY PIPE FITTINGS 3A SERIES**  
卫生级管件3A系列



焊式等径短四通 / Weld Short 4 Way Cross			
Size	ØD	L	T
1/2"	12.7	38.1	1.65
3/4"	19.1	57.2	1.65
1.0"	25.4	57.2	1.65
1.5"	38.1	84.2	1.65
2.0"	50.8	104.8	1.65
2.5"	63.5	119	1.65
3.0"	76.2	131.8	1.65
4.0"	101.6	174.6	2.1
6.0"	152.4	254	2.77

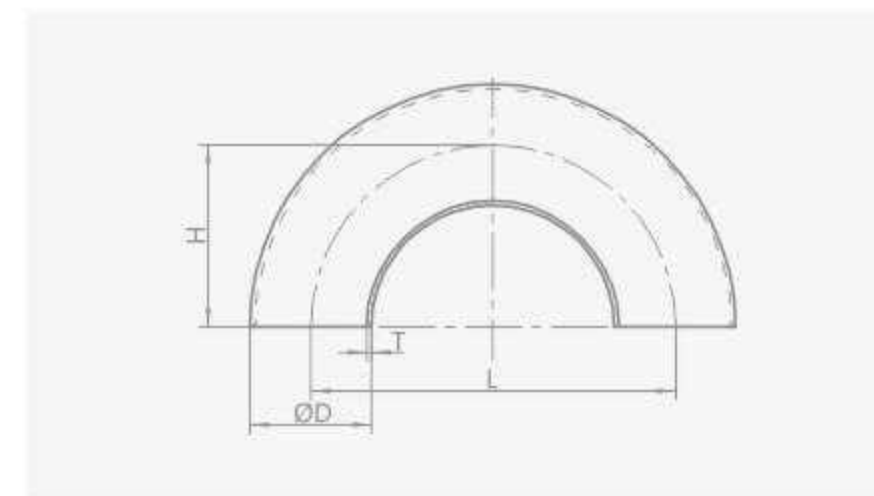


焊式等径长四通 / Weld Long 4 Way Cross			
Size	ØD	L	T
1/2"	12.7	95.2	1.65
3/4"	19.1	95.2	1.65
1.0"	25.4	95.2	1.65
1.5"	38.1	114.4	1.65
2.0"	50.8	152.4	1.65
2.5"	63.5	152.4	1.65
3.0"	76.2	165.2	1.65
4.0"	101.6	196.8	2.1

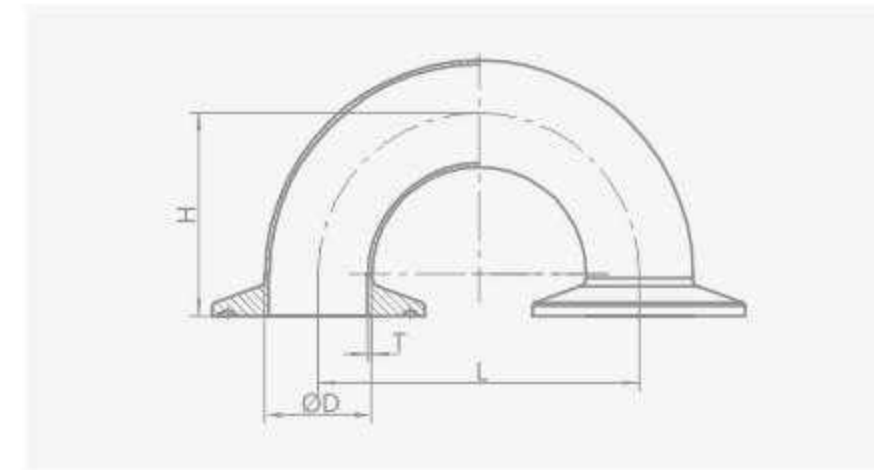


夹式等径长四通 / Clamp Long 4 Way Cross			
Size	ØD	L	T
1"	25.4	120.6	1.65
1.5"	38.1	139.8	1.65
2.0"	50.8	177.8	1.65
2.5"	63.5	177.8	1.65
3.0"	76.2	190.6	1.65
4.0"	101.6	228.4	2.1

**SANITARY PIPE FITTINGS 3A SERIES**  
卫生级管件3A系列

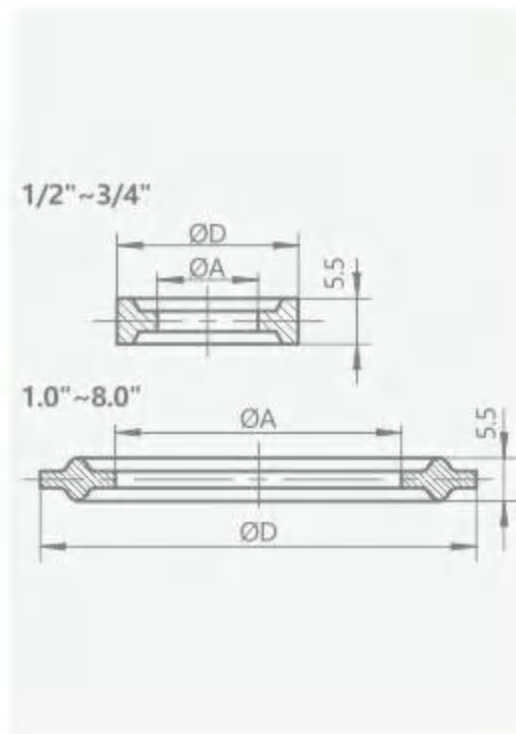


180°焊式U型弯头 / 180° Weld U-Type Elbow				
Size	ØD	L	H	T
1/2"	12.7	38.1	19.1	1.65
3/4"	19.1	57.2	28.6	1.65
1.0"	25.4	76.2	38.1	1.65
1.5"	38.1	114.4	57.2	1.65
2.0"	50.8	152.4	76.2	1.65
2.5"	63.5	190.5	95.3	1.65
3.0"	76.2	228.6	114.3	1.65
4.0"	101.6	304.8	152.4	2.1
6.0"	152.4	457.2	228.6	2.77

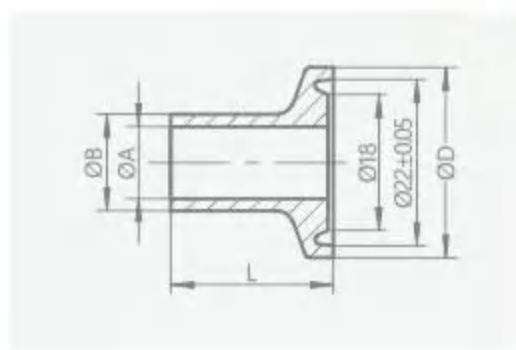


180°夹式U型弯头 / 180° Clamp U-Type Elbow				
Size	ØD	L	H	T
1/2"	12.7	38.1	31.8	1.65
3/4"	19.1	57.2	41.3	1.65
1.0"	25.4	76.2	50.8	1.65
1.5"	38.1	114.4	69.9	1.65
2.0"	50.8	152.4	88.9	1.65
2.5"	63.5	190.5	108	1.65
3.0"	76.2	228.6	127	1.65
4.0"	101.6	304.8	168.2	2.1
6.0"	152.4	457.2	250.1	2.77

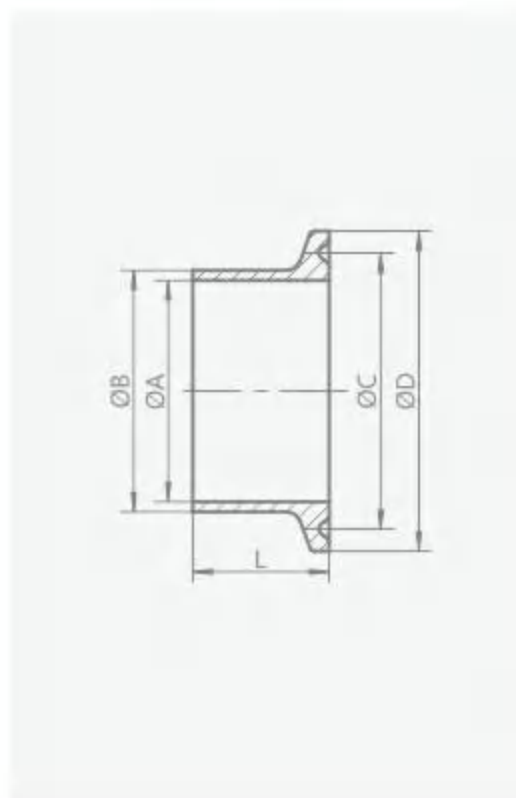
**SANITARY PIPE FITTINGS 3A SERIES**  
卫生级管件**3A**系列



13PG平形卡箍垫圈 / Ferrule Gasket		
Size	ØA	ØD
1/2"	9.9	21.8
3/4"	16.3	21.8
1.0"	22.7	50
1.5"	35.9	50
2.0"	48.6	63.5
2.5"	61.3	76.2
3.0"	74	88.9
4.0"	98.6	118
6.0"	147.8	165
8.0"	198.6	216

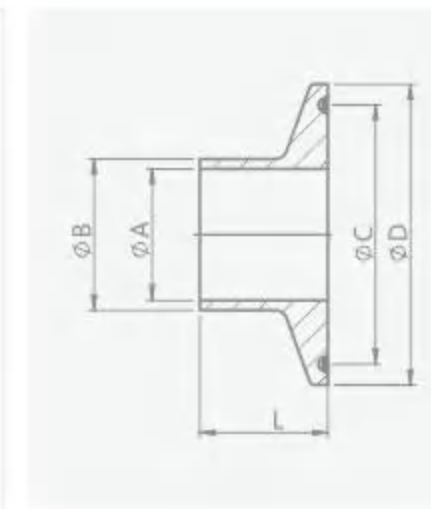


14MPW卡箍接头 / 14 MPW Ferrule				
Size	ØA	ØB	ØD	L
1/2"	8.2	12.7	25.2	41.3
3/4"	14.6	19.1	25.2	41.3

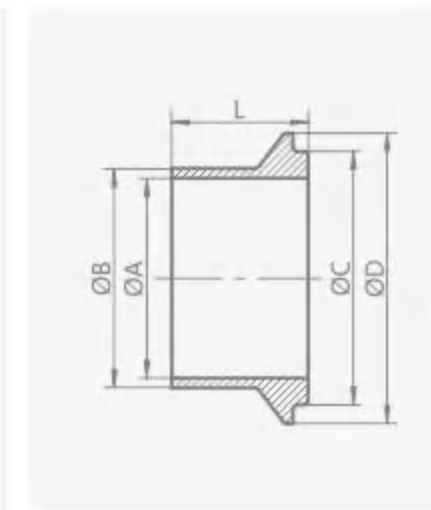


14MPW长厚型卡箍接头 / 14 MPW Ferrule							
Size	ØA	ØB	ØC	ØD	L		
					系列I	系列II	系列III
1/2"	8.2	12.7	-	25.2	54	-	-
3/4"	14.6	19.1	-	25.2	54	-	-
1.0"	22.1	29.5	43.5	50.5	41.3	-	-
1.5"	34.8	42.6	43.5	50.5	41.3	-	-
2.0"	47.5	55.7	56.5	64	44.5	-	-
2.5"	60.2	68.8	70.5	77.5	44.5	-	-
3.0"	72.9	81.9	83.5	91	46.1	-	-
4.0"	97.4	108.1	110	119	54	-	-
6.0"	146.3	157.3	156.4	166.9	63.5	-	-
8.0"	197.1	208.1	207.2	217.7	63.5	-	-

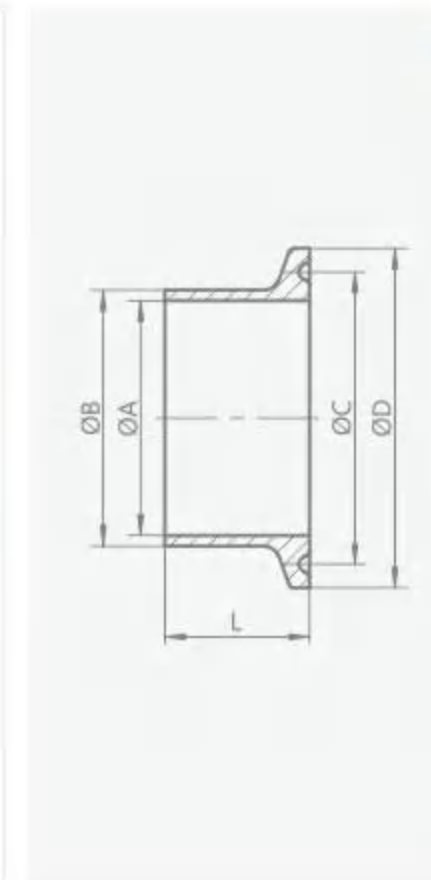
**SANITARY PIPE FITTINGS 3A SERIES**  
卫生级管件**3A**系列



14RMP扩展式卡箍接头 / 14 RMP Expand Ferrule					
Size	ØA	ØB	ØC	ØD	L
1.0"	25.5	29.5	43.5	50.5	19.1
1.5"	38.2	42.6	43.5	50.5	28.6
2.0"	50.9	55.7	56.5	64	33.3
2.5"	63.6	68.8	70.5	77.5	34.9
3.0"	76.3	81.8	83.5	91	36.5
4.0"	101.7	108.1	110	119	38.1

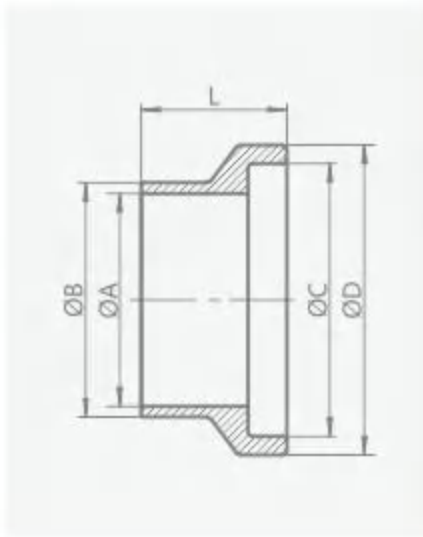


14WI-I型平接头 / 14WI - I Ferrule					
Size	ØA	ØB	ØC	ØD	L
1.0"	22.1	25.7	31.5	50.7	19.8
1.5"	34.8	38.4	44.2	50.7	23.8
2.0"	47.5	51.1	56.9	67.1	26.2
2.5"	60.2	63.8	69.6	84	29.4
3.0"	72.9	76.5	83.8	98.3	30.9
4.0"	97.4	101.9	109.1	123.7	34.1



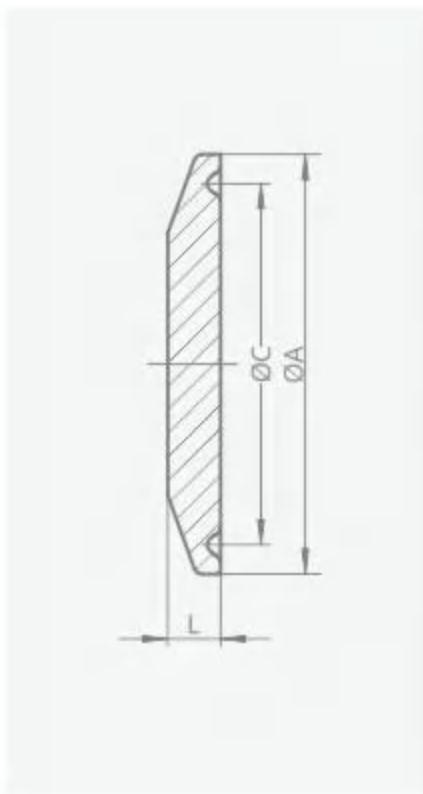
Size	ØA	ØB	ØC	ØD	L		
					系列I	系列II	系列III
1/4"	3.9	6.4	-	25.2	12.7	-	-
1/2"	9.4	12.7	-	25.2	12.7	21.5	28.6
3/4"	15.8	19.1	-	25.2	12.7	21.5	28.6
3/4"	15.8	19.1	43.5	50.5	12.7	21.5	28.6
1.0"	22.1	25.4	43.5	50.5	12.7	21.5	28.6
1.25"	28.5	31.8	43.5	50.5	12.7	21.5	28.6
1.5"	34.8	38.1	43.5	50.5	12.7	21.5	28.6
2.0"	47.5	50.8	56.5	64	12.7	21.5	28.6
2.5"	60.2	63.5	70.5	77.5	12.7	21.5	28.6
3.0"	72.9	76.2	83.5	91	12.7	21.5	28.6
4.0"	97.4	101.6	110	119	15.8	21.5	28.6
5.0"	122.8	127	134.4	145	21.5	28.6	38.1
6.0"	146.8	152.4	156.4	166.9	21.5	28.6	38.1
8.0"	197.7	203.3	207.2	217.7	21.5	28.6	38.1
10.0"	247.2	254.1	258	268.5	21.5	28.6	38.1
12.0"	298	304.9	308.8	319.3	21.5	28.6	38.1

**SANITARY PIPE FITTINGS 3A SERIES**  
卫生级管件3A系列



15WI-II型平接头 / 15 WI-II Liner

Size	ØA	ØB	ØC	ØD	L
1.0"	22.1	25.7	31.9	50.7	19.8
1.5"	34.8	38.4	44.6	50.7	23.8
2.0"	47.5	51.1	57.3	67.1	26.2
2.5"	60.2	63.8	70	84.0	29.4
3.0"	72.9	76.5	84.2	98.3	30.9
4.0"	97.4	101.9	109.6	123.7	34.1



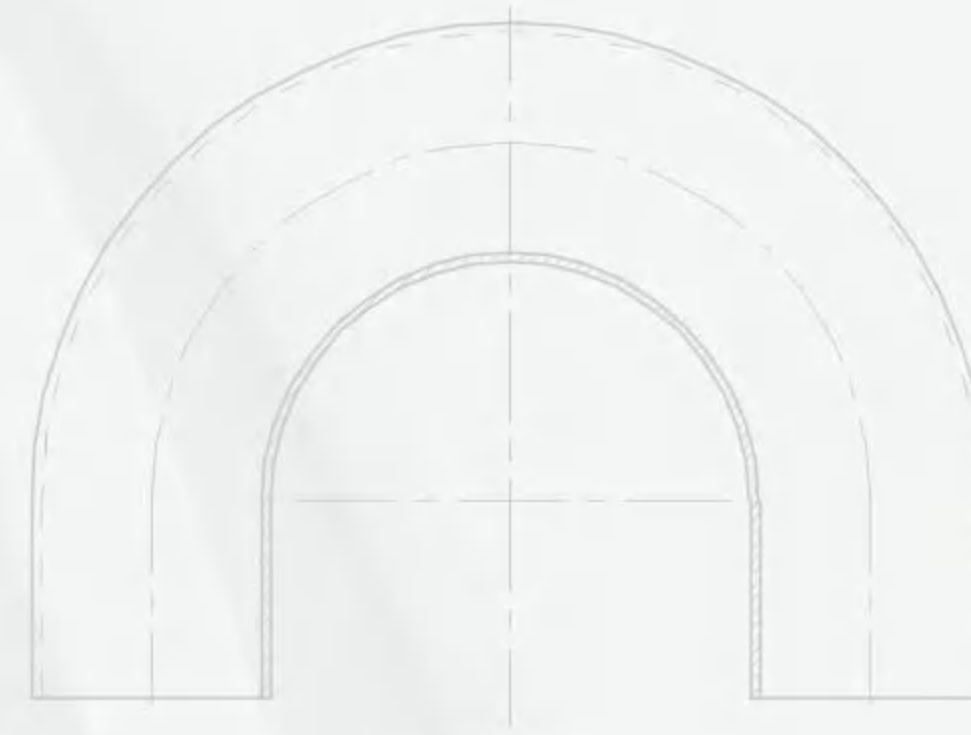
16AMP卡箍盲板 / 16AMP End Cap

Size	A	ØC	E	L
1/4"-3/4"	25.2	-	3.6	5
1.0"-1.5"	50.5	43.5	2.85	6.3
2.0"	64	56.5	2.85	6.3
2.5"	77.5	70.5	2.85	6.3
3.0"	91	83.5	2.85	6.3
4.0"	119	110	2.85	7.9
6.0"	166.9	156.4	5.58	11.1
8.0"	217.7	207.2	5.58	11.1
10.0"	268.5	258	5.58	11.1
12.0"	319.3	308.8	5.58	11.1

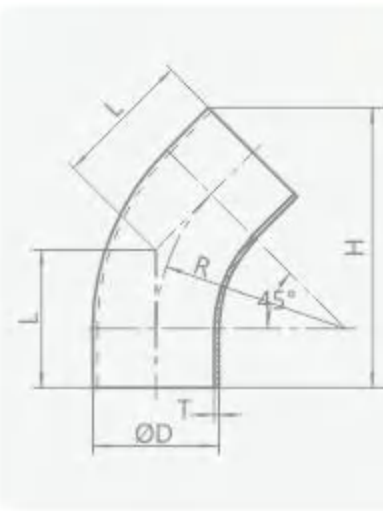


**SANITARY  
PIPE FITTINGS  
AS SERIES**  
卫生级管件AS系列

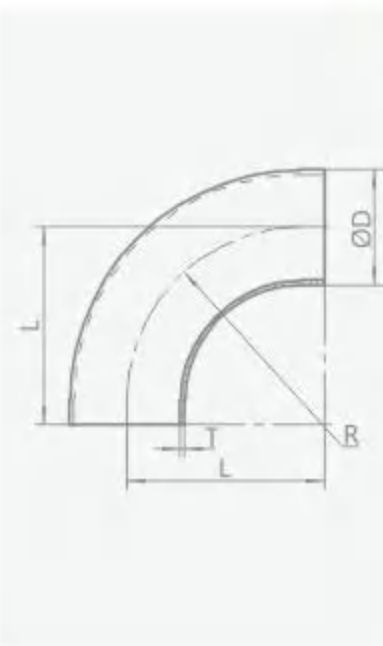
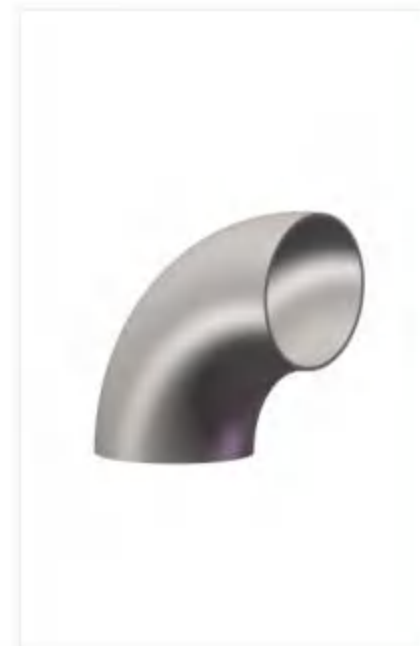
02



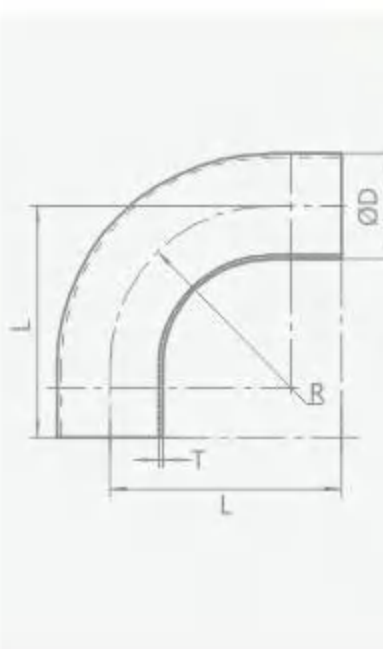
**SANITARY PIPE FITTINGS AS SERIES**  
卫生级管件AS系列



45°焊式弯头 / 45° Weld Elbow					
Size	ØD	L	R	H	T
1/2"	12.7	37.9	19.1	69.2	1.6
3/4"	19.1	41.9	28.6	78.2	1.6
1.0"	25.4	45.8	38.1	87.1	1.6
1.25"	31.8	49.8	47.7	96.2	1.6
1.5"	38.1	53.7	57.2	105	1.6
2.0"	50.8	61.6	76.2	123.1	1.6
2.5"	63.5	69.5	95.3	140.8	1.6
3.0"	76.2	77.3	114.3	158.9	1.6
4.0"	101.6	93.1	152.4	194.9	2

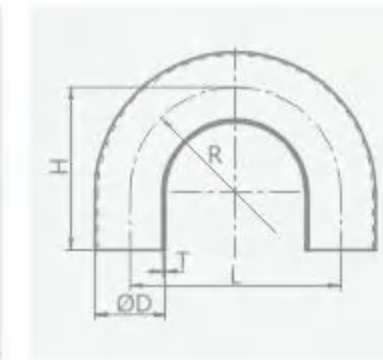


90°焊式短弯头 / 90° Weld Short Elbow				
Size	ØD	L	R	T
1/2"	12.7	19.1	19.1	1.6
3/4"	19.1	28.6	28.6	1.6
1.0"	25.4	38.1	38.1	1.6
1.25"	31.8	47.7	47.7	1.6
1.5"	38.1	57.2	57.2	1.6
2.0"	50.8	76.2	76.2	1.6
2.5"	63.5	95.3	95.3	1.6
3.0"	76.2	114.3	114.3	1.6
4.0"	101.6	152.4	152.4	2
5.0"	127	190.5	190.5	2.77
6.0"	152.4	228.6	228.6	2.77
8.0"	203.2	304.8	304.8	2.77

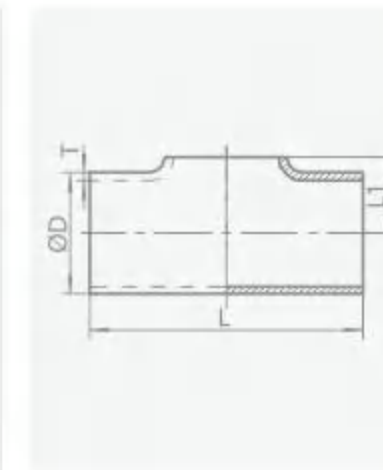


90°焊式长弯头 / 90° Weld Long Elbow				
Size	ØD	L	R	T
1/2"	12.7	49.1	19.1	1.6
3/4"	19.1	58.6	28.6	1.6
1.0"	25.4	68.1	38.1	1.6
1.25"	31.8	77.7	47.7	1.6
1.5"	38.1	87.2	57.2	1.6
2.0"	50.8	106.2	76.2	1.6
2.5"	63.5	125.3	95.3	1.6
3.0"	76.2	144.3	114.3	1.6
4.0"	101.6	182.4	152.4	2
5.0"	127	230.5	190.5	2.77
6.0"	152.4	268.6	228.5	2.77
8.0"	203.2	344.8	304.8	2.77

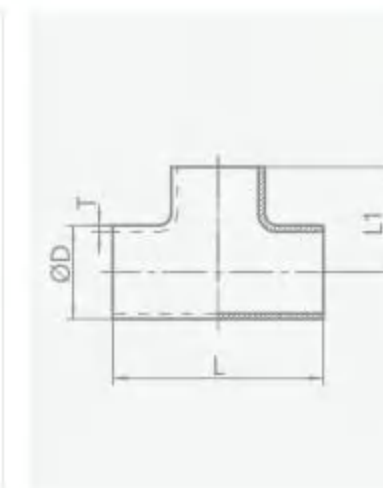
**SANITARY PIPE FITTINGS AS SERIES**  
卫生级管件AS系列



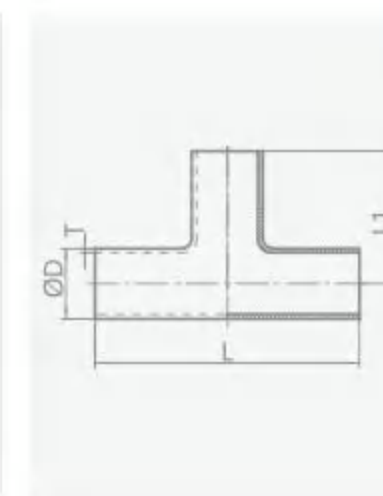
焊式U型弯头 (加直端) / 180° Weld Elbow (With Straight End)					
Size	ØD	L	R	H	T
1.0"	25.4	76.2	38.1	68.1	1.6
1.5"	38.1	114.4	57.2	87.2	1.6
2.0"	50.8	152.4	76.2	106.2	1.6
2.5"	63.5	190.6	95.3	125.3	1.6
3.0"	76.2	228.6	114.3	144.3	1.6
4.0"	101.6	304.8	152.4	182.4	2



焊式等径平口三通 / Weld Equal Tee Without Straight End				
Size	ØD	L	L1	T
1/2"	12.7	38.2	8.4	1.6
3/4"	19.1	57.2	11.6	1.6
1.0"	25.4	76.2	14.7	1.6
1.25"	31.8	95.4	17.9	1.6
1.5"	38.1	114.4	21	1.6
2.0"	50.8	152.4	27.4	1.6
2.5"	63.5	190.6	33.8	1.6
3.0"	76.2	228.6	40.1	1.6
4.0"	101.6	304.8	52.8	2



焊式等径短三通 / Weld Short Equal Tee				
Size	ØD	L	L1	T
1/2"	12.7	38.2	19.1	1.6
3/4"	19.1	57.2	28.6	1.6
1.0"	25.4	76.2	38.1	1.6
1.25"	31.8	95.4	47.7	1.6
1.5"	38.1	114.4	57.2	1.6
2.0"	50.8	152.4	76.2	1.6
2.5"	63.5	190.6	95.3	1.6
3.0"	76.2	228.6	114.3	1.6
4.0"	101.6	304.8	152.4	2
5.0"	127	381	190.5	2.77
6.0"	152.4	457.2	228.6	2.77
8.0"	203.2	609.6	304.8	2.77

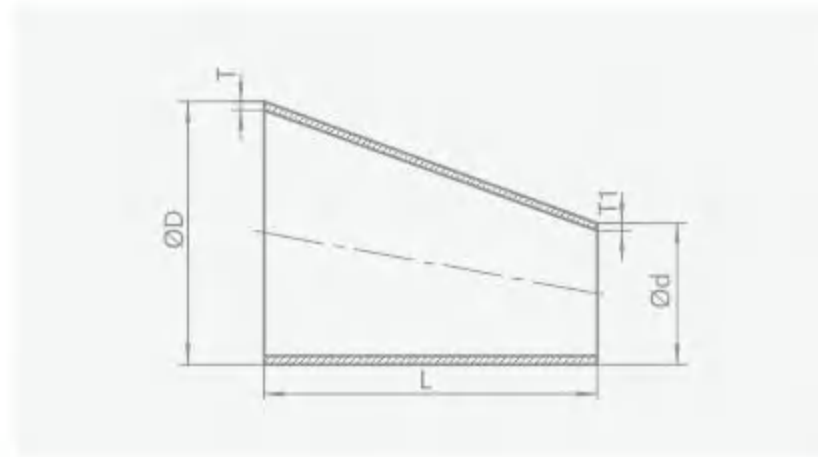


焊式等径长三通 / Weld Long Equal Tee				
Size	ØD	L	L1	T
1/2"	12.7	98.2	49.1	1.6
3/4"	19.1	117.2	58.6	1.6
1.0"	25.4	136.2	68.1	1.6
1.25"	31.8	155.4	77.7	1.6
1.5"	38.1	174.4	87.2	1.6
2.0"	50.8	212.4	106.2	1.6
2.5"	63.5	250.6	125.3	1.6
3.0"	76.2	288.6	144.3	1.6
4.0"	101.6	364.8	182.4	2
5.0"	127	461	230.5	2.77
6.0"	152.4	537.2	268.6	2.77
8.0"	203.2	689.6	344.8	2.77

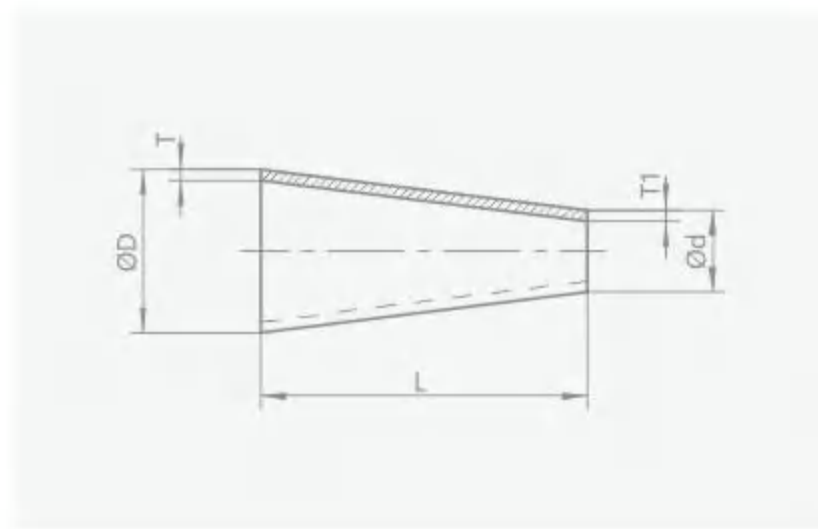
**SANITARY PIPE FITTINGS AS SERIES**  
卫生级管件AS系列



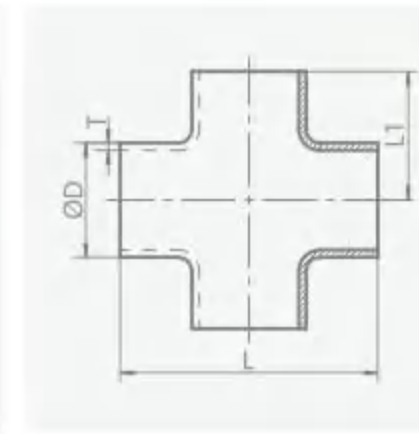
焊式偏心大小头 / Weld Eccentric Reducer					
Size	ØD	Ød	L	T	T1
1.0"x3/4"	25.4	19.1	25.4	1.6	1.6
1.5"x1.25"	38.1	31.8	38.1	1.6	1.6
1.5"x1.0"	38.1	25.4	38.1	1.6	1.6
2.0"x3/4"	50.8	19.1	50.8	1.6	1.6
2.0"x1.0"	50.8	25.4	50.8	1.6	1.6
2.0"x1.25"	50.8	31.8	50.8	1.6	1.6
2.0"x1.5"	50.8	38.1	50.8	1.6	1.6
2.5"x1.0"	63.5	25.4	63.5	1.6	1.6
2.5"x1.5"	63.5	38.1	63.5	1.6	1.6
2.5"x2.0"	63.5	50.8	63.5	1.6	1.6
3.0"x1.0"	76.2	25.4	76.2	1.6	1.6
3.0"x1.5"	76.2	38.1	76.2	1.6	1.6
3.0"x2.0"	76.2	50.8	76.2	1.6	1.6
3.0"x2.5"	76.2	63.5	76.2	1.6	1.6
4.0"x2.0"	101.6	50.8	101.6	2	1.6
4.0"x2.5"	101.6	63.5	101.6	2	1.6
4.0"x3.0"	101.6	76.2	101.6	2	1.6
5.0"x3.0"	127	76.2	127	2	1.6
5.0"x4.0"	127	101.6	127	2	2
6.0"x2.0"	152.4	50.8	152.4	2	1.6
6.0"x2.5"	152.4	63.5	152.4	2	1.6
6.0"x3.0"	152.4	76.2	152.4	2	1.6
6.0"x4.0"	152.4	101.6	152.4	2	2
6.0"x5.0"	152.4	127	152.4	2	2



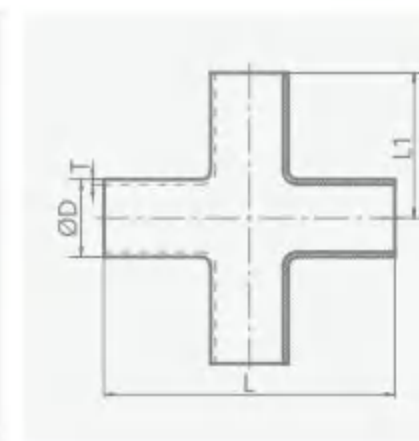
焊式同心大小头 / Weld Eccentric Reducer					
Size	ØD	Ød	L	T	T1
3/4"x1/2"	19.1	12.7	19.1	1.6	1.6
1.0"x1/2"	25.4	12.7	25.4	1.6	1.6
1.0"x3/4"	25.4	19.1	25.4	1.6	1.6
1.25"x3/4"	31.8	19.1	31.8	1.6	1.6
1.25"x1.0"	31.8	25.4	31.8	1.6	1.6
1.5"x3/4"	38.1	19.1	38.1	1.6	1.6
1.5"x1.0"	38.1	25.4	38.1	1.6	1.6
1.5"x1.25"	38.1	31.8	38.1	1.6	1.6
2.0"x1/2"	50.8	12.7	50.8	1.6	1.6
2.0"x3/4"	50.8	19.1	50.8	1.6	1.6
2.0"x1.0"	50.8	25.4	50.8	1.6	1.6
2.0"x1.25"	50.8	31.8	50.8	1.6	1.6
2.0"x1.5"	50.8	38.1	50.8	1.6	1.6
2.5"x1.0"	63.5	25.4	63.5	1.6	1.6
2.5"x1.25"	63.5	31.8	63.5	1.6	1.6
2.5"x1.5"	63.5	38.1	63.5	1.6	1.6
2.5"x2.0"	63.5	50.8	63.5	1.6	1.6
3.0"x1.0"	76.2	25.4	76.2	1.6	1.6
3.0"x1.25"	76.2	31.8	76.2	1.6	1.6
3.0"x1.5"	76.2	38.1	76.2	1.6	1.6
3.0"x2.0"	76.2	50.8	76.2	1.6	1.6
3.0"x2.5"	76.2	63.5	76.2	1.6	1.6
4.0"x1.0"	101.6	25.4	101.6	2	1.6
4.0"x1.25"	101.6	31.8	101.6	2	1.6
4.0"x1.5"	101.6	38.1	101.6	2	1.6
4.0"x2.0"	101.6	50.8	101.6	2	1.6
4.0"x2.5"	101.6	63.5	101.6	2	1.6
4.0"x3.0"	101.6	76.2	101.6	2	1.6
5.0"x2.0"	127	50.8	127	2	1.6
5.0"x3.0"	127	76.2	127	2	1.6
5.0"x4.0"	127	101.6	127	2	2
6.0"x2.0"	152.4	50.8	152.4	2	1.6
6.0"x2.5"	152.4	63.5	152.4	2	1.6
6.0"x3.0"	152.4	76.2	152.4	2	1.6
6.0"x4.0"	152.4	101.6	152.4	2	2
6.0"x5.0"	152.4	127	152.4	2	2



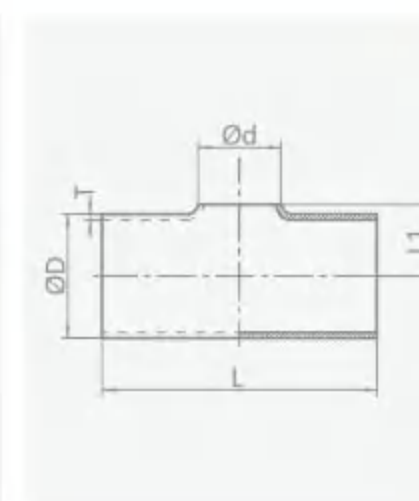
**SANITARY PIPE FITTINGS AS SERIES**  
卫生级管件AS系列



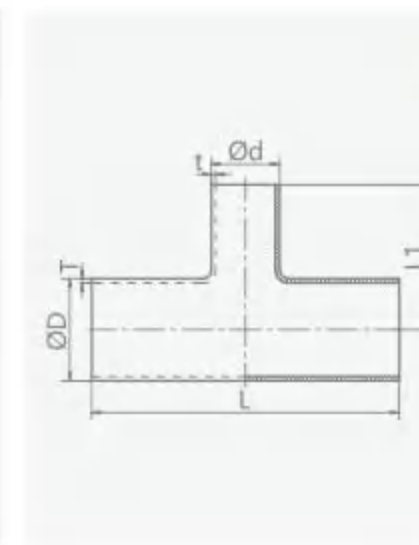
9WS焊式等径短四通 / Weld Short 4 Way Equal Cross				
Size	ØD	L	L1	T
1/2"	12.7	38.2	19.1	1.6
3/4"	19.1	57.2	28.6	
1.0"	25.4	76.2	38.1	
1.25"	31.8	95.4	47.7	
1.5"	38.1	114.0	57.0	
2.0"	50.8	152.4	76.2	
2.5"	63.5	190.0	95.0	
3.0"	76.2	288.4	144.2	
4.0"	101.6	304.8	152.4	2.0



9W焊式等径长四通 / Weld Long 4 Way Equal Cross				
Size	ØD	L	L1	T
1/2"	12.7	98.2	49.1	1.6
3/4"	19.1	117.2	58.6	
1.0"	25.4	136.2	68.1	
1.25"	31.8	155.4	77.7	
1.5"	38.1	174.2	87.2	
2.0"	50.8	212.4	106.2	
2.5"	63.5	250.6	125.3	
3.0"	76.2	288.6	144.3	
4.0"	101.6	364.8	182.4	2.0



焊式变径平口短三通 / Weld Reducing Tee Without Straight End					
Size	ØD	Ød	L	L1	T
1.5"x1.0"	38.1	25.4	114.0	21.0	1.6
2.0"x1.0"	50.8	25.4	152.4	27.4	
2.0"x1.5"	50.8	38.1	152.4	27.4	
2.5"x1.5"	63.5	38.1	190.0	33.8	
2.5"x2.0"	63.5	50.8	190.0	33.8	
3.0"x1.5"	76.2	38.1	288.4	40.1	
3.0"x2.0"	76.2	50.8	288.4	40.1	
3.0"x2.5"	76.2	63.5	288.4	40.1	
4.0"x2.0"	101.6	50.8	304.8	52.8	2.0
4.0"x2.5"	101.6	63.5	304.8	52.8	
4.0"x3.0"	101.6	76.2	304.8	52.8	

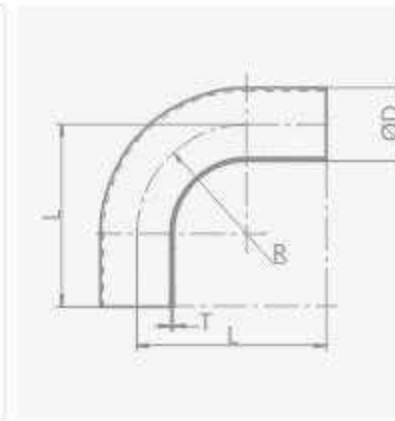
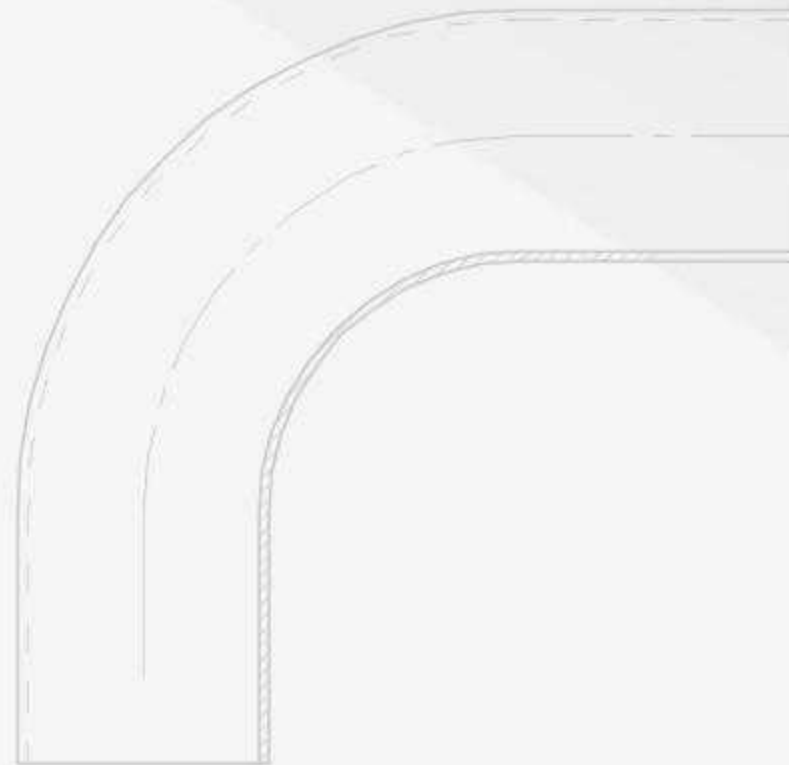


焊式变径长三通 / Weld Long Reducing Tee					
Size	ØD	Ød	L	L1	T
1.5"x1.0"	38.1	25.4	174.2	87.1	1.6
2.0"x1.0"	50.8	25.4	212.4	106.2	1.6
2.0"x1.5"	50.8	38.1	212.4	106.2	1.6
2.5"x1.5"	63.5	38.1	250.6	125.3	1.6
2.5"x2.0"	63.5	50.8	250.6	125.3	1.6
3.0"x1.5"	76.2	38.1	288.6	144.3	1.6
3.0"x2.0"	76.2	50.8	288.6	144.3	1.6
3.0"x2.5"	76.2	63.5	288.6	144.3	1.6
4.0"x2.0"	101.6	50.8	364.8	182.4	2.0
4.0"x2.5"	101.6	63.5	364.8	182.4	2.0
4.0"x3.0"	101.6	76.2	364.8	182.4	2.0

SANITARY PIPE FITTINGS BPE SERIES  
卫生级管件BPE系列

SANITARY  
PIPE FITTINGS  
BPE SERIES  
卫生级管件BPE系列

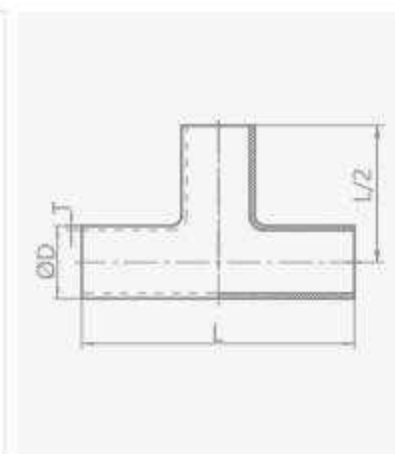
03



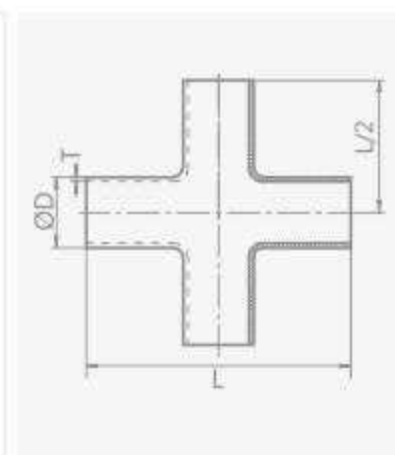
90°焊式长弯头 / 90° Weld Long Elbow				
Size	ØD	L	T	R
1/2"	12.7	76.2	1.65	19.1
3/4"	19.1	76.2	1.65	28.5
1.0"	25.4	76.2	1.65	38.1
1.5"	38.1	95.3	1.65	57.2
2.0"	50.8	120.7	1.65	76.2
2.5"	63.5	139.7	1.65	95.3
3.0"	76.2	158.8	1.65	114.3
4.0"	101.6	203.2	2.1	152.4
6.0"	152.4	292.1	2.77	228.6



45°焊式长弯头 / 45° Weld Long Elbow				
Size	ØD	L	T	R
1/2"	12.7	57.2	1.65	19.1
3/4"	19.1	57.2	1.65	28.5
1.0"	25.4	57.2	1.65	38.1
1.5"	38.1	63.5	1.65	57.2
2.0"	50.8	76.2	1.65	76.2
2.5"	63.5	85.7	1.65	95.3
3.0"	76.2	92.1	1.65	114.3
4.0"	101.6	114.3	2.1	152.4
6.0"	152.4	158.8	2.77	288.6



焊式等径三通 / Weld Equal Tee			
Size	ØD	L	T
1/2"	12.7	95.2	1.65
3/4"	19.1	101.6	1.65
1.0"	25.4	108	1.65
1.5"	38.1	120.6	1.65
2.0"	50.8	146	1.65
2.5"	63.5	158.8	1.65
3.0"	76.2	171.4	1.65
4.0"	101.6	209.6	2.1
6.0"	152.4	285.8	2.77



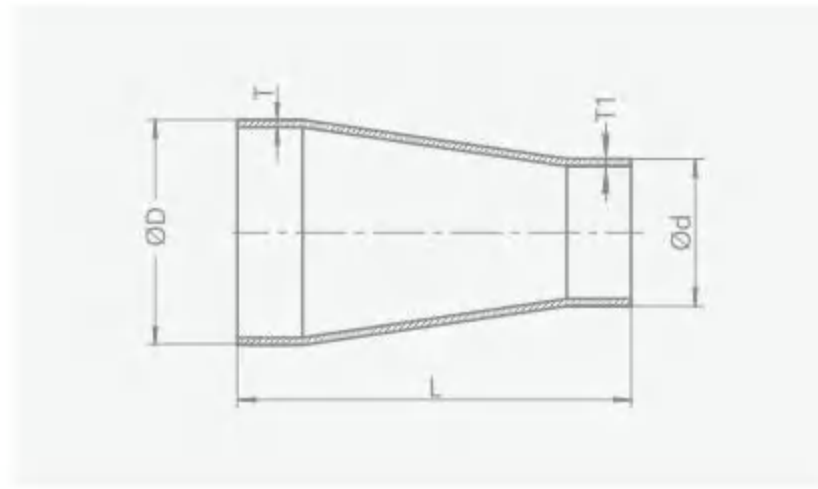
焊式等径四通 / Weld 4 Way Equal Cross			
Size	ØD	L	T
1/2"	12.7	95.2	1.65
3/4"	19.1	101.6	1.65
1.0"	25.4	108	1.65
1.5"	38.1	120.6	1.65
2.0"	50.8	146	1.65
2.5"	63.5	158.8	1.65
3.0"	76.2	171.4	1.65
4.0"	101.6	209.6	2.1
6.0"	152.4	285.8	2.77



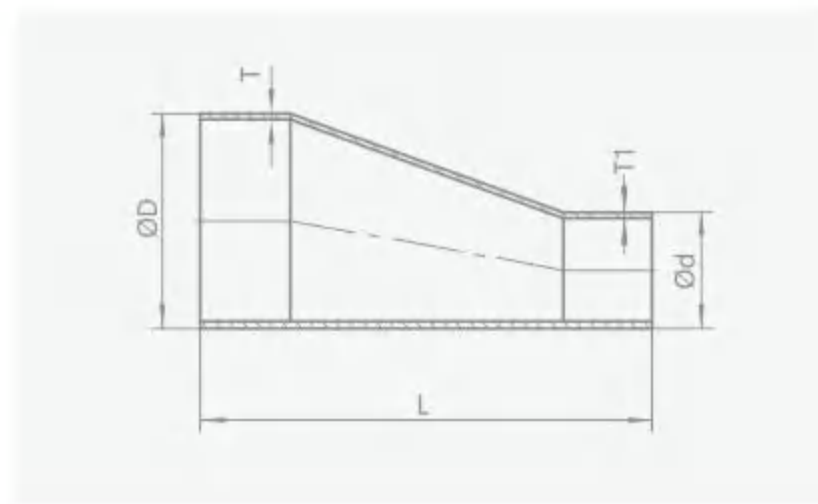
**SANITARY PIPE FITTINGS BPE SERIES**  
卫生级管件**BPE**系列



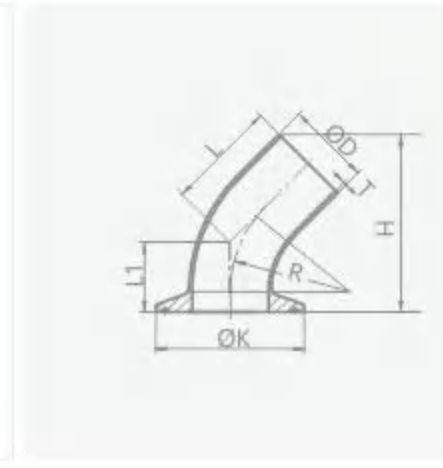
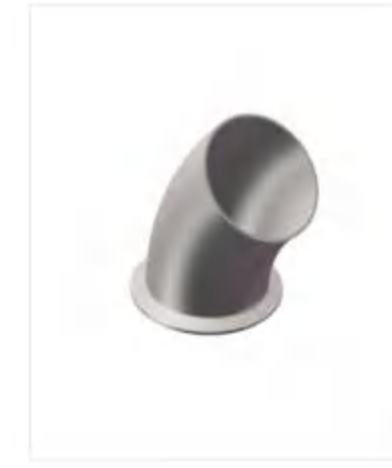
焊式同心大小头 (加直端) / Weld Concentric Reducer (With Straight End)					
Size	ØD	Ød	L	T	T1
3/4"X1/2"	19.1	12.7	101.6	1.65	1.65
1.0"X1/2"	25.4	12.7	114.3	1.65	1.65
1.0"X3/4"	25.4	19.1	101.6	1.65	1.65
1.5"X1/2"	38.1	12.7	139.7	1.65	1.65
1.5"X3/4"	38.1	19.1	127	1.65	1.65
1.5"X1.0"	38.1	25.4	127	1.65	1.65
2.0"X1/2"	50.8	12.7	196.9	1.65	1.65
2.0"X3/4"	50.8	19.1	184.2	1.65	1.65
2.0"X1.0"	50.8	25.4	184.2	1.65	1.65
2.0"X1.5"	50.8	38.1	133.4	1.65	1.65
2.5"X1.5"	63.5	38.1	184.2	1.65	1.65
2.5"X2.0"	63.5	50.8	139.7	1.65	1.65
3.0"X1.5"	76.2	38.1	235	1.65	1.65
3.0"X2.0"	76.2	50.8	190.5	1.65	1.65
3.0"X2.5"	76.2	63.5	139.7	1.65	1.65
4.0"X1.5"	101.6	38.1	342.9	2.1	1.65
4.0"X2.0"	101.6	50.8	298.5	2.1	1.65
4.0"X2.5"	101.6	63.5	247.7	2.1	1.65
4.0"X3.0"	101.6	76.2	196.9	2.1	1.65
6.0"X3.0"	152.4	76.2	254	2.77	1.65
6.0"X4.0"	152.4	101.6	254	2.77	2.1



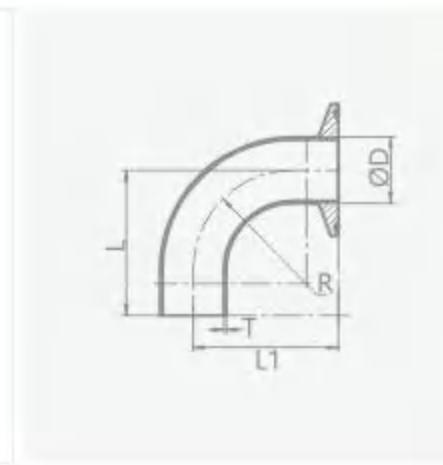
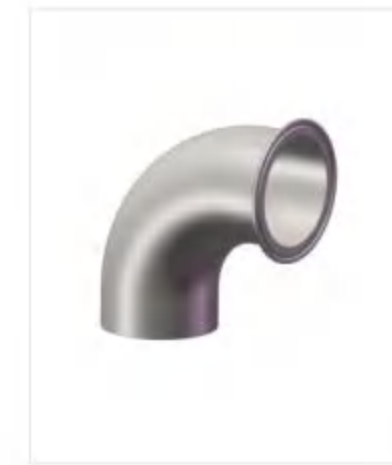
焊式偏心大小头 (加直端) / Weld Eccentric Reducer (With Straight End)					
Size	ØD	Ød	L	T	T1
3/4"X1/2"	19.1	12.7	101.6	1.65	1.65
1.0"X1/2"	25.4	12.7	114.3	1.65	1.65
1.0"X3/4"	25.4	19.1	101.6	1.65	1.65
1.5"X1/2"	38.1	12.7	139.7	1.65	1.65
1.5"X3/4"	38.1	19.1	127	1.65	1.65
1.5"X1.0"	38.1	25.4	127	1.65	1.65
2.0"X1/2"	50.8	12.7	196.9	1.65	1.65
2.0"X3/4"	50.8	19.1	184.2	1.65	1.65
2.0"X1.0"	50.8	25.4	184.2	1.65	1.65
2.0"X1.5"	50.8	38.1	133.4	1.65	1.65
2.5"X1.5"	63.5	38.1	184.2	1.65	1.65
2.5"X2.0"	63.5	50.8	139.7	1.65	1.65
3.0"X1.5"	76.2	38.1	235	1.65	1.65
3.0"X2.0"	76.2	50.8	190.5	1.65	1.65
3.0"X2.5"	76.2	63.5	139.7	1.65	1.65
4.0"X1.5"	101.6	38.1	342.9	2.1	1.65
4.0"X2.0"	101.6	50.8	298.5	2.1	1.65
4.0"X2.5"	101.6	63.5	247.7	2.1	1.65
4.0"X3.0"	101.6	76.2	196.9	2.1	1.65
6.0"X3.0"	152.4	76.2	254	2.77	1.65
6.0"X4.0"	152.4	101.6	254	2.77	2.1



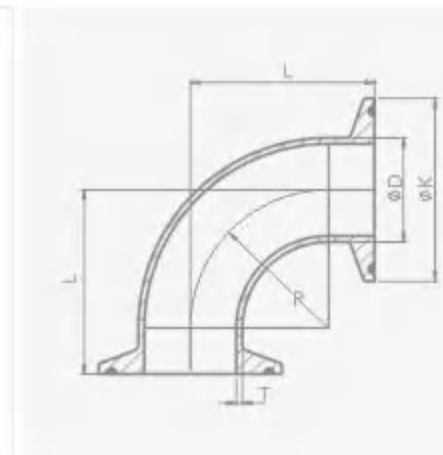
**SANITARY PIPE FITTINGS BPE SERIES**  
卫生级管件**BPE**系列



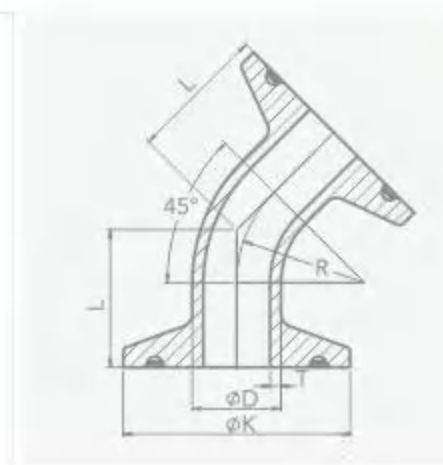
45°焊夹式弯头/ Clamp-weld 45° Elbow							
Size	ØD	ØK	L	L1	R	H	T
1/2"	12.7	25.2	57.2	25.4	19.1	79.6	1.65
3/4"	19.1	25.2	57.2	25.4	28.5	81.9	1.65
1.0"	25.4	50.5	57.2	28.6	38.1	86.3	1.65
1.5"	38.1	50.5	63.5	36.5	57.2	103	1.65
2.0"	50.8	64	76.2	44.5	76.2	125.6	1.65
2.5"	63.5	77.5	85.7	52.4	95.25	145.1	1.65
3.0"	76.2	91	92.1	60.3	114.3	161.6	1.65
4.0"	101.6	119	114.3	79.4	152.4	206.3	2.1
6.0"	152.4	166.87	158.8	133.4	228.6	299.5	2.77



90°焊夹式弯头/ Clamp-weld 90° Elbow					
Size	ØD	L	L1	R	T
1/2"	12.7	76.2	41.3	19.1	1.65
3/4"	19.1	76.2	41.3	28.5	1.65
1.0"	25.4	76.2	50.8	38.1	1.65
1.5"	38.1	95.3	69.9	57.2	1.65
2.0"	50.8	120.7	88.9	76.2	1.65
2.5"	63.5	139.7	108	95.3	1.65
3.0"	76.2	158.5	127	114.3	1.65
4.0"	101.6	203.2	168.3	152.4	2.1
6.0"	152.4	292.1	266.7	228.6	2.77



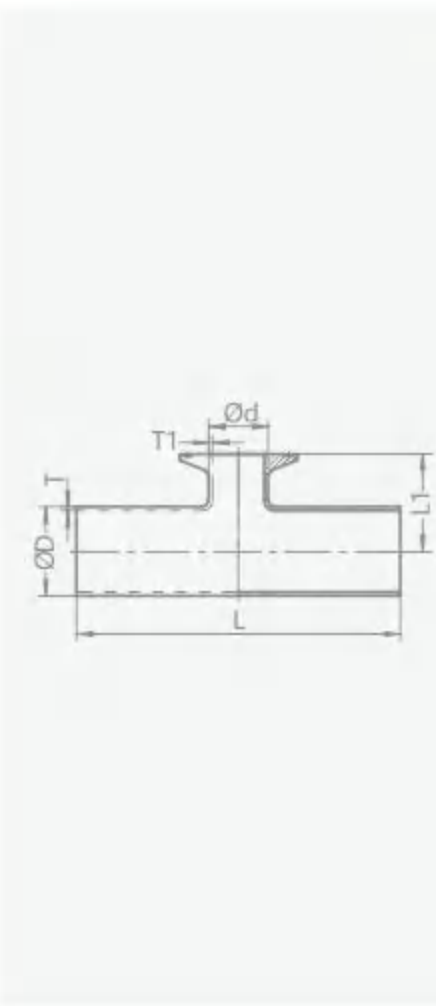
90°夹式弯头/ 90° Clamp Elbow					
Size	ØD	ØK	L	R	T
1/2"	12.7	25.2	41.3	19.1	1.65
3/4"	19.1	25.2	41.3	28.5	1.65
1.0"	25.4	50.5	50.8	38.1	1.65
1.5"	38.1	50.5	69.9	57.2	1.65
2.0"	50.8	64	88.9	76.2	1.65
2.5"	63.5	77.5	108	95.3	1.65
3.0"	76.2	91	127	114.3	1.65
4.0"	101.6	119	168.3	152.4	2.1
6.0"	152.4	166.87	266.7	228.6	2.77



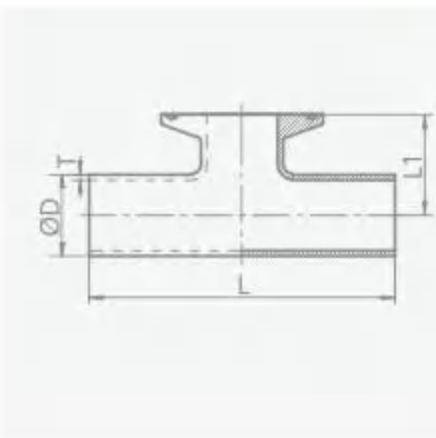
45°夹式弯头/ 45° Clamp Elbow					
Size	ØD	ØK	R	L	T
1/2"	12.7	25.2	19.1	25.4	1.65
3/4"	19.1	25.2	28.5	25.4	1.65
1.0"	25.4	50.5	38.1	28.6	1.65
1.5"	38.1	50.5	57.2	36.5	1.65
2.0"	50.8	64	76.2	44.5	1.65
2.5"	63.5	77.5	95.3	52.4	1.65
3.0"	76.2	91	114.3	60.3	1.65
4.0"	101.6	119	152.4	79.4	2.1
6.0"	152.4	166.87	228.6	133.4	2.77

**SANITARY PIPE FITTINGS BPE SERIES**  
卫生级管件BPE系列

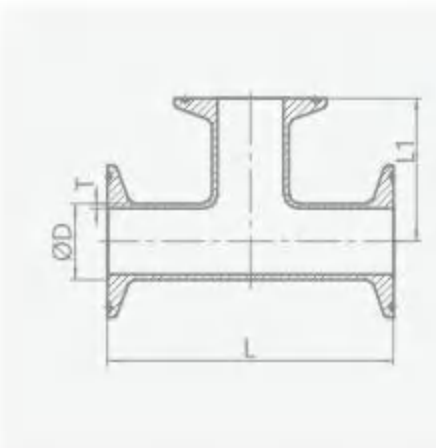
**SANITARY PIPE FITTINGS BPE SERIES**  
卫生级管件BPE系列



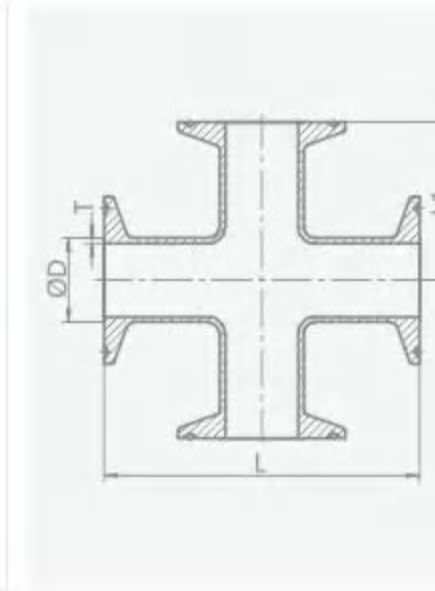
单夹式变径平口三通 / Short Outlet Weld-clamp Reducing Tee						
Size	ØD	Ød	L	L1	T	T1
3/4"X1/2"	19.1	12.7	101.6	24.3	1.65	1.65
1.0"X1/2"	25.4	12.7	108	27.4	1.65	1.65
1.0"X3/4"	25.4	19.1	108	27.4	1.65	1.65
1.5"X1/2"	38.1	12.7	120.6	33.8	1.65	1.65
1.5"X3/4"	38.1	19.1	120.6	33.8	1.65	1.65
1.5"X1.0"	38.1	25.4	120.6	33.8	1.65	1.65
2.0"X1/2"	50.8	12.7	146	40.1	1.65	1.65
2.0"X3/4"	50.8	19.1	146	40.1	1.65	1.65
2.0"X1.0"	50.8	25.4	146	40.1	1.65	1.65
2.0"X1.5"	50.8	38.1	146	40.1	1.65	1.65
2.5"X1/2"	63.5	12.7	158.8	46.5	1.65	1.65
2.5"X3/4"	63.5	19.1	158.8	46.5	1.65	1.65
2.5"X1.0"	63.5	25.4	158.8	46.5	1.65	1.65
2.5"X1.5"	63.5	38.1	158.8	46.5	1.65	1.65
2.5"X2.0"	63.5	50.8	158.8	46.5	1.65	1.65
3.0"X1/2"	76.2	12.7	171.4	52.8	1.65	1.65
3.0"X3/4"	76.2	19.1	171.4	52.8	1.65	1.65
3.0"X1.0"	76.2	25.4	171.4	52.8	1.65	1.65
3.0"X1.5"	76.2	38.1	171.4	52.8	1.65	1.65
3.0"X2.0"	76.2	50.8	171.4	52.8	1.65	1.65
3.0"X2.5"	76.2	63.5	171.4	52.8	1.65	1.65
4.0"X1.0"	101.6	25.4	209.6	68.6	2.1	1.65
4.0"X1.5"	101.6	38.1	209.6	68.6	2.1	1.65
4.0"X2.0"	101.6	50.8	209.6	68.6	2.1	1.65
4.0"X2.5"	101.6	63.5	209.6	68.6	2.1	1.65
4.0"X3.0"	101.6	76.2	209.6	68.6	2.1	1.65



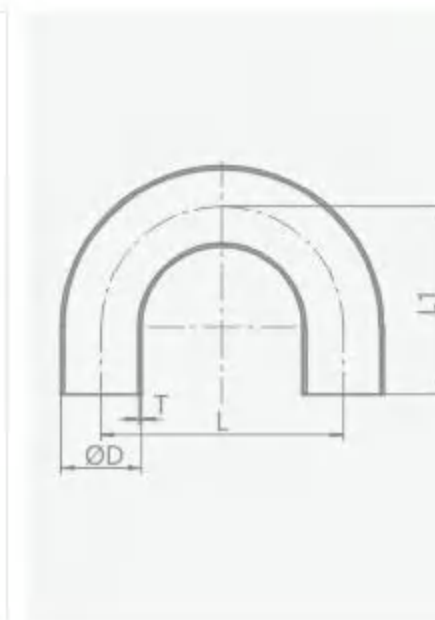
单夹式等径平口三通 / Short Outlet Weld-clamp Equal Tee					
Size	ØD	ØK	L	L1	T
1/2"	12.7	25.2	95.2	21	1.65
3/4"	19.1	25.2	101.6	24.3	1.65
1.0"	25.4	50.5	108	27.4	1.65
1.5"	38.1	50.5	120.6	33.8	1.65
2.0"	50.8	64	146	40.1	1.65
2.5"	63.5	77.5	158.8	46.5	1.65
3.0"	76.2	91	171.4	52.8	1.65
4.0"	101.6	119	209.6	68.6	2.1
6.0"	152.4	166.8	285.8	99.7	2.77



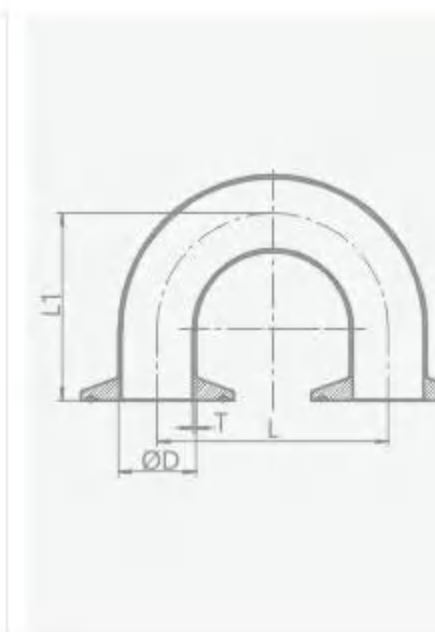
夹式等径三通 / Clamp Equal Tee				
Size	ØD	L	L1	T
1/2"	12.7	114.4	57.2	1.65
3/4"	19.1	120.6	60.3	1.65
1.0"	25.4	133.4	66.7	1.65
1.5"	38.1	146	73	1.65
2.0"	50.8	171.4	85.7	1.65
2.5"	63.5	184.2	92.1	1.65
3.0"	76.2	196.8	98.4	1.65
4.0"	101.6	241.4	120.7	2.1
6.0"	152.4	362.0	181.0	2.77



夹式等径四通 / Clamp 4 Way Equal Cross				
Size	ØD	L	L1	T
1/2"	12.7	114.4	57.2	1.65
3/4"	19.1	120.6	60.3	1.65
1.0"	25.4	133.4	66.7	1.65
1.5"	38.1	146	73	1.65
2.0"	50.8	171.4	85.7	1.65
2.5"	63.5	184.2	92.1	1.65
3.0"	76.2	196.8	98.4	1.65
4.0"	101.6	241.4	120.7	2.1
6.0"	152.4	362.0	181.0	2.77



焊式U型弯头 / 180° Weld Elbow (U-Type)				
Size	ØD	L	L1	T
1/2"	12.7	114.3	76.2	1.65
3/4"	19.1	114.3	76.2	1.65
1.0"	25.4	76.2	76.2	1.65
1.5"	38.1	114.3	114.3	1.65
2.0"	50.8	152.4	127	1.65
2.5"	63.5	190.5	146.1	1.65
3.0"	76.2	228.6	165.1	1.65
4.0"	101.6	304.8	215.9	2.1
6.0"	152.4	457.2	292.1	2.77

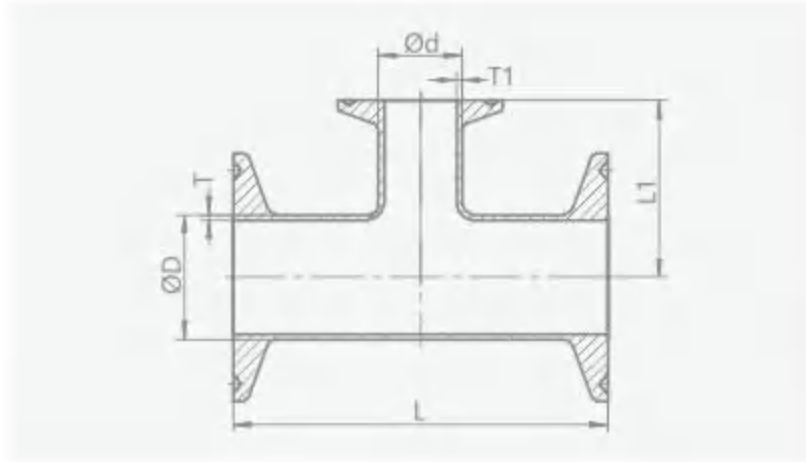


夹式U型弯头 / 180° Clamp Elbow (U-Type)				
Size	ØD	L	L1	T
1/2"	12.7	114.3	88.9	1.65
3/4"	19.1	114.3	88.9	1.65
1.0"	25.4	76.2	88.9	1.65
1.5"	38.1	114.3	127	1.65
2.0"	50.8	152.4	139.7	1.65
2.5"	63.5	190.5	158.8	1.65
3.0"	76.2	228.6	177.8	1.65
4.0"	101.6	304.8	231.7	2.1
6.0"	152.4	457.2	313.6	2.77

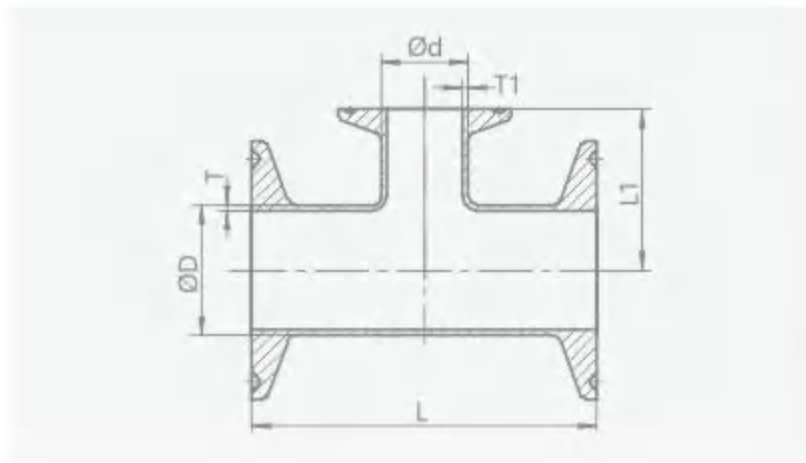
**SANITARY PIPE FITTINGS BPE SERIES**  
卫生级管件**BPE**系列



夹式变径长三通 / Clamp Long Reducing Tee						
Size	ØD	Ød	L	L1	T	T1
3/4"X1/2"	19.1	12.7	127	63.5	1.65	1.65
1.0"X1/2"	25.4	12.7	133.4	66.7	1.65	1.65
1.0"X3/4"	25.4	19.1	133.4	66.7	1.65	1.65
1.5"X1/2"	38.1	12.7	146	73	1.65	1.65
1.5"X3/4"	38.1	19.1	146	73	1.65	1.65
1.5"X1.0"	38.1	25.4	146	73	1.65	1.65
2.0"X1.0"	50.8	25.4	171.4	79.4	1.65	1.65
2.0"X1.5"	50.8	38.1	171.4	79.4	1.65	1.65
2.5"X1.0"	63.5	25.4	184.2	85.7	1.65	1.65
2.5"X1.5"	63.5	38.1	184.2	85.7	1.65	1.65
2.5"X2.0"	63.5	50.8	184.2	85.7	1.65	1.65
3.0"X1.0"	76.2	25.4	196.8	92.1	1.65	1.65
3.0"X1.5"	76.2	38.1	196.8	92.1	1.65	1.65
3.0"X2.0"	76.2	50.8	196.8	92.1	1.65	1.65
3.0"X2.5"	76.2	63.5	196.8	92.1	1.65	1.65
4.0"X1.0"	101.6	25.4	241.4	104.8	2.1	1.65
4.0"X1.5"	101.6	38.1	241.4	104.8	2.1	1.65
4.0"X2.0"	101.6	50.8	241.4	111.1	2.1	1.65
4.0"X2.5"	101.6	63.5	241.4	111.1	2.1	1.65
4.0"X3.0"	101.6	76.2	241.4	111.1	2.1	1.65



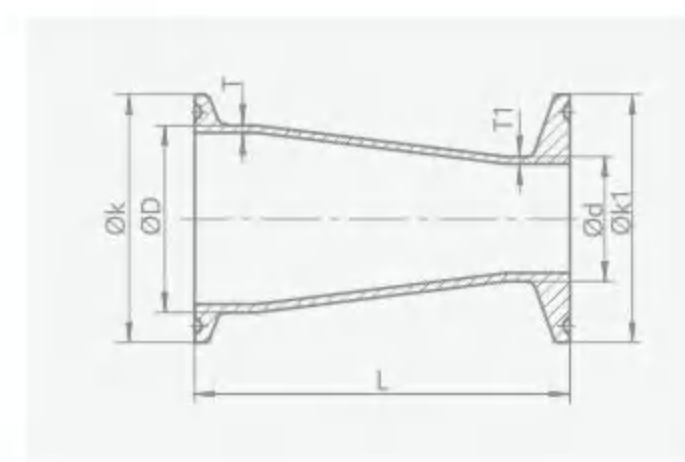
夹式变径平口三通 / Short Outlet Clamp Reducing Tee						
Size	ØD	Ød	L	L1	T	T1
3/4"X1/2"	19.1	12.7	127	24.3	1.65	1.65
1.0"X1/2"	25.4	12.7	133.4	27.4	1.65	1.65
1.0"X3/4"	25.4	19.1	133.4	27.4	1.65	1.65
1.5"X1/2"	38.1	12.7	146	33.8	1.65	1.65
1.5"X3/4"	38.1	19.1	146	33.8	1.65	1.65
1.5"X1.0"	38.1	25.4	146	33.8	1.65	1.65
2.0"X1.0"	50.8	25.4	171.4	40.1	1.65	1.65
2.0"X1.5"	50.8	38.1	171.4	40.1	1.65	1.65
2.5"X1.0"	63.5	25.4	184.2	46.5	1.65	1.65
2.5"X1.5"	63.5	38.1	184.2	46.5	1.65	1.65
2.5"X2.0"	63.5	50.8	184.2	46.5	1.65	1.65
3.0"X1.0"	76.2	25.4	196.8	52.8	1.65	1.65
3.0"X1.5"	76.2	38.1	196.8	52.8	1.65	1.65
3.0"X2.0"	76.2	50.8	196.8	52.8	1.65	1.65
3.0"X2.5"	76.2	63.5	196.8	52.8	1.65	1.65
4.0"X1.0"	101.6	25.4	241.4	68.6	2.1	1.65
4.0"X1.5"	101.6	38.1	241.4	68.6	2.1	1.65
4.0"X2.0"	101.6	50.8	241.4	68.6	2.1	1.65
4.0"X2.5"	101.6	63.5	241.4	68.6	2.1	1.65
4.0"X3.0"	101.6	76.2	241.4	68.6	2.1	1.65



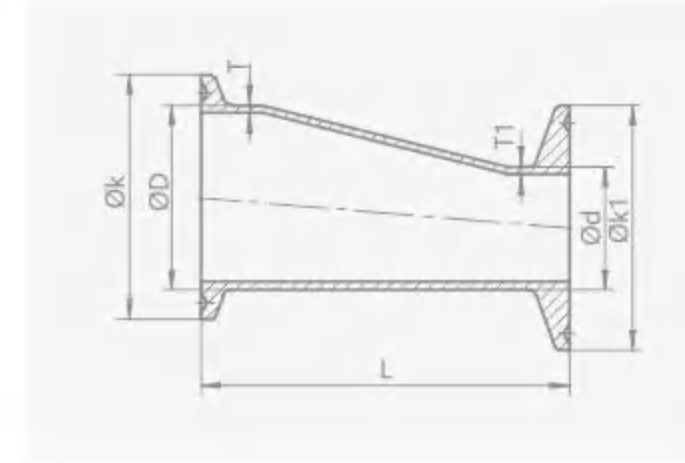
**SANITARY PIPE FITTINGS BPE SERIES**  
卫生级管件**BPE**系列



夹式同心大小头 / Clamp Concentric Reducer							
Size	ØD	Ød	Øk	Øk1	L	T	T1
3/4"X1/2"	19.1	12.7	25.2	25.2	50.8	1.65	1.65
1.0"X1/2"	25.4	12.7	50.5	25.2	63.5	1.65	1.65
1.0"X3/4"	25.4	19.1	50.5	25.2	50.8	1.65	1.65
1.5"X1/2"	38.1	12.7	50.5	25.2	88.9	1.65	1.65
1.5"X3/4"	38.1	19.1	50.5	25.2	76.2	1.65	1.65
1.5"X1.0"	38.1	25.4	50.5	50.5	76.2	1.65	1.65
2.0"X1.0"	50.8	25.4	64	50.5	127	1.65	1.65
2.0"X1.5"	50.8	38.1	64	50.5	76.2	1.65	1.65
2.5"X1.0"	63.5	25.4	77.5	50.5	177.8	1.65	1.65
2.5"X1.5"	63.5	38.1	77.5	50.5	127	1.65	1.65
2.5"X2.0"	63.5	50.8	77.5	64	76.2	1.65	1.65
3.0"X1.0"	76.2	25.4	91	50.5	228.6	1.65	1.65
3.0"X1.5"	76.2	38.1	91	50.5	177.8	1.65	1.65
3.0"X2.0"	76.2	50.8	91	64	127	1.65	1.65
3.0"X2.5"	76.2	63.5	91	77.5	76.2	1.65	1.65
4.0"X1.5"	101.6	38.1	119	50.5	282.6	2.1	1.65
4.0"X2.0"	101.6	50.8	119	64	231.8	2.1	1.65
4.0"X2.5"	101.6	63.5	119	77.5	181	2.1	1.65
4.0"X3.0"	101.6	76.2	119	91	130.2	2.1	1.65



夹式偏心大小头 / Clamp Eccentric Reducer							
Size	ØD	Ød	Øk	Øk1	L	T	T1
3/4"X1/2"	19.1	12.7	25.2	25.2	50.8	1.65	1.65
1.0"X1/2"	25.4	12.7	50.5	25.2	63.5	1.65	1.65
1.0"X3/4"	25.4	19.1	50.5	25.2	50.8	1.65	1.65
1.5"X1/2"	38.1	12.7	50.5	25.2	88.9	1.65	1.65
1.5"X3/4"	38.1	19.1	50.5	25.2	76.2	1.65	1.65
1.5"X1.0"	38.1	25.4	50.5	50.5	76.2	1.65	1.65
2.0"X1.0"	50.8	25.4	64	50.5	127	1.65	1.65
2.0"X1.5"	50.8	38.1	64	50.5	76.2	1.65	1.65
2.5"X1.0"	63.5	25.4	77.5	50.5	177.8	1.65	1.65
2.5"X1.5"	63.5	38.1	77.5	50.5	127	1.65	1.65
2.5"X2.0"	63.5	50.8	77.5	64	76.2	1.65	1.65
3.0"X1.0"	76.2	25.4	91	50.5	228.6	1.65	1.65
3.0"X1.5"	76.2	38.1	91	50.5	177.8	1.65	1.65
3.0"X2.0"	76.2	50.8	91	64	127	1.65	1.65
3.0"X2.5"	76.2	63.5	91	77.5	76.2	1.65	1.65
4.0"X1.5"	101.6	38.1	119	50.5	282.6	2.1	1.65
4.0"X2.0"	101.6	50.8	119	64	231.8	2.1	1.65
4.0"X2.5"	101.6	63.5	119	77.5	181	2.1	1.65
4.0"X3.0"	101.6	76.2	119	91	130.2	2.1	1.65



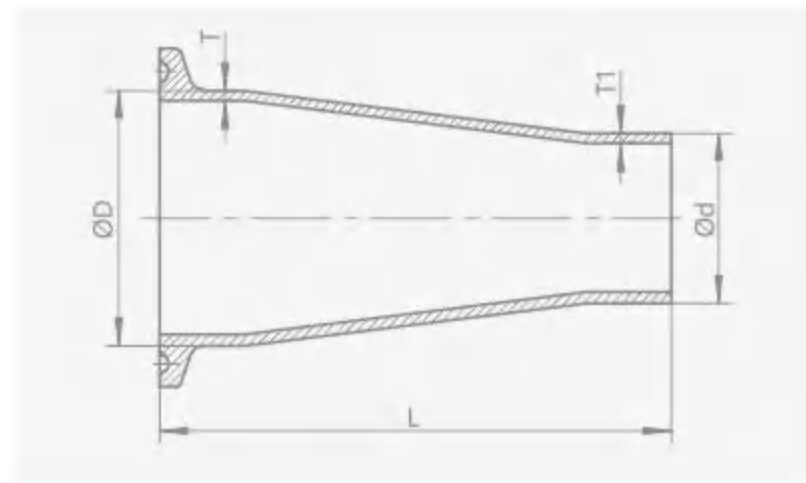
**SANITARY PIPE FITTINGS BPE SERIES**  
卫生级管件BPE系列

**SANITARY PIPE FITTINGS BPE SERIES**  
卫生级管件BPE系列



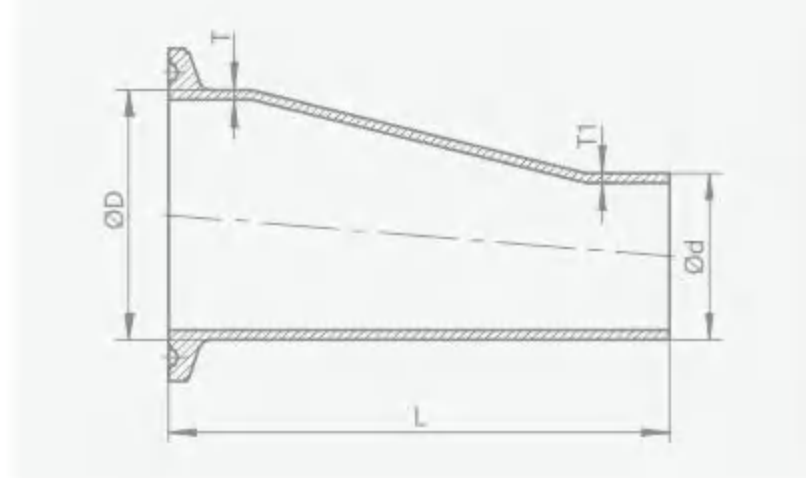
**焊夹式同心大小头(加直端)/Clamp-weld Concentric Reducer (With Straight End)**

Size	ØD	Ød	L	T	T1
3/4"X1/2"	19.1	12.7	76.2	1.65	1.65
1.0"X1/2"	25.4	12.7	88.9	1.65	1.65
1.0"X3/4"	25.4	19.1	76.2	1.65	1.65
1.5"X1/2"	38.1	12.7	114.3	1.65	1.65
1.5"X3/4"	38.1	19.1	101.6	1.65	1.65
1.5"X1.0"	38.1	25.4	101.6	1.65	1.65
2.0"X1/2"	50.8	12.7	165.1	1.65	1.65
2.0"X3/4"	50.8	19.1	152.4	1.65	1.65
2.0"X1.0"	50.8	25.4	152.4	1.65	1.65
2.0"X1.5"	50.8	38.1	101.6	1.65	1.65
2.5"X1.5"	63.5	38.1	152.4	1.65	1.65
2.5"X2.0"	63.5	50.8	107.9	1.65	1.65
3.0"X1.5"	76.2	38.1	203.2	1.65	1.65
3.0"X2.0"	76.2	50.8	158.8	1.65	1.65
3.0"X2.5"	76.2	63.5	108	1.65	1.65
4.0"X1.5"	101.6	38.1	308	2.1	1.65
4.0"X2.0"	101.6	50.8	263.5	2.1	1.65
4.0"X2.5"	101.6	63.5	212.7	2.1	1.65
4.0"X3.0"	101.6	76.2	161.9	2.1	1.65



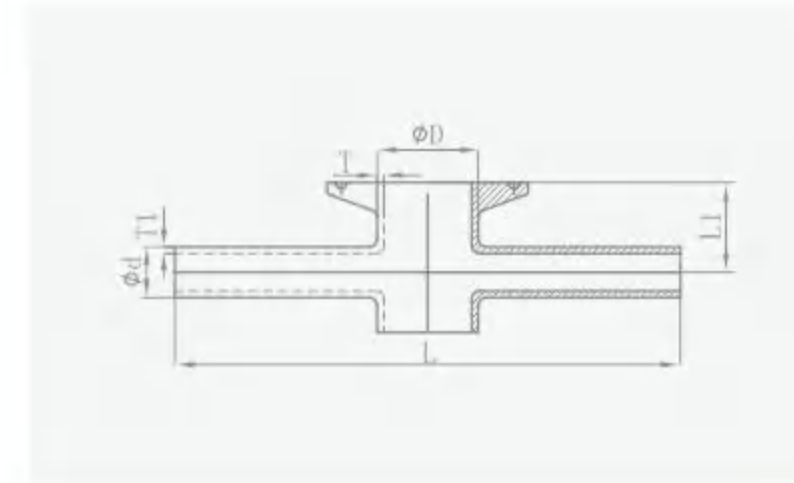
**焊夹式偏心大小头(加直端)/Clamp-weld Eccentric Reducer (With Straight End)**

Size	ØD	Ød	L	T	T1
3/4"X1/2"	19.1	12.7	76.2	1.65	1.65
1.0"X1/2"	25.4	12.7	88.9	1.65	1.65
1.0"X3/4"	25.4	19.1	76.2	1.65	1.65
1.5"X1/2"	38.1	12.7	114.3	1.65	1.65
1.5"X3/4"	38.1	19.1	101.6	1.65	1.65
1.5"X1.0"	38.1	25.4	101.6	1.65	1.65
2.0"X1/2"	50.8	12.7	165.1	1.65	1.65
2.0"X3/4"	50.8	19.1	152.4	1.65	1.65
2.0"X1.0"	50.8	25.4	152.4	1.65	1.65
2.0"X1.5"	50.8	38.1	101.6	1.65	1.65
2.5"X1.5"	63.5	38.1	152.4	1.65	1.65
2.5"X2.0"	63.5	50.8	108	1.65	1.65
3.0"X1.5"	76.2	38.1	203.2	1.65	1.65
3.0"X2.0"	76.2	50.8	158.8	1.65	1.65
3.0"X2.5"	76.2	63.5	108	1.65	1.65
4.0"X1.5"	101.6	38.1	308	2.1	1.65
4.0"X2.0"	101.6	50.8	263.5	2.1	1.65
4.0"X2.5"	101.6	63.5	212.7	2.1	1.65
4.0"X3.0"	101.6	76.2	161.9	2.1	1.65



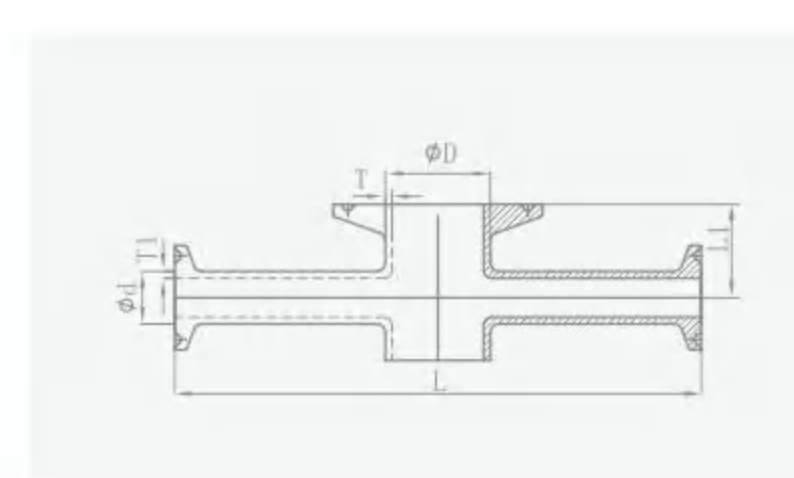
**单夹式变径平口四通 / Short Outlet Single Clamp-Weld 4 Way Reducing Cross**

Size	Ød	ØD	L	L1	T	T1
1.0"X1/2"	12.7	25.4	127	27.4	1.65	1.65
1.0"X3/4"	19.1	25.4	127	27.4	1.65	1.65
1.5"X1/2"	12.7	38.1	127	33.8	1.65	1.65
1.5"X3/4"	19.1	38.1	127	33.8	1.65	1.65
1.5"X1.0"	25.4	38.1	127	33.8	1.65	1.65
2.0"X1/2"	12.7	50.8	139.8	40.1	1.65	1.65
2.0"X3/4"	19.1	50.8	139.8	40.1	1.65	1.65
2.0"X1.0"	25.4	50.8	139.8	40.1	1.65	1.65
2.0"X1.5"	38.1	50.8	139.8	40.1	1.65	1.65
2.5"X1/2"	12.7	63.5	170	46.5	1.65	1.65
2.5"X3/4"	19.1	63.5	170	46.5	1.65	1.65
2.5"X1.0"	25.4	63.5	170	46.5	1.65	1.65
2.5"X1.5"	38.1	63.5	170	46.5	1.65	1.65
2.5"X2.0"	50.8	63.5	170	46.5	1.65	1.65
3.0"X1/2"	12.7	76.2	180	52.8	1.65	1.65
3.0"X3/4"	19.1	76.2	180	52.8	1.65	1.65
3.0"X1.0"	25.4	76.2	180	52.8	1.65	1.65
3.0"X1.5"	38.1	76.2	180	52.8	1.65	1.65
3.0"X2.0"	50.8	76.2	180	52.8	1.65	1.65
3.0"X2.5"	63.5	76.2	180	52.8	1.65	1.65
4.0"X1/2"	12.7	101.6	220	68.6	1.65	1.65
4.0"X3/4"	19.1	101.6	220	68.6	2.1	1.65
4.0"X1.0"	25.4	101.6	220	68.6	2.1	1.65
4.0"X1.5"	38.1	101.6	220	68.6	2.1	1.65
4.0"X2.0"	50.8	101.6	220	68.6	2.1	1.65
4.0"X2.5"	63.5	101.6	220	68.6	2.1	1.65
4.0"X3.0"	76.2	101.6	220	68.6	2.1	1.65



**单焊式变径平口四通 / Short Outlet Single Weld-Clamp 4 Way Reducing Cross**

Size	Ød	ØD	L	L1	T	T1
1.0"X1/2"	12.7	25.4	154	27.4	1.65	1.65
1.0"X3/4"	19.1	25.4	154	27.4	1.65	1.65
1.5"X1/2"	12.7	38.1	152.4	33.8	1.65	1.65
1.5"X3/4"	19.1	38.1	152.4	33.8	1.65	1.65
1.5"X1.0"	25.4	38.1	152.4	33.8	1.65	1.65
2.0"X1/2"	12.7	50.8	165.2	40.1	1.65	1.65
2.0"X3/4"	19.1	50.8	165.2	40.1	1.65	1.65
2.0"X1.0"	25.4	50.8	165.2	40.1	1.65	1.65
2.0"X1.5"	38.1	50.8	165.2	40.1	1.65	1.65
2.5"X1/2"	12.7	63.5	194	46.5	1.65	1.65
2.5"X3/4"	19.1	63.5	194	46.5	1.65	1.65
2.5"X1.0"	25.4	63.5	194	46.5	1.65	1.65
2.5"X1.5"	38.1	63.5	194	46.5	1.65	1.65
2.5"X2.0"	50.8	63.5	194	46.5	1.65	1.65
3.0"X1/2"	12.7	76.2	204	52.8	1.65	1.65
3.0"X3/4"	19.1	76.2	204	52.8	1.65	1.65
3.0"X1.0"	25.4	76.2	204	52.8	1.65	1.65
3.0"X1.5"	38.1	76.2	204	52.8	1.65	1.65
3.0"X2.0"	50.8	76.2	204	52.8	1.65	1.65
3.0"X2.5"	63.5	76.2	204	52.8	1.65	1.65
4.0"X1/2"	12.7	101.6	244	68.6	1.65	1.65
4.0"X3/4"	19.1	101.6	244	68.6	2.1	1.65
4.0"X1.0"	25.4	101.6	244	68.6	2.1	1.65
4.0"X1.5"	38.1	101.6	244	68.6	2.1	1.65
4.0"X2.0"	50.8	101.6	244	68.6	2.1	1.65
4.0"X2.5"	63.5	101.6	244	68.6	2.1	1.65
4.0"X3.0"	76.2	101.6	244	68.6	2.1	1.65

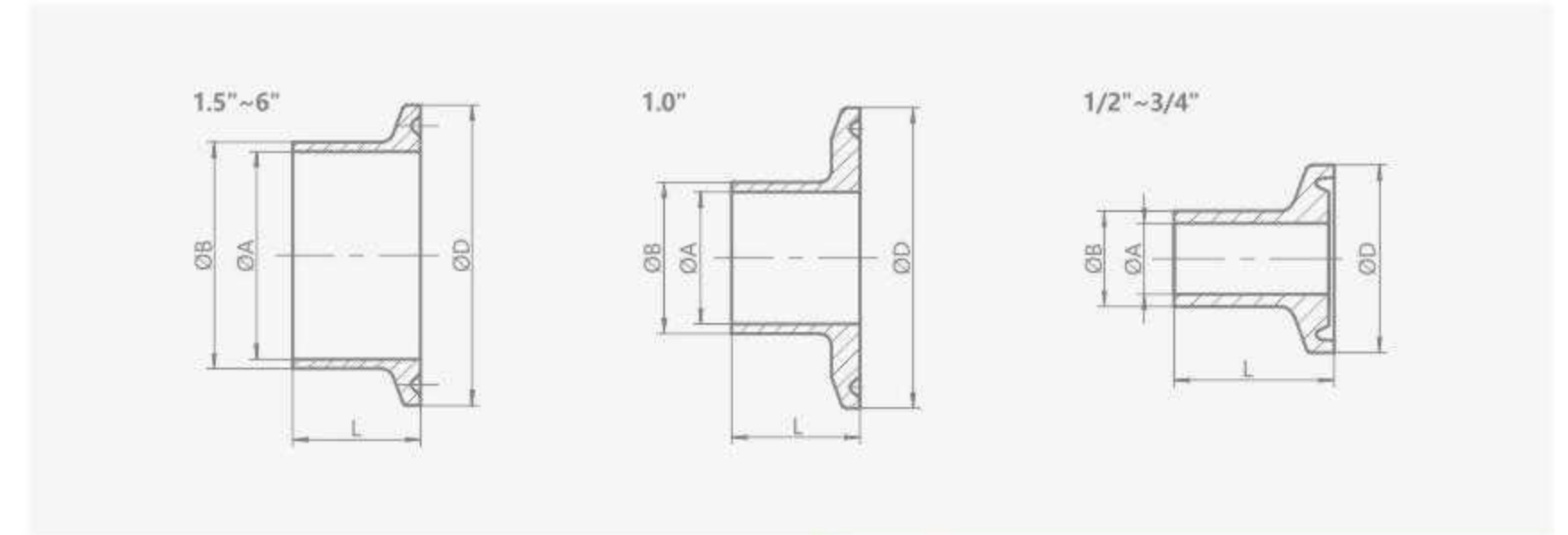
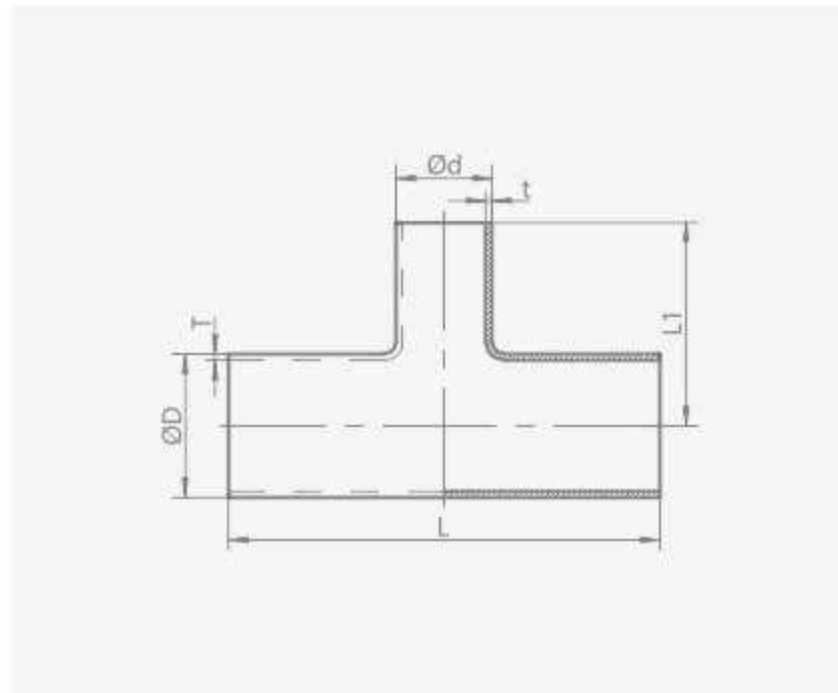


**SANITARY PIPE FITTINGS BPE SERIES**  
卫生级管件**BPE**系列

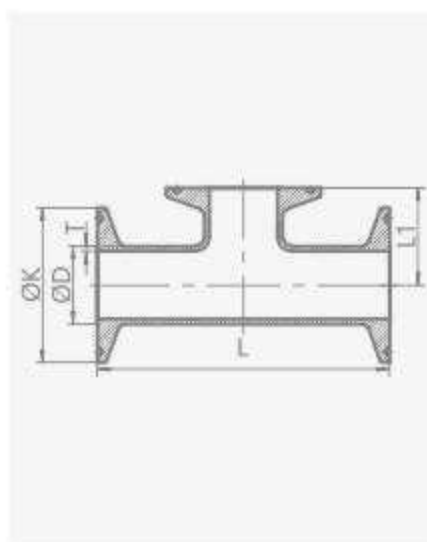
**SANITARY PIPE FITTINGS BPE SERIES**  
卫生级管件**BPE**系列



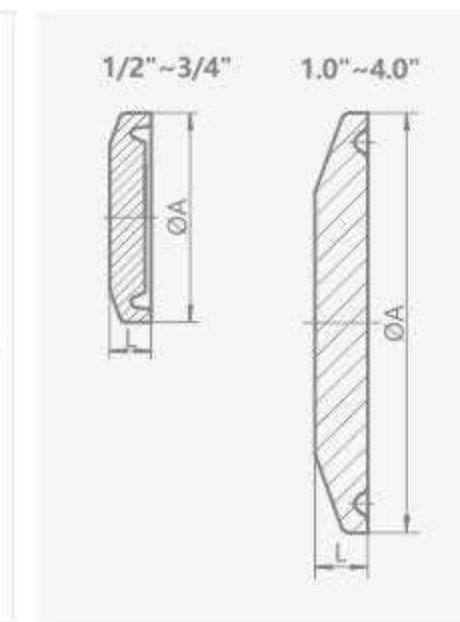
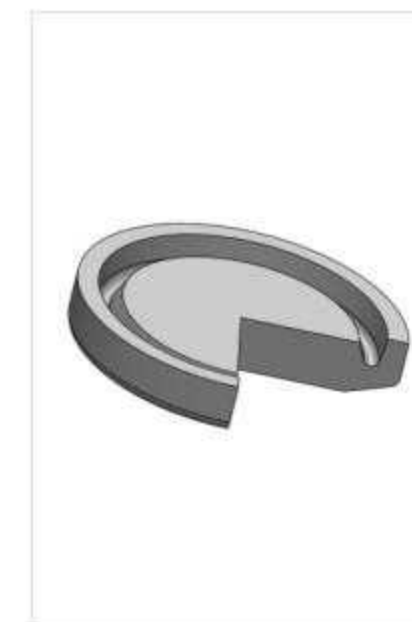
焊式变径三通 / Weld Reducing Tee						
Size	ØD	Ød	L	L1	T	t
3/4"X1/2"	19.1	12.7	101.6	50.8	1.65	1.65
1.0"X1/2"	25.4	12.7	108	54		
1.0"X3/4"	25.4	19.1	108	54		
1.5"X1/2"	38.1	12.7	120.6	60.3		
1.5"X3/4"	38.1	19.1	120.6	60.3		
1.5"X1.0"	38.1	25.4	120.6	60.3		
2.0"X1/2"	50.8	12.7	145.8	72.9		
2.0"X3/4"	50.8	19.1	145.8	72.9		
2.0"X1.0"	50.8	25.4	145.8	72.9		
2.0"X1.5"	50.8	38.1	145.8	72.9		
2.5"X1/2"	63.5	12.7	158.5	79.3		
2.5"X3/4"	63.5	19.1	158.5	79.3		
2.5"X1.0"	63.5	25.4	158.5	79.3		
2.5"X1.5"	63.5	38.1	158.8	79.3		
2.5"X2.0"	63.5	50.8	158.8	79.3		
3.0"X1/2"	76.2	12.7	171.2	85.6	2.1	
3.0"X3/4"	76.2	19.1	171.2	85.6		
3.0"X1.0"	76.2	25.4	171.2	85.6		
3.0"X1.5"	76.2	38.1	171.2	85.6		
3.0"X2.0"	76.2	50.8	171.2	85.6		
3.0"X2.5"	76.2	63.5	171.2	85.6		
4.0"X1.0"	101.6	25.4	209.3	104.7		
4.0"X1.5"	101.6	38.1	209.3	104.7		
4.0"X2.0"	101.6	50.8	209.3	104.7		
4.0"X2.5"	101.6	63.5	209.3	104.7		
4.0"X3.0"	101.6	76.2	209.3	104.7		



卡箍接头 / Ferrule						
Size	ØA	ØB	ØD	L		
				系列I	系列II	系列III
1/2"	9.4	12.7	25.2	12.7	28.7	44.5
3/4"	15.8	19.1	25.2	12.7	28.7	44.5
1.0"	22.1	25.4	50.5	12.7	28.7	44.5
1.5"	34.8	38.1	50.5	12.7	28.7	44.5
2.0"	47.5	50.8	64	12.7	28.7	57.2
2.5"	60.2	63.5	77.5	12.7	28.7	57.2
3.0"	72.9	76.2	91	12.7	28.7	57.2
4.0"	97.4	101.6	119	15.8	28.7	57.2
6.0"	146.8	152.4	166.9	21.5	38.1	76.2



夹式等径平口三通 / Short Outlet Clamp Equal Tee						
Size	ØD	ØK	L	L1	T	
1/2"	12.7	25.2	114.4	21	1.65	
3/4"	19.1	25.2	120.6	24.3		
1.0"	25.4	50.5	133.4	27.4		
1.5"	38.1	50.5	146.0	33.8		
2.0"	50.8	64	171.4	40.1		
2.5"	63.5	77.5	184.2	46.5		
3.0"	76.2	91	196.8	52.8		
4.0"	101.6	119	241.4	68.6		2.1
6.0"	152.4	166.8	362.0	99.7		2.77

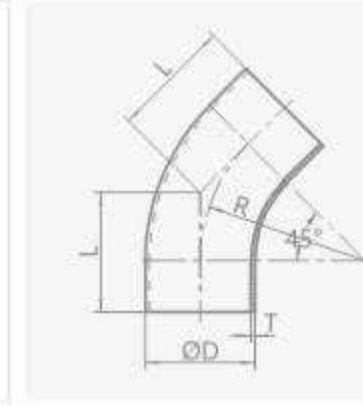
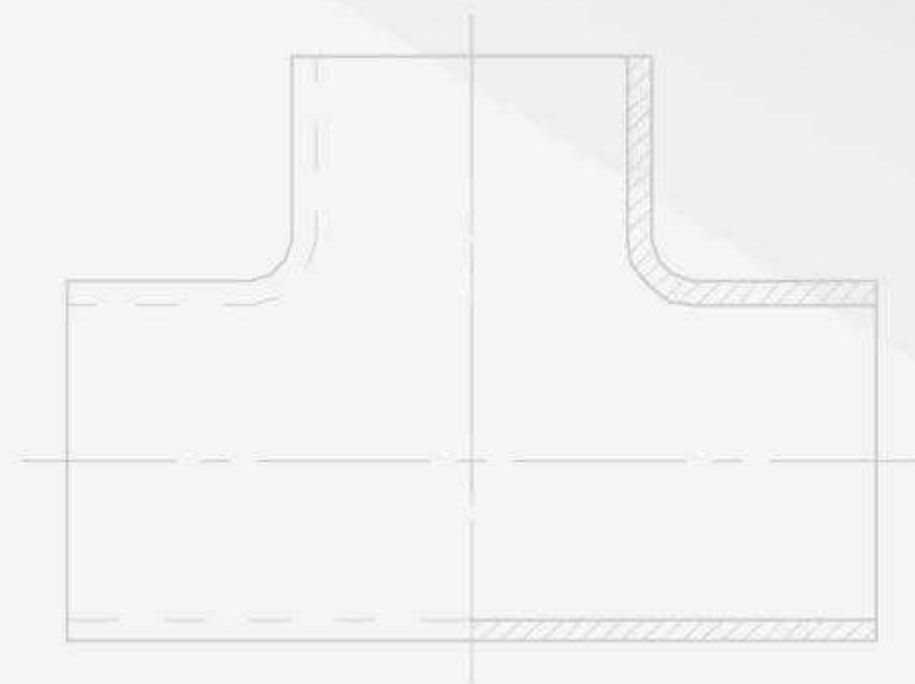


卡箍盲板 / End Cap		
Size	ØA	L
1/2"	25.2	5.0
3/4"	25.2	5.0
1.0"	50.5	6.4
1.5"	50.5	6.4
2.0"	64	6.4
2.5"	77.5	6.4
3.0"	91	6.4
4.0"	119	8.9

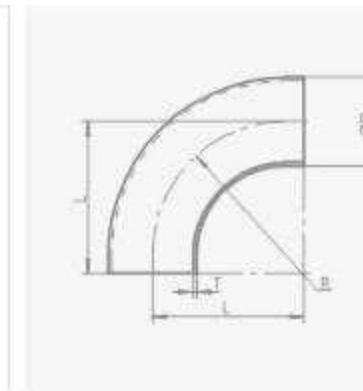
SANITARY PIPE FITTINGS BS SERIES  
卫生级管件BS系列

SANITARY  
PIPE FITTINGS  
BS SERIES  
卫生级管件BS系列

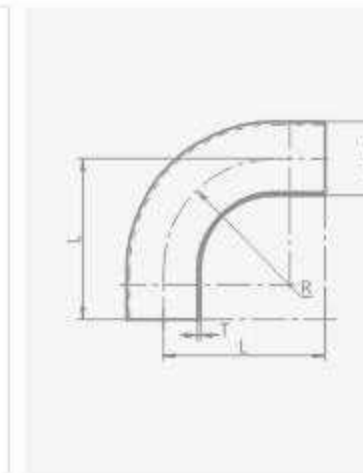
04



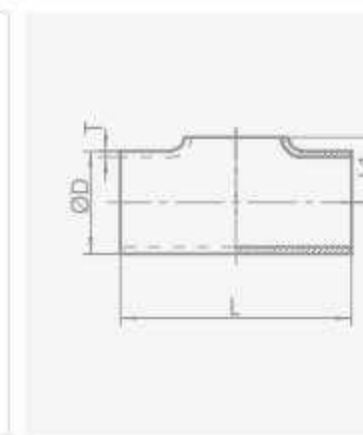
45°焊式长弯头 / 45° Weld Long Elbow				
Size	ØD	L	R	T
1.0"	25.4	43.5	38.1	1.65
1.5"	38.1	63.5	57.2	1.65
2.0"	50.8	88.5	76.2	1.65
2.5"	63.5	113.5	95.3	1.65
3.0"	76.2	133.5	114.3	1.65
4.0"	101.6	173.5	152.4	2.1



90°焊式短弯头 / 90° Weld Short Elbow				
Size	ØD	L	R	T
1.0"	25.4	43.5	38.1	1.65
1.5"	38.1	63.5	57.2	1.65
2.0"	50.8	88.5	76.2	1.65
2.5"	63.5	113.5	95.3	1.65
3.0"	76.2	133.5	114.3	1.65
4.0"	101.6	173.5	152.4	2.1

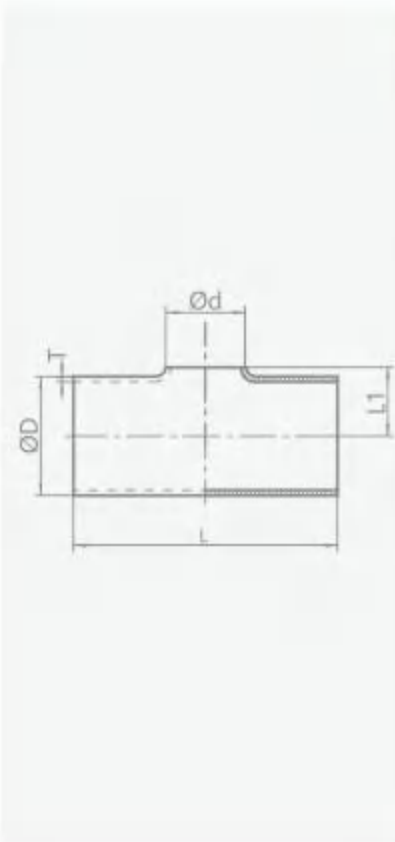


90°焊式长弯头 / 90° Weld Long Elbow				
Size	ØD	L	R	T
1/2"	12.7	45	19.1	1.65
3/4"	19.1	60	28.6	1.65
1.0"	25.4	65	38.1	1.65
1.5"	38.1	85	57.2	1.65
2.0"	50.8	110	76.2	1.65
2.5"	63.5	135	93.5	1.65
3.0"	76.2	155	114.3	1.65
4.0"	101.6	195	152.4	2.1

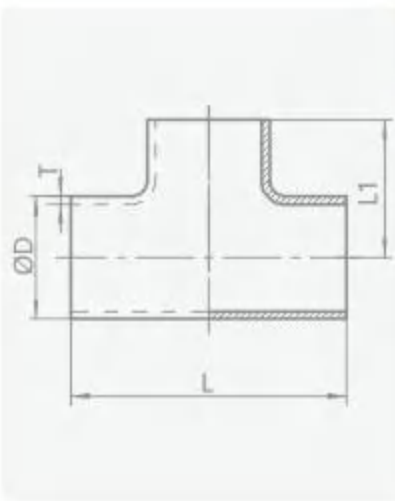
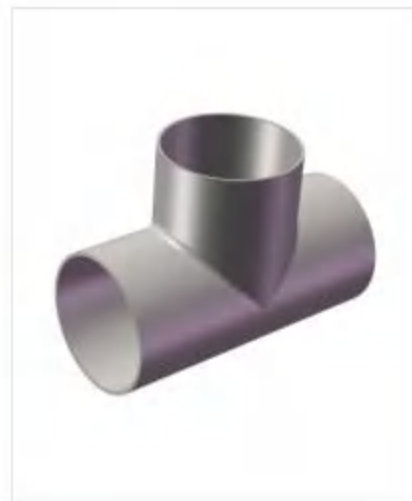


焊式等径平口短三通 / Weld Short Equal Tee				
Size	ØD	L	L1	T
1.0"	25.4	87	14.7	1.65
1.5"	38.1	127	21	1.65
2.0"	50.8	177	27.4	1.65
2.5"	63.5	227	33.8	1.65
3.0"	76.2	267	40.1	1.65
4.0"	101.6	347	52.8	2.1

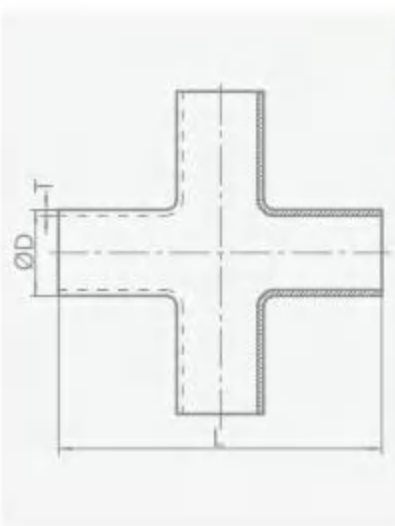
**SANITARY PIPE FITTINGS BS SERIES**  
卫生级管件BS系列



焊式变径平口三通 / Weld Reducing Tee Without Straight End					
Size	ØD	Ød	L	L1	T
1.5"x1.0"	38.1	25.4	127	21	1.65
2.0"x1.0"	50.8	25.4	177	27.4	1.65
2.0"x1.5"	50.8	38.1	177	27.4	1.65
2.5"x1.0"	63.5	25.4	227	33.8	1.65
2.5"x1.5"	63.5	38.1	227	33.8	1.65
2.5"x2.0"	63.5	50.8	227	33.8	1.65
3.0"x1.0"	76.2	25.4	267	40.1	1.65
3.0"x1.5"	76.2	38.1	267	40.1	1.65
3.0"x2.0"	76.2	50.8	267	40.1	1.65
3.0"x2.5"	76.2	63.5	267	40.1	1.65
4.0"x2.0"	101.6	50.8	347	52.8	2.1
4.0"x2.5"	101.6	63.5	347	52.8	2.1
4.0"x3.0"	101.6	76.2	347	52.8	2.1

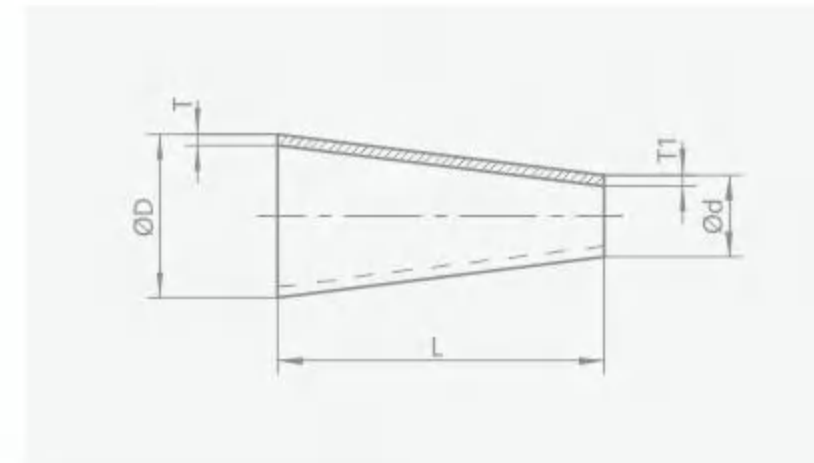


焊式等径短三通 / Weld Equal Tee				
Size	ØD	L	L1	T
1.0"	25.4	87	43.5	1.65
1.5"	38.1	127	63.5	1.65
2.0"	50.8	177	88.5	1.65
2.5"	63.5	227	113.5	1.65
3.0"	76.2	267	133.5	1.65
4.0"	101.6	347	173.5	2.1

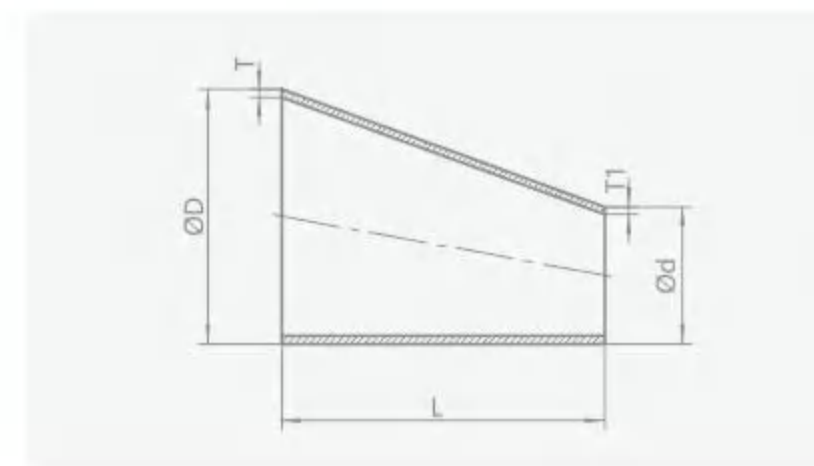


焊式等径长四通 / Weld Long 4 Way Equal Cross			
Size	ØD	L	T
1.0"	25.4	130	1.65
1.5"	38.1	170	1.65
2.0"	50.8	220	1.65
2.5"	63.5	270	1.65
3.0"	76.2	310	1.65
4.0"	101.6	390	2.1

**SANITARY PIPE FITTINGS BS SERIES**  
卫生级管件BS系列

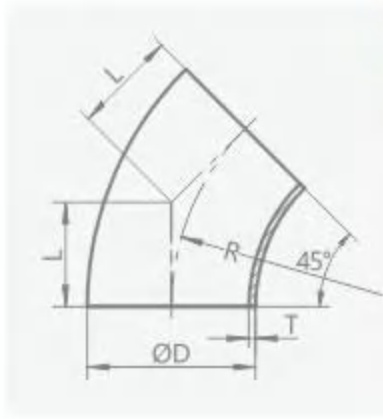


焊式同心大小头 / Weld Concentric Reducer					
Size	ØD	Ød	L	T	T1
1.5"x1.0"	38.1	25.4	28	1.65	1.65
2.0"x1.0"	50.8	25.4	49	1.65	1.65
2.0"x1.5"	50.8	38.1	31	1.65	1.65
2.5"x1.0"	63.5	25.4	76	1.65	1.65
2.5"x1.5"	63.5	38.1	48	1.65	1.65
2.5"x2.0"	63.5	50.8	41	1.65	1.65
3.0"x1.0"	76.2	25.4	100	1.65	1.65
3.0"x1.5"	76.2	38.1	74	1.65	1.65
3.0"x2.0"	76.2	50.8	50	1.65	1.65
3.0"x2.5"	76.2	63.5	40	1.65	1.65
4.0"x1.5"	101.6	38.1	128	2.1	1.65
4.0"x2.0"	101.6	50.8	100	2.1	1.65
4.0"x2.5"	101.6	63.5	75	2.1	1.65
4.0"x3.0"	101.6	76.2	51	2.1	1.65

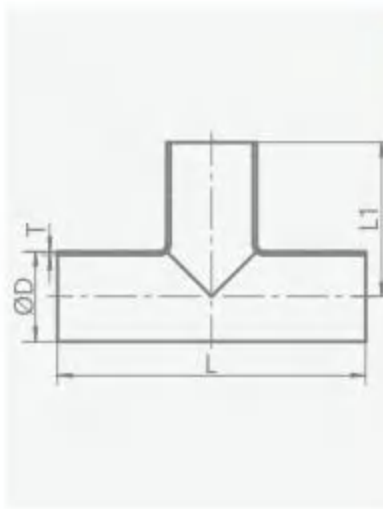


焊式偏心大小头 / Weld Eccentric Reducer					
Size	ØD	Ød	L	T	T1
1.5"x1.0"	38.1	25.4	29	1.65	1.65
2.0"x1.0"	50.8	25.4	48	1.65	1.65
2.0"x1.5"	50.8	38.1	39	1.65	1.65
2.5"x1.0"	63.5	25.4	73	1.65	1.65
2.5"x1.5"	63.5	38.1	47	1.65	1.65
2.5"x2.0"	63.5	50.8	44	1.65	1.65
3.0"x1.0"	76.2	25.4	95	1.65	1.65
3.0"x1.5"	76.2	38.1	70	1.65	1.65
3.0"x2.0"	76.2	50.8	46	1.65	1.65
3.0"x2.5"	76.2	63.5	36	1.65	1.65
4.0"x1.5"	101.6	38.1	115	2.1	1.65
4.0"x2.0"	101.6	50.8	91	2.1	1.65
4.0"x2.5"	101.6	63.5	69	2.1	1.65
4.0"x3.0"	101.6	76.2	78	2.1	1.65

**SANITARY PIPE FITTINGS BS SERIES**  
卫生级管件BS系列



45°焊式短弯头 / 45° Weld Short Elbow				
Size	D	L	R	T
1"	25.4	15.8	38.1	1.65
1½"	38.1	23.7	57.2	1.65
2"	50.8	31.6	76.2	1.65
2½"	63.5	39.5	95.3	1.65
3"	76.2	47.3	114.3	1.65
4"	101.6	63.1	152.4	2.1



焊式等径长三通 / Weld Equal Tee				
Size	D	L	L1	T
½"	12.7	95.2	47.6	1.65
¾"	19.1	101.6	50.8	1.65
1"	25.4	130	65	1.65
1½"	38.1	170	85	1.65
2"	50.8	220	110	1.65
2½"	63.5	270	135	1.65
3"	76.2	310	155	1.65
4"	101.6	390	195	2.1



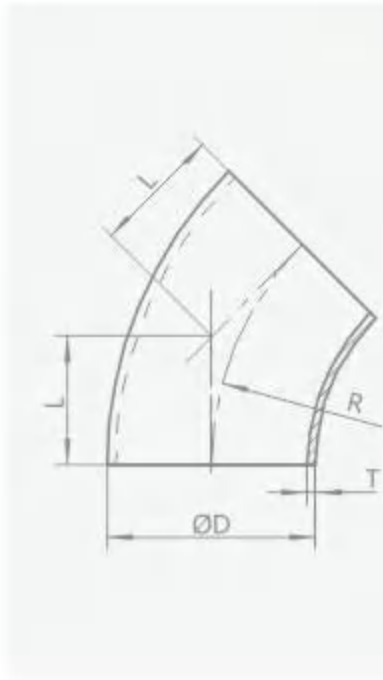
**SANITARY  
PIPE FITTINGS  
DIN SERIES**  
卫生级管件DIN系列

**05**

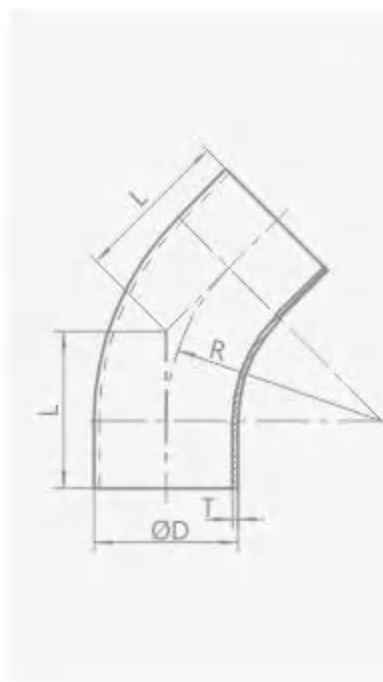




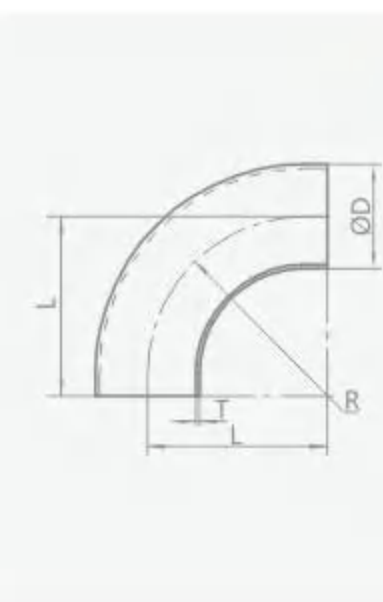
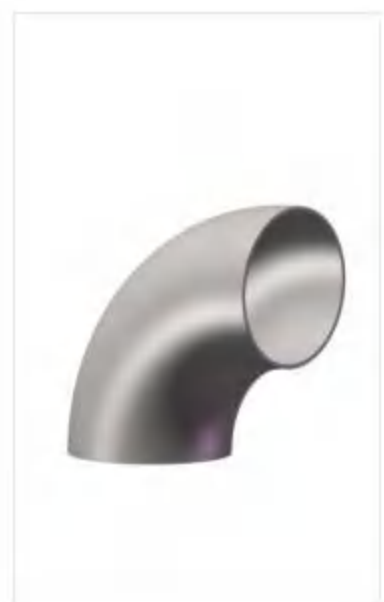
**SANITARY PIPE FITTINGS DIN SERIES**  
卫生级管件DIN系列



45°焊式短弯头 / 45° Weld Short Elbow					
Size	ØD		L	R	T
DN10	12	13	10.8	26	1.5
DN15	18	19	14.5	35	1.5
DN20	22	23	16.5	40	1.5
DN25	28	29	20.7	50	1.5
DN32	34	35	22.8	55	1.5
DN40	40	41	24.9	60	1.5
DN50	52	53	29	70	1.5
DN65	70	70	33.1	80	2
DN80	85	85	37.3	90	2
DN100	104	104	41.4	100	2
DN125	129	129	77.5	187	2
DN150	154	154	93.2	225	2
DN200	204	204	124.3	300	2
DN250	254	-	155.3	325	2

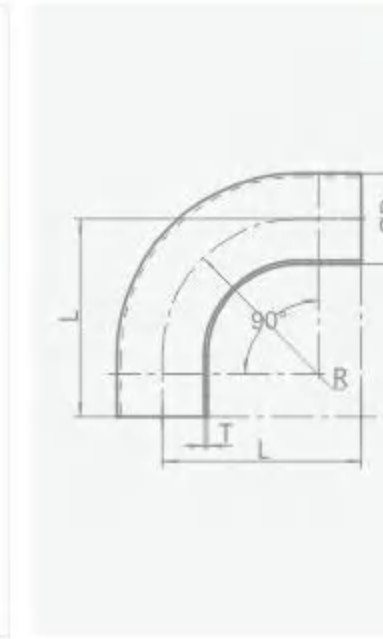


45°焊式长弯头 / 45° Weld Long Elbow					
Size	ØD		L	R	T
DN10	12	13	35.8	26	1.5
DN15	18	19	39.5	35	1.5
DN20	22	23	41.6	40	1.5
DN25	28	29	60.7	50	1.5
DN32	34	35	62.8	55	1.5
DN40	40	41	64.9	60	1.5
DN50	52	53	69	70	1.5
DN65	70	70	73.1	80	2
DN80	85	85	92.3	90	2
DN100	104	104	96.4	100	2
DN125	129	129	160.2	187	2
DN150	154	154	193.2	225	2
DN200	204	204	124.3	300	2

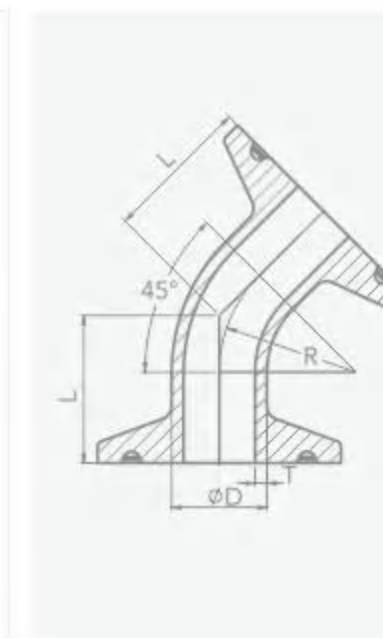


90°焊式短弯头 / 90° Weld Short Elbow					
Size	ØD		L	R	T
DN10	12	13	26	26	1.5
DN15	18	19	35	35	1.5
DN20	22	23	40	40	1.5
DN25	28	29	50	50	1.5
DN32	34	35	55	55	1.5
DN40	40	41	60	60	1.5
DN50	52	53	70	70	1.5
DN65	70	70	80	80	2
DN80	85	85	90	90	2
DN100	104	104	100	100	2
DN125	129	129	187	187	2
DN150	154	154	225	225	2
DN200	204	204	300	300	2

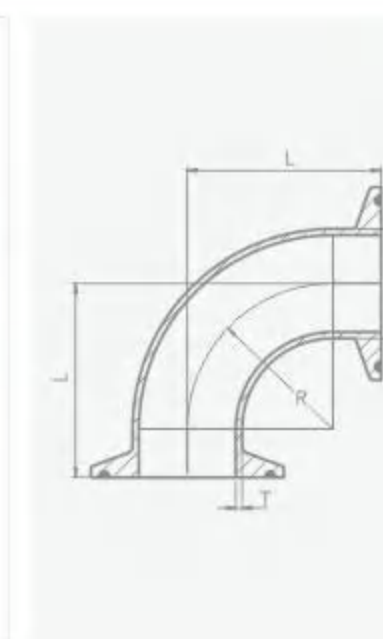
**SANITARY PIPE FITTINGS DIN SERIES**  
卫生级管件DIN系列



90°焊式长弯头 / 90° Weld Long Elbow					
Size	ØD		L	R	T
DN10	12	13	38	26	1.5
DN15	18	19	47	35	1.5
DN20	22	23	52	40	1.5
DN25	28	29	70	50	1.5
DN32	34	35	78	55	1.5
DN40	40	41	85	60	1.5
DN50	52	53	97	70	1.5
DN65	70	70	110	80	2
DN80	85	85	118	90	2
DN100	104	104	140	100	2
DN125	129	129	227	187	2
DN150	154	154	265	225	2



45°夹式短弯头 / 45° Clamp Short Elbow					
Size	ØD		L	R	T
DN10	12	13	28.8	26	1.5
DN15	18	19	32.5	35	1.5
DN20	22	23	34.5	40	1.5
DN25	28	29	42.2	50	1.5
DN32	34	35	44.3	55	1.5
DN40	40	41	46.4	60	1.5
DN50	52	53	50.5	70	1.5
DN65	70	70	61.1	80	2
DN80	85	85	65.3	90	2
DN100	104	104	69.1	100	2
DN125	129	129	105.5	187	2
DN150	154	154	121.2	225	2

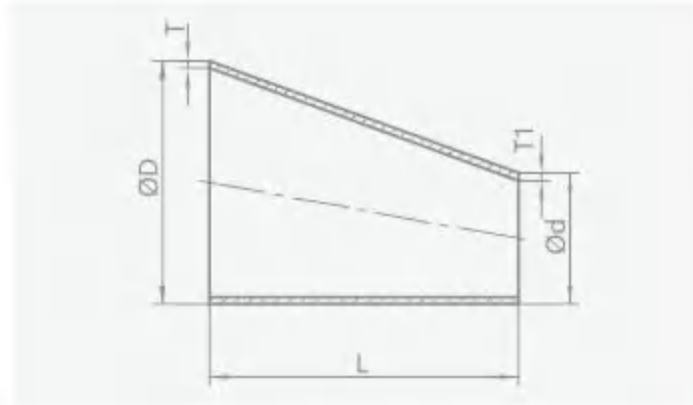


90°夹式短弯头 / 90° Clamp Long Elbow					
Size	ØD		L	R	T
DN10	12	13	44	26	1.5
DN15	18	19	53	35	1.5
DN20	22	23	58	40	1.5
DN25	28	29	71.5	50	1.5
DN32	34	35	76.5	55	1.5
DN40	40	41	81.5	60	1.5
DN50	52	53	91.5	70	1.5
DN65	70	70	108	80	2
DN80	85	85	118	90	2
DN100	104	104	128	100	2
DN125	129	129	215	187	2
DN150	154	154	253	225	2

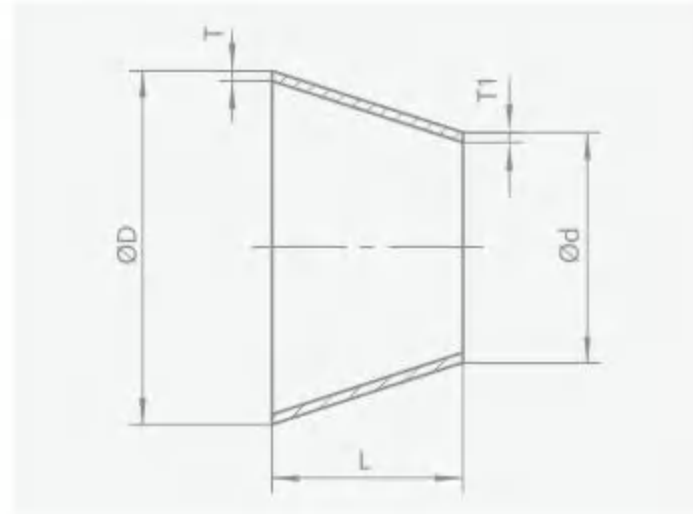
**SANITARY PIPE FITTINGS DIN SERIES**  
卫生级管件DIN系列



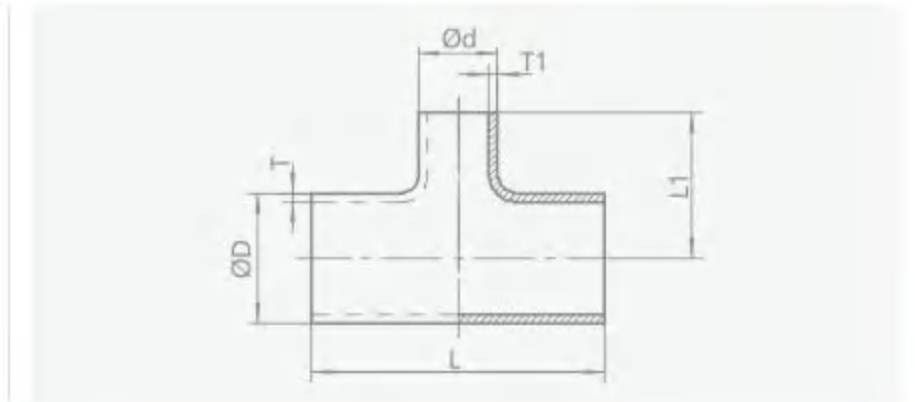
焊式偏心大小头 / Weld Eccentric Reducer							
Size	ØD		Ød		L	T	T1
DN32XDN25	34	35	28	29	16.5	1.5	1.5
DN40XDN25	40	41	28	29	33	1.5	1.5
DN40XDN32	40	41	34	35	16.5	1.5	1.5
DN50XDN25	52	53	28	29	66	1.5	1.5
DN50XDN32	52	53	34	35	49.5	1.5	1.5
DN50XDN40	52	53	40	41	33	1.5	1.5
DN65XDN40	70	70	40	41	77	2	1.5
DN65XDN50	70	70	52	53	44	2	1.5
DN80XDN40	85	85	40	41	78	2	1.5
DN80XDN50	85	85	52	53	85	2	1.5
DN80XDN65	85	85	70	70	41.2	2	2
DN100XDN50	104	104	52	53	137.5	2	1.5
DN100XDN65	104	104	70	70	93.5	2	2
DN100XDN80	104	104	85	85	52.5	2	2



焊式同心大小头 / Weld Concentric Reducer							
Size	ØD		Ød		L	T	T1
DN20XDN15	22	23	18	19	7	1.5	1.5
DN25XDN15	28	29	18	19	18	1.5	1.5
DN25XDN20	28	29	22	23	11	1.5	1.5
DN32XDN20	34	35	22	23	22	1.5	1.5
DN32XDN25	34	35	28	29	11	1.5	1.5
DN40XDN20	40	41	22	23	33	1.5	1.5
DN40XDN25	40	41	28	29	22	1.5	1.5
DN40XDN32	40	41	34	35	22	1.5	1.5
DN50XDN20	52	53	22	23	27	1.5	1.5
DN50XDN25	52	53	28	29	44	1.5	1.5
DN50XDN32	52	53	34	35	33	1.5	1.5
DN50XDN40	52	53	40	41	22	1.5	1.5
DN65XDN25	70	70	28	29	73	2	1.5
DN65XDN32	70	70	34	35	62	2	1.5
DN65XDN40	70	70	40	41	51	2	1.5
DN65XDN50	70	70	52	53	29	2	1.5
DN80XDN40	85	85	40	41	78	2	1.5
DN80XDN50	85	85	52	53	56	2	1.5
DN80XDN65	85	85	70	70	27	2	2
DN100XDN50	104	104	52	53	90	2	1.5
DN100XDN65	104	104	70	70	61	2	2
DN100XDN80	104	104	85	85	34	2	2

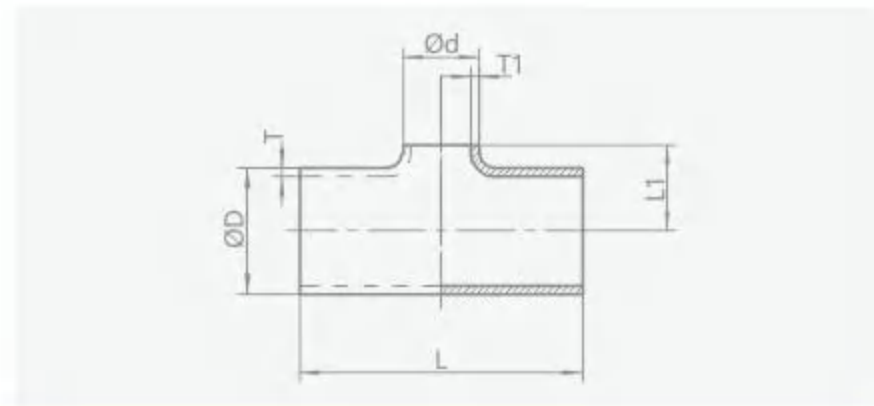


**SANITARY PIPE FITTINGS DIN SERIES**  
卫生级管件DIN系列



焊式变径三通 / Weld Long Reducing Tee								
Size	ØD		Ød		L	L1	T	T1
DN15XDN10	18	19	12	13	70	35	1.5	1.5
DN20XDN15	22	23	18	19	80	40	1.5	1.5
DN25XDN15	28	29	18	19	100	50	1.5	1.5
DN25XDN20	28	29	22	23	100	50	1.5	1.5
DN32XDN25	34	35	28	29	110	55	1.5	1.5
DN40XDN25	40	41	28	29	120	60	1.5	1.5
DN40XDN32	40	41	34	35	120	60	1.5	1.5
DN50XDN25	52	53	28	29	140	70	1.5	1.5
DN50XDN32	52	53	34	35	140	70	1.5	1.5
DN50XDN40	52	53	40	41	140	70	1.5	1.5
DN65XDN25	70	70	28	29	160	80	2	1.5
DN65XDN32	70	70	34	35	160	80	2	1.5
DN65XDN40	70	70	40	41	160	80	2	1.5
DN65XDN50	70	70	52	53	160	80	2	1.5
DN80XDN25	85	85	28	29	180	90	2	1.5
DN80XDN40	85	85	40	41	180	90	2	1.5
DN80XDN50	85	85	52	53	180	90	2	1.5
DN80XDN65	85	85	70	70	180	90	2	2
DN100XDN25	104	104	28	29	200	100	2	1.5
DN100XDN40	104	104	40	41	200	100	2	1.5
DN100XDN50	104	104	52	53	200	100	2	1.5
DN100XDN65	104	104	70	70	200	100	2	2
DN100XDN80	104	104	85	85	200	100	2	2
DN125XDN25	129	129	28	29	375	187	2	1.5
DN125XDN40	129	129	40	41	375	187	2	1.5
DN125XDN50	129	129	52	53	375	187	2	1.5
DN125XDN65	129	129	70	70	375	187	2	2
DN125XDN80	129	129	85	85	375	187	2	2
DN125XDN100	129	129	104	104	375	187	2	2
DN150XDN25	154	154	28	29	450	225	2	1.5
DN150XDN40	154	154	40	41	450	225	2	1.5
DN150XDN50	154	154	52	53	450	225	2	1.5
DN150XDN79	154	154	70	70	450	225	2	2
DN150XDN80	154	154	85	85	450	225	2	2
DN150XDN100	154	154	104	104	450	225	2	2
DN150XDN125	154	154	129	129	450	225	2	2
DN200XDN65	204	204	70	70	600	300	2	2
DN200XDN100	204	204	104	104	600	300	2	2

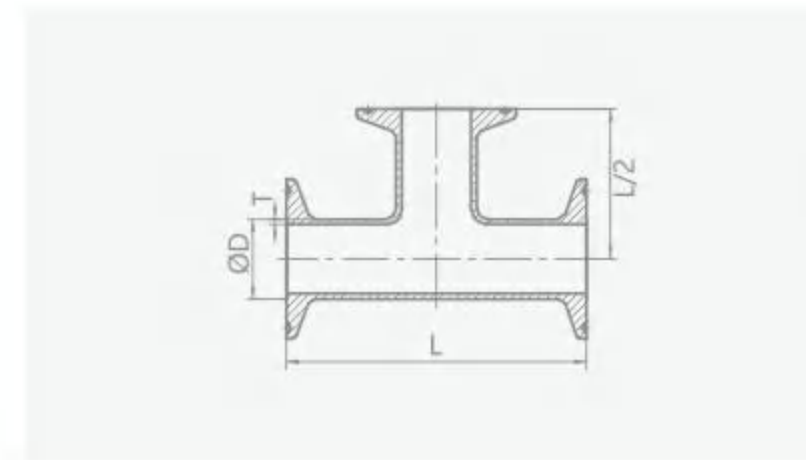
**SANITARY PIPE FITTINGS DIN SERIES**  
卫生级管件DIN系列



焊式变径平口三通 / Weld Long Reducing Tee Without Straight End

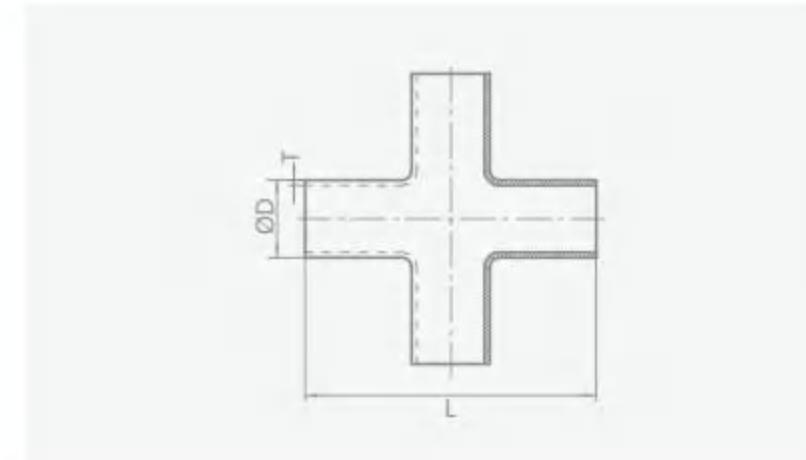
Size	ØD	Ød	L	L1	T	T1	
DN15XDN10	18	19	12	13	70	11	1.5
DN20XDN15	22	23	18	19	80	13	1.5
DN25XDN15	28	29	18	19	100	16	1.5
DN25XDN20	28	29	22	23	100	16	1.5
DN32XDN25	34	35	28	29	110	19	1.5
DN40XDN25	40	41	28	29	120	22	1.5
DN40XDN32	40	41	34	35	120	22	1.5
DN50XDN25	52	53	28	29	140	28	1.5
DN50XDN32	52	53	34	35	140	28	1.5
DN50XDN40	52	53	40	41	140	28	1.5
DN65XDN25	70	70	28	29	160	37	2
DN65XDN40	70	70	40	41	160	37	2
DN65XDN50	70	70	52	53	160	37	2
DN80XDN25	85	85	28	29	180	44.5	2
DN80XDN40	85	85	40	41	180	44.5	2
DN80XDN50	85	85	52	53	180	44.5	2
DN80XDN65	85	85	70	70	180	44.5	2
DN100XDN25	104	104	28	29	200	54	2
DN100XDN40	104	104	40	41	200	54	2
DN100XDN50	104	104	52	53	200	54	2
DN100XDN65	104	104	70	70	200	54	2
DN100XDN80	104	104	85	85	200	54	2
DN125XDN25	129	129	28	29	375	66.5	2
DN125XDN40	129	129	40	41	375	66.5	2
DN125XDN50	129	129	52	53	375	66.5	2
DN125XDN65	129	129	70	70	375	66.5	2
DN125XDN80	129	129	85	85	375	66.5	2
DN125XDN100	129	129	104	104	375	66.5	2
DN150XDN25	154	154	28	29	450	79	2
DN150XDN40	154	154	40	41	450	79	2
DN150XDN50	154	154	52	53	450	79	2
DN150XDN79	154	154	70	70	450	79	2
DN150XDN80	154	154	85	85	450	79	2
DN150XDN100	154	154	104	104	450	79	2
DN150XDN125	154	154	129	129	450	79	2

**SANITARY PIPE FITTINGS DIN SERIES**  
卫生级管件DIN系列



夹式等径三通 / Clamp Long Equal Tee

Size	ØD	L	T	
DN10	12	13	88	1.5
DN15	18	19	106	1.5
DN20	22	23	116	1.5
DN25	28	29	143	1.5
DN32	34	35	152	1.5
DN40	40	41	162	1.5
DN50	52	53	182	1.5
DN65	70	70	202	2
DN80	85	85	222	2
DN100	104	104	242	2
DN125	129	129	430	2
DN150	154	154	506	2
DN200	204	204	656	2
DN250	254	254	806	2
DN300	304	304	806	3



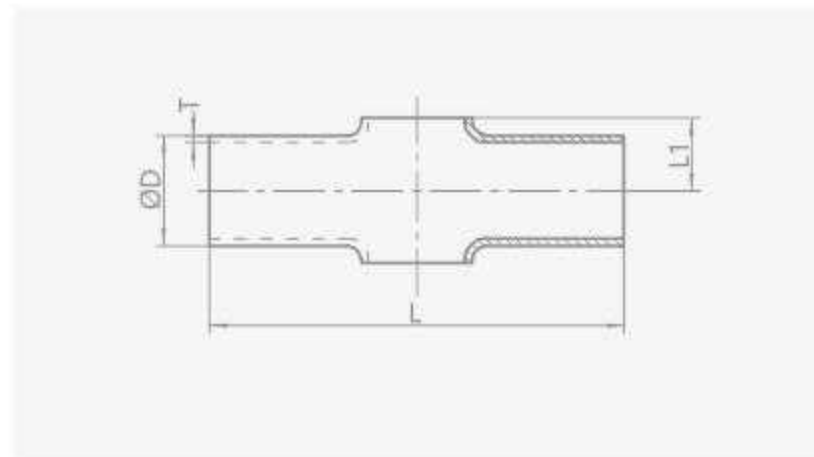
焊式等径四通 / Weld Long 4 Way Equal Cross

Size	ØD	L	T	
DN10	12	13	52	1.5
DN15	18	19	70	1.5
DN20	22	23	80	1.5
DN25	28	29	100	1.5
DN32	34	35	110	1.5
DN40	40	41	120	1.5
DN50	52	53	140	1.5
DN65	70	70	160	2
DN80	85	85	180	2
DN100	104	104	200	2
DN125	129	129	375	2
DN150	154	154	450	2
DN200	204	204	600	2
DN250	254	254	750	2
DN300	304	304	750	3

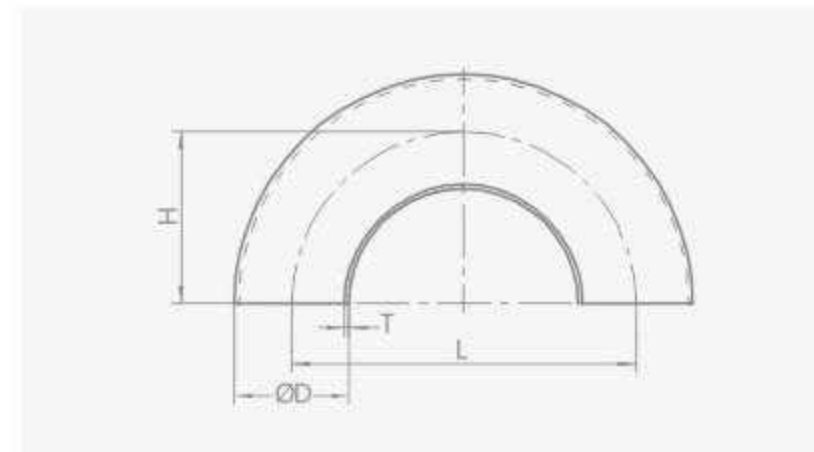
**SANITARY PIPE FITTINGS DIN SERIES**  
卫生级管件DIN系列



焊式等径平口四通 / Weld Short 4 Way Equal Cross					
Size	ØD		L	L1	T
DN10	12	13	52	8	1.5
DN15	18	19	70	11	1.5
DN20	22	23	80	13	1.5
DN25	28	29	100	16	1.5
DN32	34	35	110	19	1.5
DN40	40	41	120	22	1.5
DN50	52	53	140	28	1.5
DN65	70	70	160	37	2
DN80	85	85	180	44.5	2
DN100	104	104	200	54	2
DN125	129	129	375	66.5	2
DN150	154	154	450	79	2
DN200	204	204	600	104	2
DN250	254	254	750	129	2
DN300	304	304	750	155	3



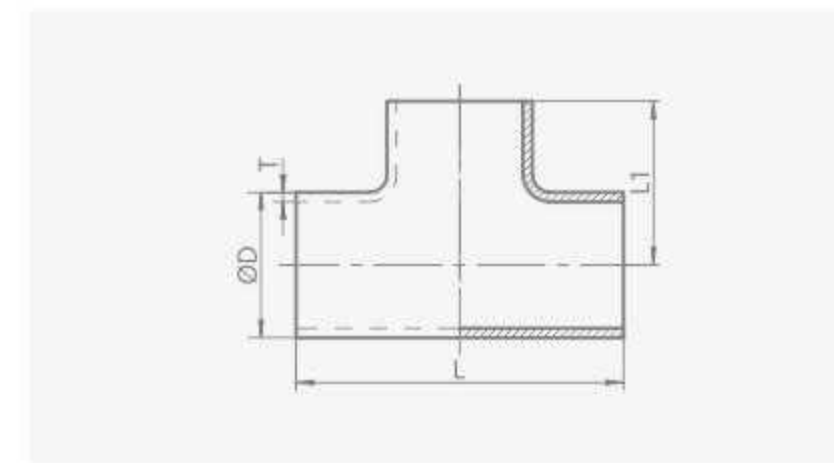
180°焊式U型弯头 / 180° Weld U-Type Elbow					
Size	ØD		L	H	T
DN10	12	13	52	26	1.5
DN15	18	19	70	35	
DN20	22	23	80	40	
DN25	28	29	100	50	
DN32	34	35	110	55	
DN40	40	41	120	60	
DN50	52	53	140	70	2
DN65	70	70	160	80	
DN80	85	85	180	90	
DN100	104	104	200	100	
DN125	129	129	374	187	
DN150	154	154	450	225	
DN200	204	204	600	300	
DN250	254	254	750	375	



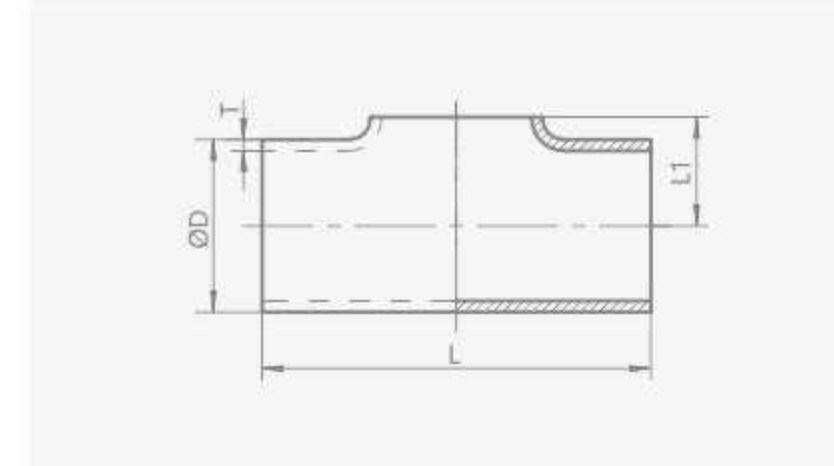
**SANITARY PIPE FITTINGS DIN SERIES**  
卫生级管件DIN系列



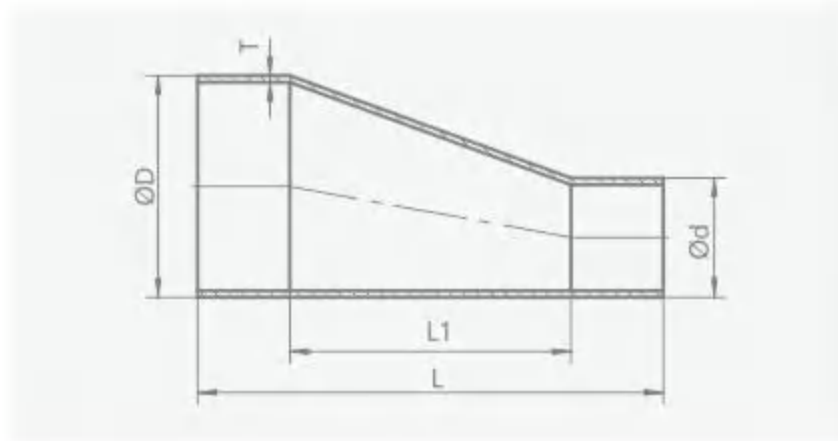
焊式等径三通 / Weld Short Equal Tee					
Size	ØD		L	L1	T
DN10	12	13	52	26	1.6
DN15	18	19	70	35	
DN20	22	23	80	40	
DN25	28	29	100	50	
DN32	34	35	110	55	
DN40	40	41	120	60	
DN50	52	53	140	70	2
DN65	70	70	160	80	
DN80	85	85	180	90	
DN100	104	104	200	100	
DN125	129	129	374	187	
DN150	154	154	450	225	
DN200	204	204	600	300	
DN250	254	254	750	375	
DN300	304	304	750	375	3



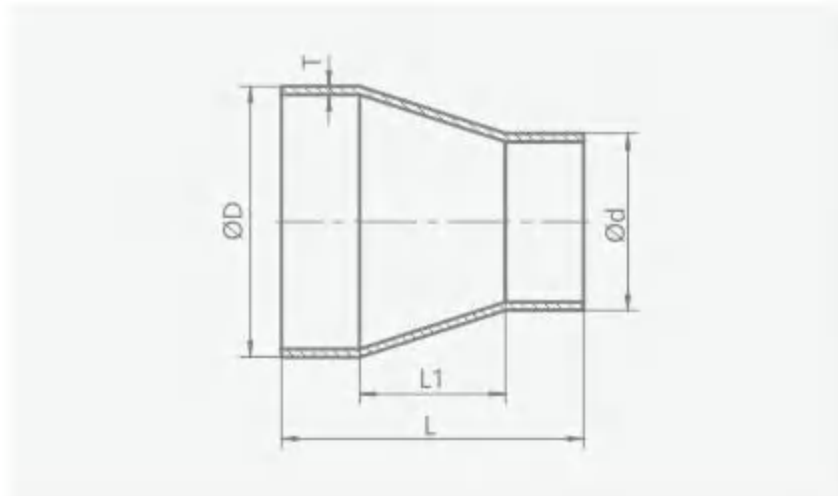
焊式等径平口三通 / Weld Short Equal Tee					
Size	ØD		L	L1	T
DN10	12	13	52	8	1.5
DN15	18	19	70	11	
DN20	22	23	80	13	
DN25	28	29	100	16	
DN32	34	35	110	19	
DN40	40	41	120	22	
DN50	52	53	140	28	2
DN65	70	70	160	37	
DN80	85	85	180	44.5	
DN100	104	104	200	54	
DN125	129	129	374	66.5	
DN150	154	154	450	79	
DN200	204	204	600	104	
DN250	254	254	750	129	
DN300	304	304	750	155	3



**SANITARY PIPE FITTINGS DIN SERIES**  
卫生级管件DIN系列

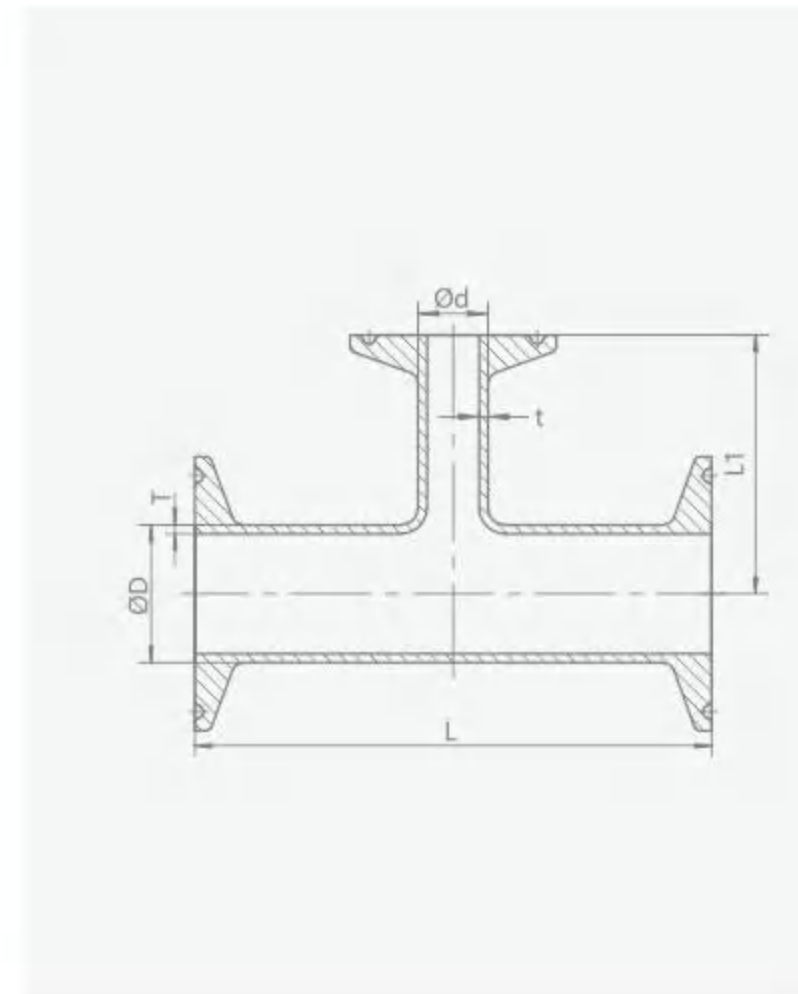


焊式偏心大小头(加直端) / Weld Eccentric Reducer (With Straight End)						
Size	ØD	Ød	L	T		
DN20XDN15	22	23	18	19	60	1.5
DN25XDN20	28	29	22	23	60	
DN32XDN20	34	35	22	23	80	
DN32XDN25	34	35	28	29	80	
DN40XDN20	40	41	22	23	102	
DN40XDN25	40	41	28	29	102	
DN40XDN32	40	41	34	35	102	
DN50XDN25	52	53	28	29	115	
DN50XDN32	52	53	34	35	115	
DN50XDN40	52	53	40	41	115	
DN65XDN25	70	28	29	125	2	
DN65XDN32	70	34	35	125		
DN65XDN40	70	40	41	120		
DN65XDN50	70	52	53	120		
DN80XDN40	85	40	41	140		
DN80XDN50	85	52	53	125		
DN80XDN65	85	70	120			
DN100XDN50	104	52	53	160		
DN100XDN65	104	70	127			
DN100XDN80	104	85	120			
DN125XDN80	129	85	150			
DN125XDN100	129	104	150			
DN150XDN100	154	104	170			
DN150XDN125	154	129	170			



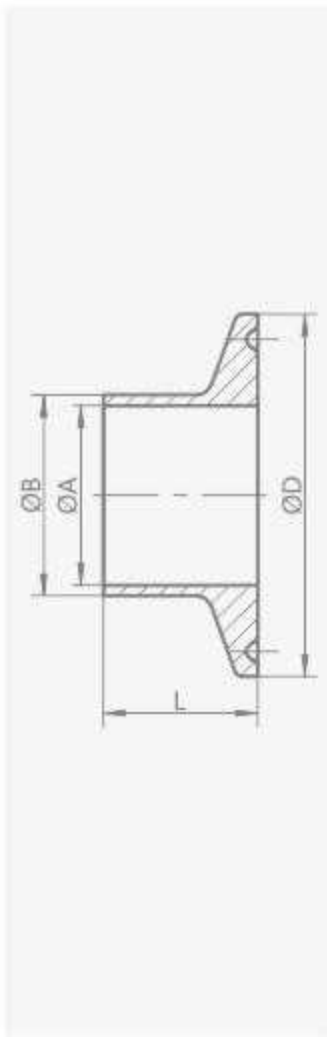
焊式同心大小头(加直端) / Weld Concentric Reducer (With Straight End)						
Size	ØD	Ød	L	T		
DN20XDN15	22	23	18	19	60	1.5
DN25XDN20	28	29	22	23	60	
DN32XDN20	34	35	22	23	80	
DN32XDN25	34	35	28	29	80	
DN40XDN20	40	41	22	23	102	
DN40XDN25	40	41	28	29	102	
DN40XDN32	40	41	34	35	102	
DN50XDN25	52	53	28	29	115	
DN50XDN32	52	53	34	35	115	
DN50XDN40	52	53	40	41	115	
DN65XDN25	70	28	29	125	2	
DN65XDN32	70	34	35	125		
DN65XDN40	70	40	41	120		
DN65XDN50	70	52	53	120		
DN80XDN40	85	40	41	140		
DN80XDN50	85	52	53	125		
DN80XDN65	85	70	120			
DN100XDN50	104	52	53	160		
DN100XDN65	104	70	127			
DN100XDN80	104	85	120			
DN125XDN80	129	85	150			
DN125XDN100	129	104	150			
DN150XDN80	154	85	150			
DN150XDN100	154	104	170			
DN150XDN125	154	129	170			
DN200XDN100	204	104	180			
DN200XDN150	204	154	180			

**SANITARY PIPE FITTINGS DIN SERIES**  
卫生级管件DIN系列

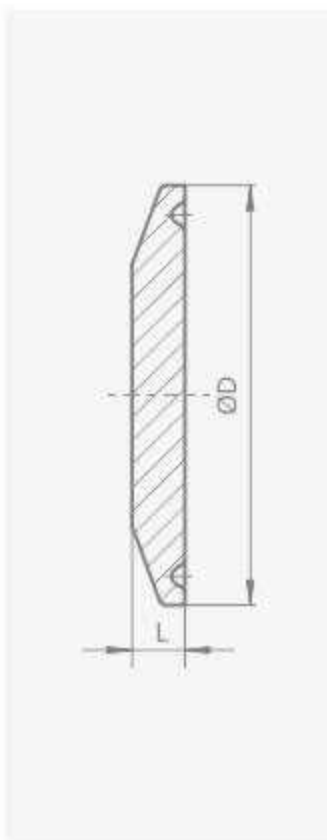


夹式变径三通 / Clamp Long Reducing Tee								
Size	ØD	Ød	L	L1	T	t		
DN15XDN10	18	19	12	13	70	35	1.5	1.5
DN20XDN15	22	23	18	19	80	40		
DN25XDN15	28	29	18	19	100	50		
DN25XDN20			22	23	100	50		
DN32XDN25	34	35	28	29	110	55		
DN40XDN25	40	41	28	29	120	60		
DN40XDN32			34	35	120	60		
DN50XDN25	52	53	28	29	140	70		
DN50XDN32			34	35	140	70		
DN50XDN40			40	41	140	70		
DN65XDN25	70		28	29	160	80		
DN65XDN40			40	41	160	80		
DN65XDN50			52	53	160	80		
DN80XDN25	85		28	29	180	90		
DN80XDN40			40	41	180	90		
DN80XDN50			52	53	180	90		
DN80XDN65			70	180	90	2		
DN100XDN25	104		28	29	200	100		
DN100XDN40			40	41	200	100		
DN100XDN50			52	53	200	100		
DN100XDN65			70	200	100			
DN100XDN80			85	200	100	2		
DN125XDN25	129		28	29	375	187		
DN125XDN40			40	41	375	187		
DN125XDN50			52	53	375	187		
DN125XDN65			70	375	187			
DN125XDN80			85	375	187			
DN125XDN100			104	375	187			
DN150XDN25	154		28	29	450	225		
DN150XDN40			40	41	450	225		
DN150XDN50			52	53	450	225		
DN150XDN65			70	450	225			
DN150XDN80			85	450	225			
DN150XDN100			104	450	225			
DN150XDN125	129	450	225					

**SANITARY PIPE FITTINGS DIN SERIES**  
卫生级管件DIN系列



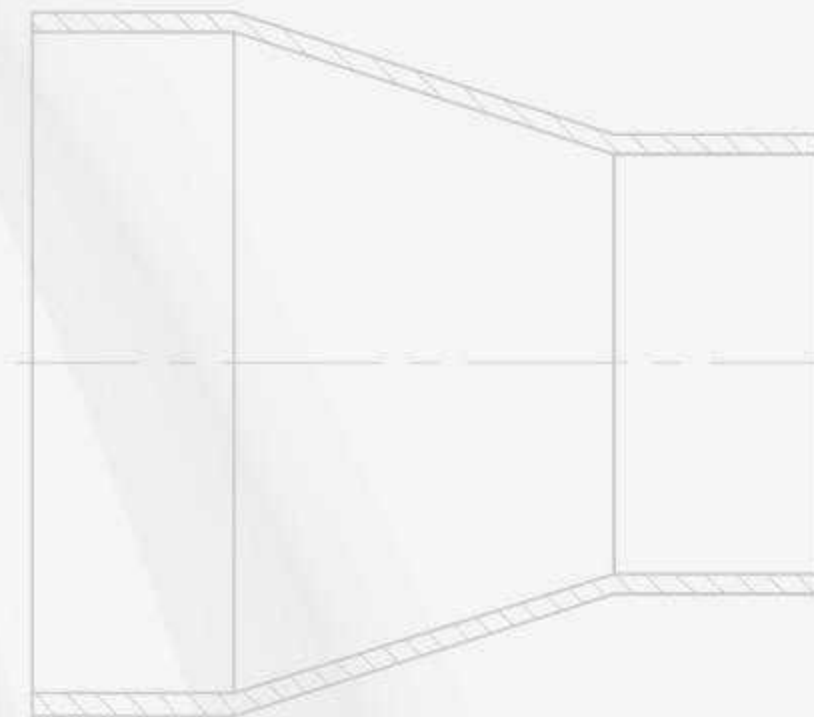
卡箍接头 / Ferrule										
Size	推荐系列		第1系列		第2系列		第3系列		ØD	L
	ØA	ØB	ØA	ØB	ØA	ØB	ØA	ØB		
DN10	9	12	10	12	10	13	11	14	34	18
DN15	15	18	16	18	16	19	17	20	34	18
DN20	19	22	20	22	20	23	21	24	34	18
DN25	25	28	26	28	26	29	27	30	50.5	21.5
DN32	31	34	32	34	32	35	33	36	50.5	21.5
DN40	37	40	38	40	38	41	38	42	50.5	21.5
DN50	49	52	50	52	50	53	50	54	64	21.5
DN65	66	70	66	70	66	70	66	70	91	28
DN80	81	85	81	85	81	85	81	85	106	28
DN100	100	104	100	104	100	104	100	104	119	28
DN125	125	129	125	129	125	129	125	129	144.5	28
DN125	125	129	125	129	125	129	125	129	155	28
DN150	150	154	150	154	150	154	150	154	183	28
DN200	200	204	200	204	200	204	200	204	233.5	28
DN250	250	254	250	254	250	254	250	254	270	28
DN300	300	304	300	304	300	304	300	304	319.3	28



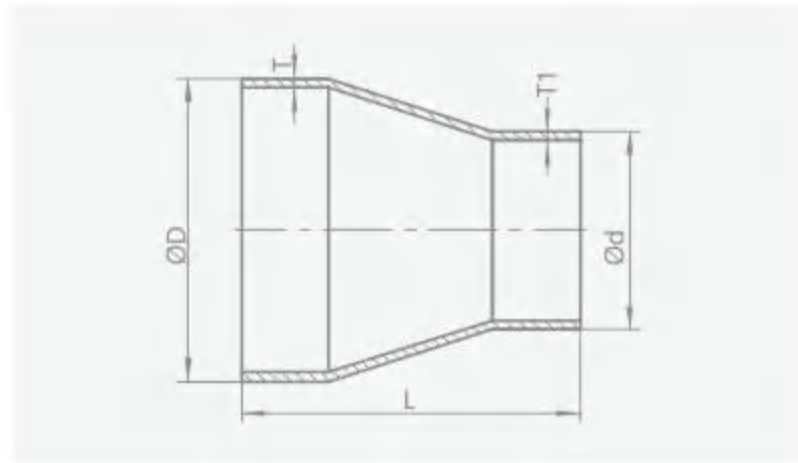
卡箍盲板 / End Cap		
Size	ØD	L
DN10	34	6.3
DN15	34	
DN20	34	
DN25	50.5	
DN32	50.5	
DN40	50.5	
DN50	64	7.9
DN65	91	
DN80	106	
DN100	119	
DN125	155	
DN125	144.5	
DN150	183	11.1
DN200	233.5	
DN250	270	

**SANITARY  
PIPE FITTINGS  
ISO SERIES**  
卫生级管件ISO系列

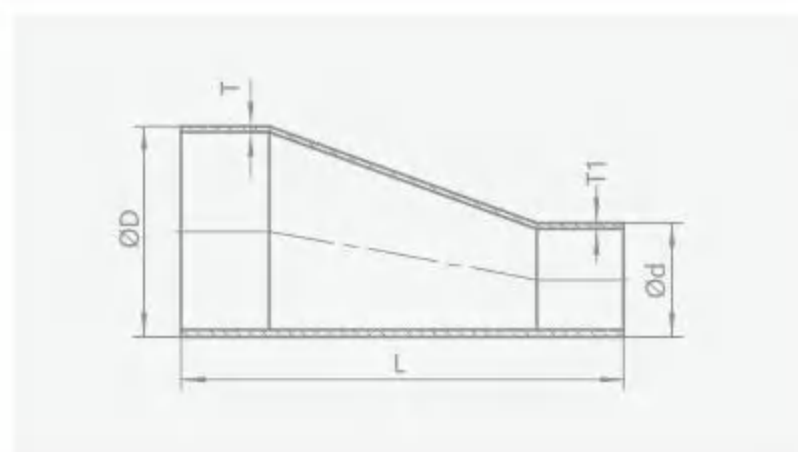
**06**



**SANITARY PIPE FITTINGS ISO SERIES**  
卫生级管件ISO系列

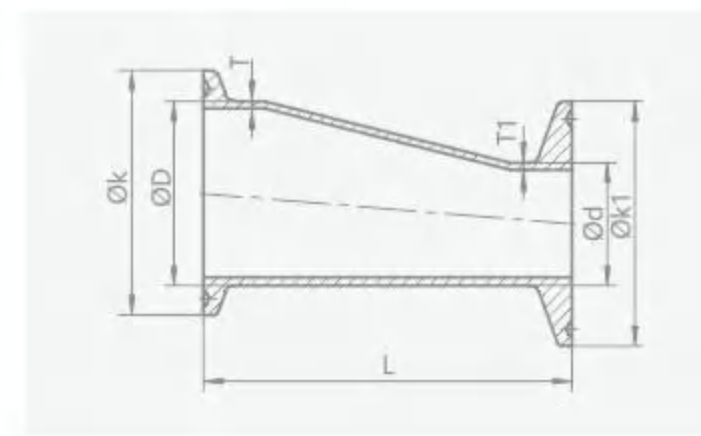


焊式同心大小头(加直端) / Weld Concentric Reducer (With Straight End)						
Size	L	ØD	Ød	T	T1	
25×19	38	25.4	19.1	1.5	1.5	
32×25	50	31.8	25.4	1.5	1.5	
38×32	50	38.1	31.8	1.5	1.5	
38×25	50	38.1	25.4	1.5	1.5	
51×38	67	50.8	38.1	1.5	1.5	
51×32	67	50.8	31.8	1.5	1.5	
51×25	67	50.8	25.4	1.5	1.5	
63×51	67	63.5	50.8	2.0	1.5	
63×38	67	63.5	38.1	2.0	1.5	
63×25	67	63.5	25.4	2.0	1.5	
76×63	67	76.2	63.5	2.0	2.0	
76×51	67	76.2	50.8	2.0	1.5	
76×38	67	76.2	38.1	2.0	1.5	
89×76	67	89	76.2	2.0	2.0	
89×63	67	89	63.5	2.0	2.0	
89×51	67	89	50.8	2.0	1.5	
102×89	87	101.6	89	2.0	2.0	
102×76	87	101.6	76.2	2.0	2.0	
102×63	87	101.6	63.5	2.0	2.0	
102×51	87	101.6	50.8	2.0	1.5	

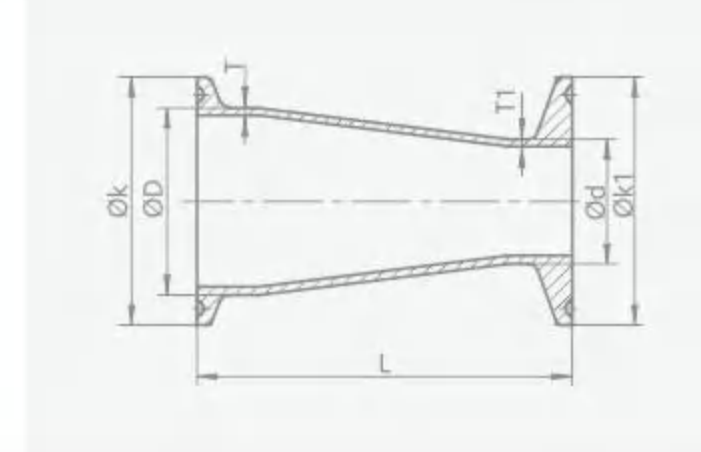


焊式偏心大小头(加直端) / Weld Eccentric Reducer (With Straight End)						
Size	L	ØD	Ød	T	T1	
25×19	38	25.4	19.1	1.5	1.5	
32×25	50	31.8	25.4	1.5	1.5	
38×32	50	38.1	31.8	1.5	1.5	
38×25	50	38.1	25.4	1.5	1.5	
51×38	67	50.8	38.1	1.5	1.5	
51×32	67	50.8	31.8	1.5	1.5	
51×25	67	50.8	25.4	1.5	1.5	
63×51	67	63.5	50.8	2.0	1.5	
63×38	67	63.5	38.1	2.0	1.5	
63×25	67	63.5	25.4	2.0	1.5	
76×63	67	76.2	63.5	2.0	2.0	
76×51	67	76.2	50.8	2.0	1.5	
76×38	67	76.2	38.1	2.0	1.5	
89×76	67	89	76.2	2.0	2.0	
89×63	67	89	63.5	2.0	2.0	
89×51	67	89	50.8	2.0	1.5	
102×89	87	101.6	89	2.0	2.0	
102×76	87	101.6	76.2	2.0	2.0	
102×63	87	101.6	63.5	2.0	2.0	
102×51	87	101.6	50.8	2.0	1.5	

**SANITARY PIPE FITTINGS ISO SERIES**  
卫生级管件ISO系列

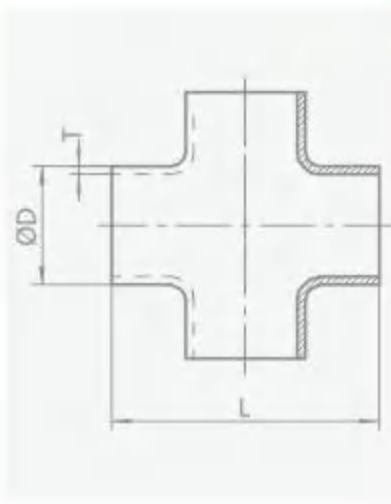


夹式偏心大小头 / Clamp Eccentric Reducer							
Size	ØD	Ød	Øk	Øk1	L	T	T1
25×19	25.4	19.1	50.5	34	80	1.5	1.5
32×25	31.8	25.4	50.5	50.5	92	1.5	1.5
38×32	38.1	31.8	50.5	50.5	92	1.5	1.5
38×25	38.1	25.4	50.5	50.5	92	1.5	1.5
51×38	50.8	38.1	64	50.5	109	1.5	1.5
51×32	50.8	31.8	64	50.5	109	1.5	1.5
51×25	50.8	25.4	64	50.5	109	1.5	1.5
63×51	63.5	50.8	77.5	64	109	2.0	1.5
63×38	63.5	38.1	77.5	50.5	109	2.0	1.5
63×25	63.5	25.4	77.5	50.5	109	2.0	1.5
76×63	76.2	63.5	91	77.5	109	2.0	2.0
76×51	76.2	50.8	91	64	109	2.0	1.5
76×38	76.2	38.1	91	50.5	109	2.0	1.5
89×76	89	76.2	106	91	109	2.0	2.0
89×63	89	63.5	106	77.5	109	2.0	2.0
89×51	89	50.8	106	64	109	2.0	1.5
102×89	101.6	89	119	106	129	2.0	2.0
102×76	101.6	76.2	119	91	129	2.0	2.0
102×63	101.6	63.5	119	77.5	129	2.0	2.0
102×51	101.6	50.8	119	64	129	2.0	1.5

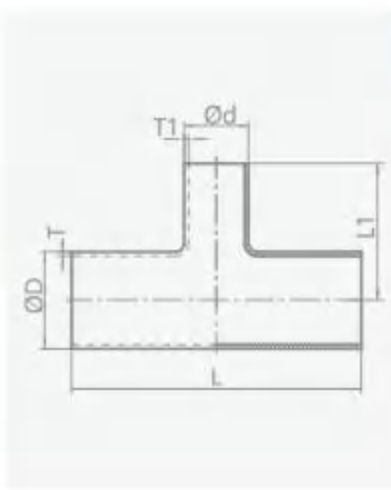


夹式同心大小头 / Clamp Concentric Reducer							
Size	ØD	Ød	Øk	Øk1	L	T	T1
25×19	25.4	19.1	50.5	34	80	1.5	1.5
32×25	31.8	25.4	50.5	50.5	92	1.5	1.5
38×32	31.8	31.8	50.5	50.5	92	1.5	1.5
38×25	31.8	25.4	50.5	50.5	92	1.5	1.5
51×38	50.8	38.1	64	50.5	109	1.5	1.5
51×32	50.8	31.8	64	50.5	109	1.5	1.5
51×25	50.8	25.4	64	50.5	109	1.5	1.5
63×51	63.5	50.8	77.5	64	109	2.0	1.5
63×38	63.5	38.1	77.5	50.5	109	2.0	1.5
63×25	63.5	25.4	77.5	50.5	109	2.0	1.5
76×63	76.2	63.5	91	77.5	109	2.0	2.0
76×51	76.2	50.8	91	64	109	2.0	1.5
76×38	76.2	38.1	91	50.5	109	2.0	1.5
89×76	89	76.2	106	91	109	2.0	2.0
89×63	89	63.5	106	77.5	109	2.0	2.0
89×51	89	50.8	106	64	109	2.0	1.5
102×89	101.6	89	119	106	129	2.0	2.0
102×76	101.6	76.2	119	91	129	2.0	2.0
102×63	101.6	63.5	119	77.5	129	2.0	2.0
102×51	101.6	50.8	119	64	129	2.0	1.5

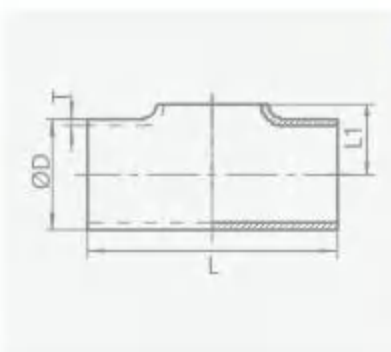
**SANITARY PIPE FITTINGS ISO SERIES**  
卫生级管件ISO系列



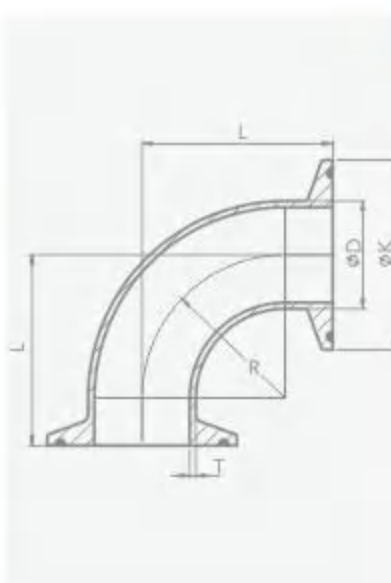
焊式等径四通 / Weld 4 Way Equal Cross				
Size	ØD	L	T	
12.7	12.7	38	1.5	
19.1	19.1	57	1.5	
25	25.4	67	1.5	
32	31.8	76	1.5	
38	38.1	97	1.5	
45	45	108	1.5	
51	50.8	121	1.5	
57	57	134	2	
63	63.5	167	2	
76	76.2	177	2	
89	89	207	2	
102	101.6	254	2	



焊式变径三通 / Weld Reducing Tee						
Size	L	L1	ØD	Ød	T	T1
32×25	76	38	31.8	25.4	1.5	1.5
38×25	97	48.5	38.1	25.4	1.5	1.5
38×32	97	48.5	38.1	31.8	1.5	1.5
51×32	121	60.5	50.8	31.8	1.5	1.5
51×38	121	60.5	50.8	38.1	1.5	1.5
63×51	167	83.5	63.5	50.8	2	1.5
76×51	177	88.5	76.2	50.8	2	1.5
76×63	177	88.5	76.2	63.5	2	2
102×51	254	127	101.6	50.8	2	1.5
102×63	254	127	101.6	63.5	2	2
102×76	254	127	101.6	76.2	2	2

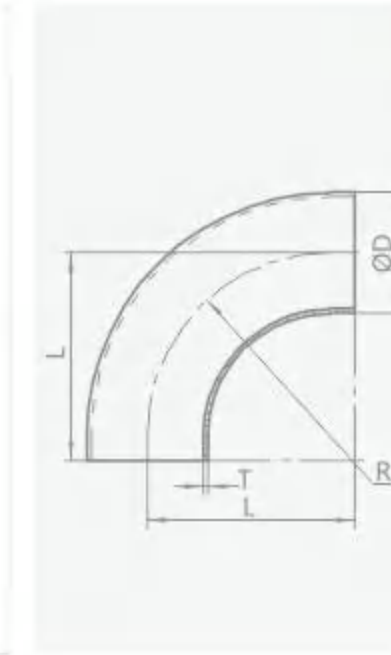


焊式等径平口三通 / Weld Equal Tee (Without Straight End)				
Size	ØD	L	L1	T
25	25.4	67	14.7	1.5
32	31.8	76	17.9	1.5
38	38.1	97	21	1.5
51	50.8	121	27.4	1.5
63	63.5	167	33.8	2
76	76.2	177	40.1	2
89	89	207	46.5	2
102	101.6	254	52.8	2

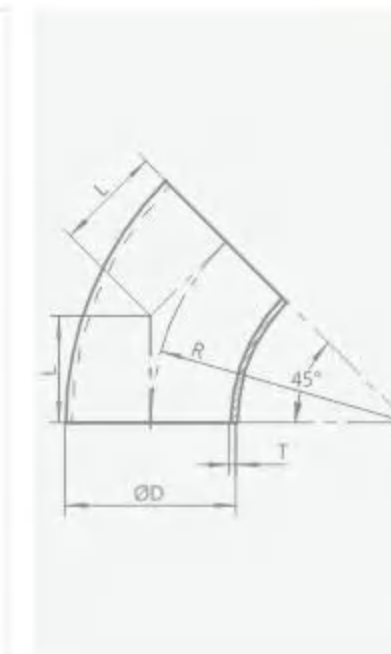


90°夹式短弯头 / 90° Clamp Short Elbow					
Size	L	ØK	ØD	R	T
12.7	31.8	34	12.7	19.1	1.5
19.1	41.2	34	19.1	28.5	1.5
25	55	50.5	25.4	33.5	1.5
32	59.5	50.5	31.8	38	1.5
38	70	50.5	38.1	48.5	1.5
45	75.5	64	45	54	1.5
51	82	64	50.8	60.5	1.5
57	89.5	77.5	57	68	2
63	105	77.5	63.5	83.5	2
76	110	91	76.2	88.5	2
89	125	106	89	103.5	2
102	148.5	119	101.6	127	2
127	212	145	127	190.5	2
152	250	166.9	152	228.6	2

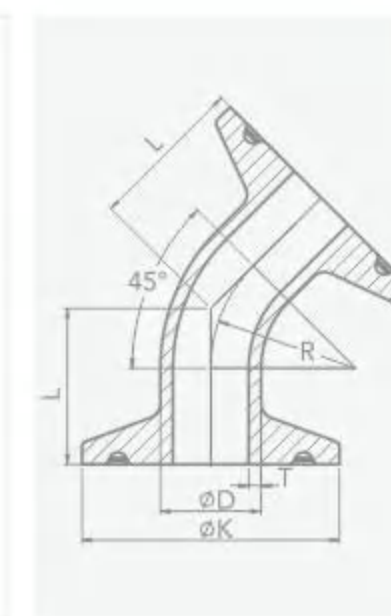
**SANITARY PIPE FITTINGS ISO SERIES**  
卫生级管件ISO系列



90°焊式弯头 / 90° Weld Elbow				
Size	L	ØD	R	T
12.7	19.1	12.7	19.1	1.5
19.1	28.5	19.1	28.5	1.5
25	33.5	25.4	33.5	1.5
32	38	31.8	38	1.5
38	48.5	38.1	48.5	1.5
45	54	45	54	1.5
51	60.5	50.8	60.5	1.5
57	68	57	68	2
63	83.5	63.5	83.5	2
76	88.5	76.2	88.5	2
89	103.5	89	103.5	2
102	127	101.6	127	2
127	190.5	127	190.5	2
152	228.6	152.4	228.6	2



45°焊式短弯头 / 45° Weld Short Elbow				
Size	L	ØD	R	T
12.7	7.9	12.7	19.1	1.5
19.1	11.8	19.1	28.5	1.5
25	13.9	25.4	33.5	1.5
32	15.7	31.8	38	1.5
38	20.1	38.1	48.5	1.5
45	23.8	45	54	1.5
51	25.1	50.8	60.5	1.5
57	28.1	57	68	2
63	34.6	63.5	83.5	2
76	36.7	76.2	88.5	2
89	42.9	89	103.5	2
102	52.6	101.6	127	2



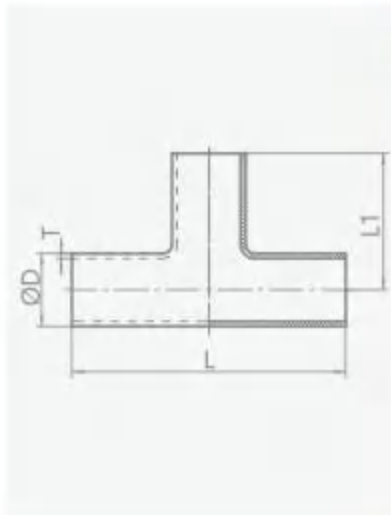
45°夹式弯头 / 45° Tri Clamp Elbow					
Size	L	ØD	ØK	R	T
12.7	20.6	12.7	34	19.1	1.5
19.1	24.5	19.1	34	28.5	1.5
25	26.6	25.4	50.5	33.5	1.5
32	28.4	31.8	50.5	38	1.5
38	32.8	38.1	50.5	48.5	1.5
45	36.5	45	64	54	1.5
51	37.8	50.8	64	60.5	1.5
63	47.3	63.5	77.5	83.5	2
76	49.4	76.2	91	88.5	2
89	55.6	89	106	103.5	2
102	68.4	101.6	119	127	2



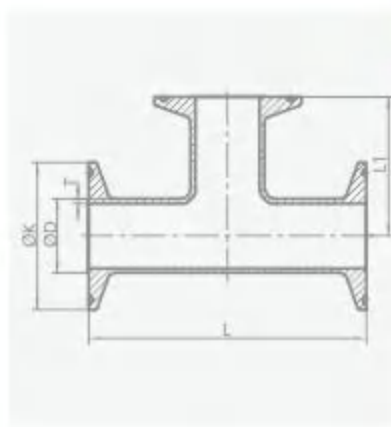
**SANITARY PIPE FITTINGS ISO SERIES**  
卫生级管件ISO系列



45°焊式长弯头 / 45° Weld Long Elbow					
Size	L	L1	ØD	R	T
25	30.2	16.3	25.4	33.5	1.5
38	41.3	21.2	38.1	48.5	1.5
51	58.7	33.6	50.8	60.5	1.5
63	76.2	41.6	63.5	83.5	2
76	93.7	57	76.2	88.5	2
102	122.2	69.6	101.6	127	2



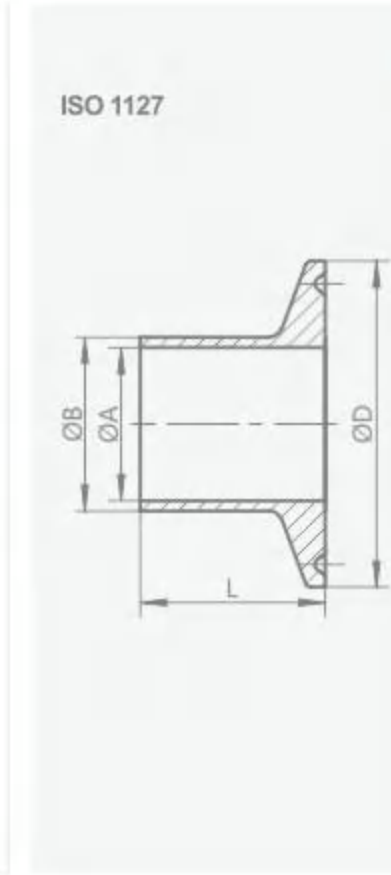
焊式等径三通 / Weld Equal Tee				
Size	ØD	L	L1	T
12.7	12.7	38.2	19.1	1.5
19.1	19.1	57	28.5	1.5
25	25.4	67	33.5	1.5
32	31.8	76	38	1.5
38	38.1	97	48.5	1.5
45	45	108	54	1.5
51	50.8	121	60.5	1.5
57	57	136	68	2
63	63.5	167	83.5	2
76	76.2	177	88.5	2
89	89	207	103.5	2
102	101.6	254	127	2



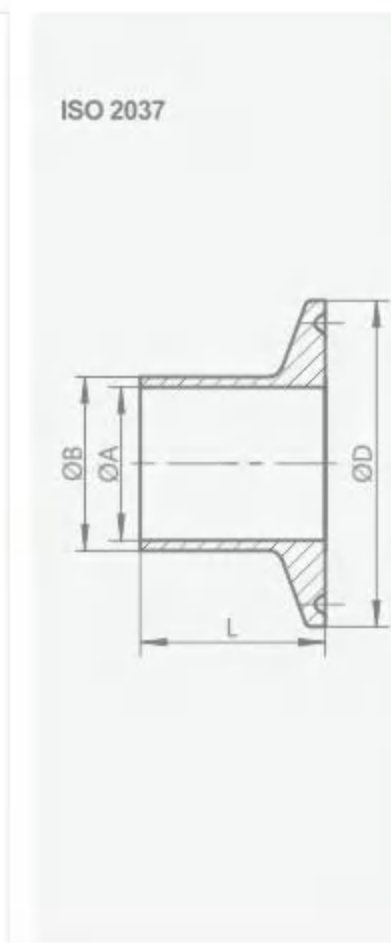
夹式等径三通 / Clamp Equal Tee					
Size	ØD	ØK	L	L1	T
25	25.4	50.5	110	55	1.5
32	31.8	50.5	119	59.5	1.5
38	38.1	50.5	140	70	1.5
51	50.8	64	164	82	1.5
63	63.5	77.5	210	105	2
76	76.2	91	220	110	2
89	89	106	252	126	2
102	101.6	119	297	148.5	2



**SANITARY PIPE FITTINGS ISO SERIES**  
卫生级管件ISO系列

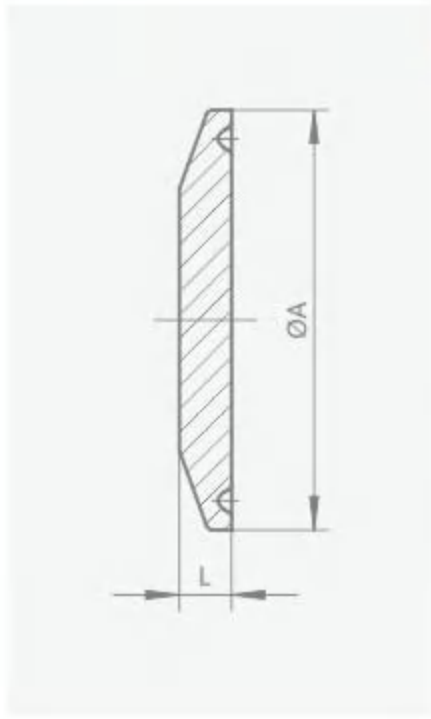


14AMP卡箍接头 / ISO1127 14AMP Ferrule				
DN	ØA	ØB	ØD	L
8	10.3	13.5	34.0	28.6
12	14.0	17.2	34.0	
15	18.1	21.3	34.0	
20	23.7	26.9	50.5	
25	30.5	33.7	50.5	
32	39.2	42.4	50.5	
40	45.1	48.3	64.0	
50	56.3	60.3	77.5	
65	72.1	76.1	91.0	
80	84.9	88.9	106.0	
100	109.1	114.3	130.0	
125	133.7	139.7	155.0	
150	162.3	168.3	183.0	
200	211.1	219.1	233.5	



14AMP卡箍接头 / ISO2037 14AMP Ferrule				
DN	ØA	ØB	ØD	L
19	16	19	34.0	28.6
25	22.4	25.4	50.5	
32	29	32	50.5	
38	35.1	38.1	50.5	
45	41	45	64.0	
48	45	48	64.0	
51	47.8	50.8	64.0	
57	53	57	77.5	
63	59.5	63.5	77.5	
76	72.2	76.2	91.0	
80	81	85	106.0	
89	85	89	106.0	
102	97.6	101.6	130.0	
108	104	108	130.0	
133	127	133	155.0	
159	153	159	183.0	
219	211	219	233.5	

**SANITARY PIPE FITTINGS ISO SERIES**  
卫生级管件ISO系列



卡箍盲板 / End Cap		
DN	ØA	L
8~15	34.0	6.3
20	50.5	
25	50.5	
32	50.5	
40	64.0	
50	77.5	
65	91.0	7.9
80	106.0	
100	130.0	
125	155.0	11.1
150	183.0	
200	233.5	

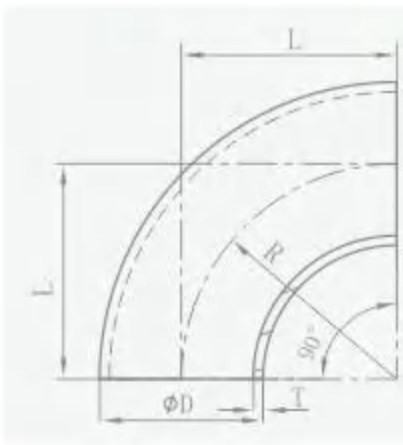
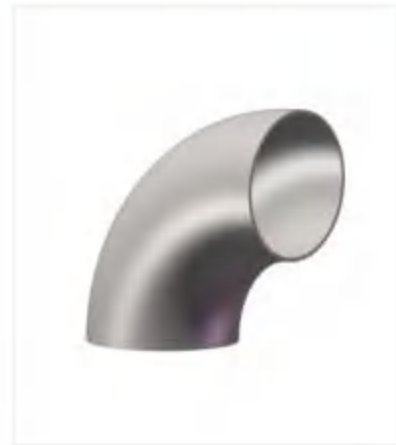


**SANITARY  
PIPE FITTINGS  
SMS SERIES**  
卫生级管件SMS系列

07



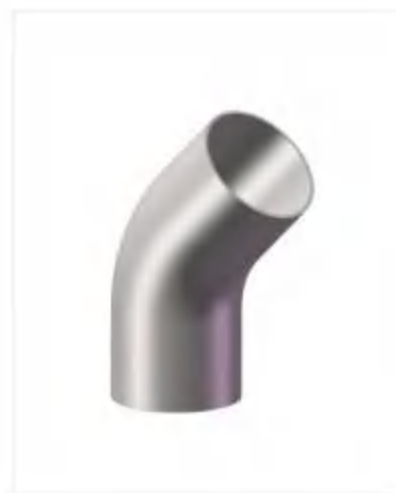
**SANITARY PIPE FITTINGS SMS SERIES**  
卫生级管件SMS系列



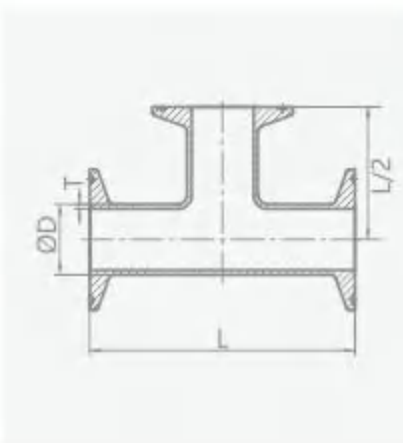
90°焊式短弯头 / 90° Weld Short Elbow					
Size	ØD	L	R	T	
25	25.4	38.1	38.1	1.25	
32	31.8	47.7	47.7	1.25	
38	38.1	57.2	57.2	1.25	
51	50.8	76.2	76.2	1.25	
63.5	63.5	95.3	95.3	1.6	
76	76.2	114.3	114.3	1.6	
101.6	101.6	152.4	152.4	2	
104	104	152.4	152.4	2	



90°焊式长弯头 / 90° Weld Long Elbow						
Size	ØD	R=1D		R=1.5D		T
		L	R	L	R	
25	25.4	55	25.4	52.4	38.1	1.25
32	31.8	64	31.8	64	47.7	1.25
38	38.1	70	38.1	74.6	57.2	1.25
51	50.8	82	50.5	103.2	76.2	1.25
63.5	63.5	105	63.5	131.8	95.3	1.6
76	76.2	110	76.2	160.3	114.3	1.6
101.6	101.6	150	101.6	211.1	152.4	2
104	104	150	101.6	211.1	152.4	2

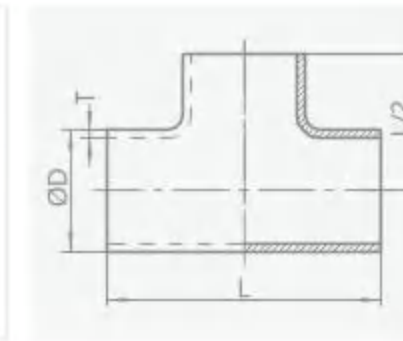
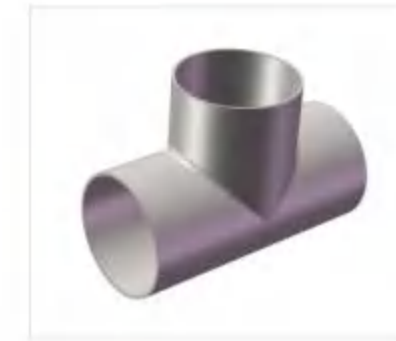


45°焊式长弯头 / 45° Weld Long Elbow					
Size	ØD	L	R	T	
25	25.4	30.2	38.1	1.25	
32	31.8	35.8	47.7	1.25	
38	38.1	41.3	57.2	1.25	
51	50.8	58.7	76.2	1.25	
63.5	63.5	76.2	95.3	1.6	
76	76.2	93.7	114.3	1.6	
101.6	101.6	122.2	152.4	2	
104	104	122.2	152.4	2	

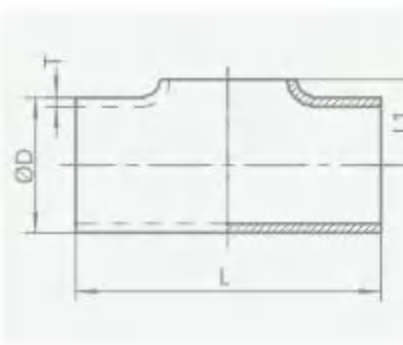


夹式等径三通 / Clamp Equal Tee				
Size	ØD	L	T	
25	25.4	135.4	1.25	
32	31.8	135.4	1.25	
38	38.1	165.4	1.25	
51	50.8	189.4	1.25	
63.5	63.5	235.4	1.6	
76	76.2	245.4	1.6	
104	101.6	331.6	2	

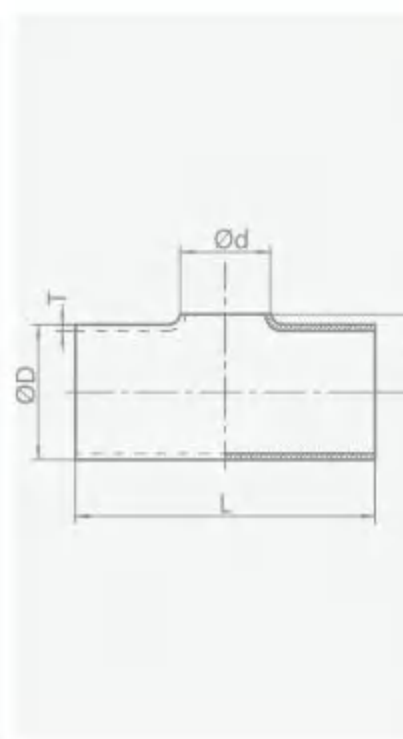
**SANITARY PIPE FITTINGS SMS SERIES**  
卫生级管件SMS系列



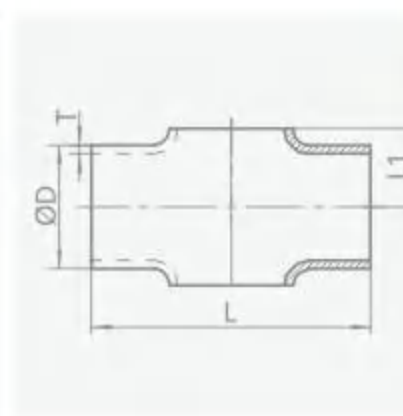
焊式等径三通 / Weld Equal Tee				
Size	ØD	L	T	
25	25.4	110	1.25	
38	38.1	140	1.25	
51	50.8	164	1.25	
63.5	63.5	210	1.5	
76	76.2	220	1.6	
101.6	101.6	300	2	



焊式等径平口三通 / Weld Equal Tee (Without Straight End)					
Size	ØD	L	L1	T	
25	25.4	110	14.7	1.25	
38	38.1	140	21	1.25	
51	50.8	164	27.5	1.25	
63.5	63.5	210	33.8	1.5	
76	76.2	220	40.1	1.6	
101.6	101.6	300	52.8	2	

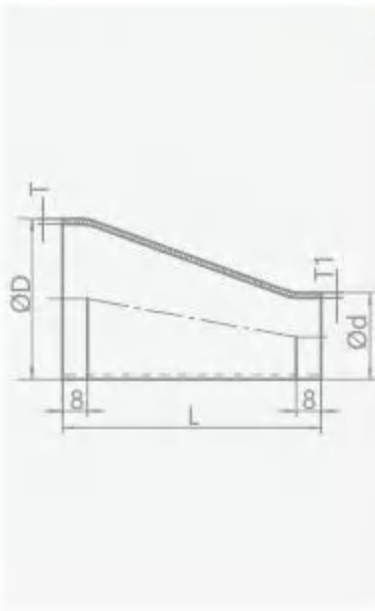


焊式变径平口三通 / Weld Equal Tee (Without Straight End)					
Size	ØD	Ød	L	L1	T
38X25	38.1	25.4	140	21	1.25
51X25	50.8	25.4	164	27.5	1.25
51X38	50.8	38.1	164	27.5	1.25
63.5X25	63.5	25.4	210	33.8	1.5
63.5X38	63.5	38.1	210	33.8	1.5
63.5X51	63.5	50.8	210	33.8	1.5
76X25	76.2	25.4	220	40.1	1.6
76X38	76.2	38.1	220	40.1	1.6
76X51	76.2	50.8	220	40.1	1.6
76X63.5	76.2	63.5	220	40.1	1.6
104X25	104	25.4	300	52.8	2
104X38	104	38.1	300	52.8	2
104X51	104	50.8	300	52.8	2
104X63.5	104	63.5	300	52.8	2
104X76	104	76.2	300	52.8	2

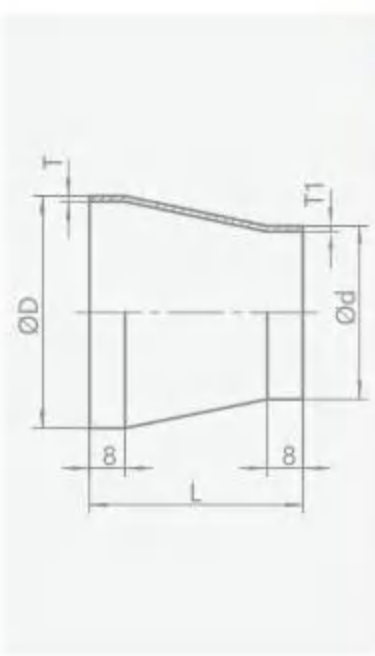


焊式等径平口四通 / Weld 4 Way Equal Cross (Without Straight End)				
Size	ØD	L	L1	T
25	25.4	110	14.7	1.25
38	38.1	140	21	1.25
51	50.8	164	27.5	1.25
63.5	63.5	210	33.8	1.5
76	76.2	220	40.1	1.6
101.6	101.6	300	52.8	2

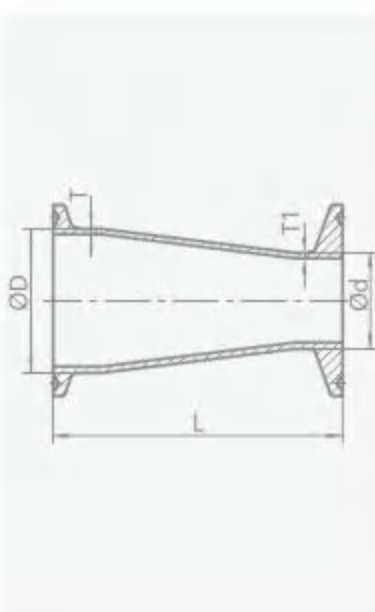
**SANITARY PIPE FITTINGS SMS SERIES**  
卫生级管件SMS系列



焊式偏心大小头(加直端) / Weld Eccentric Reducer (With Straight End)					
Size	ØD	Ød	L	T	T1
38X25	38.1	25.4	46	1.25	1.25
51X25	50.8	25.4	68	1.25	1.25
51X38	50.8	38.1	47	1.25	1.25
63.5X25	63.5	25.4	92	1.5	1.25
63.5X38	63.5	38.1	70	1.5	1.25
63.5X51	63.5	50.8	44	1.5	1.25
76X38	76.2	38.1	92	1.6	1.25
76X51	76.2	50.8	68	1.6	1.25
76X63.5	76.2	63.5	47	1.6	1.5
101.6X51	101.6	50.8	117	2	1.25
101.6X63.5	101.6	63.5	94	2	1.5
101.6X76	101.6	76.2	74	2	1.6



焊式同心大小头(加直端) / Weld Concentric Reducer (With Straight End)					
Size	ØD	Ød	L	T	T1
38X25	38.1	25.4	46	1.25	1.25
51X25	50.8	25.4	68	1.25	1.25
51X38	50.8	38.1	47	1.25	1.25
63.5X25	63.5	25.4	92	1.5	1.25
63.5X38	63.5	38.1	70	1.5	1.25
63.5X51	63.5	50.8	44	1.5	1.25
76X38	76.2	38.1	92	1.6	1.25
76X51	76.2	50.8	68	1.6	1.25
76X63.5	76.2	63.5	47	1.6	1.5
101.6X38	101.6	38.1	117	2	1.6
101.6X51	101.6	50.8	117	2	1.25
101.6X63.5	101.6	63.5	94	2	1.5
101.6X76	101.6	76.2	74	2	1.6

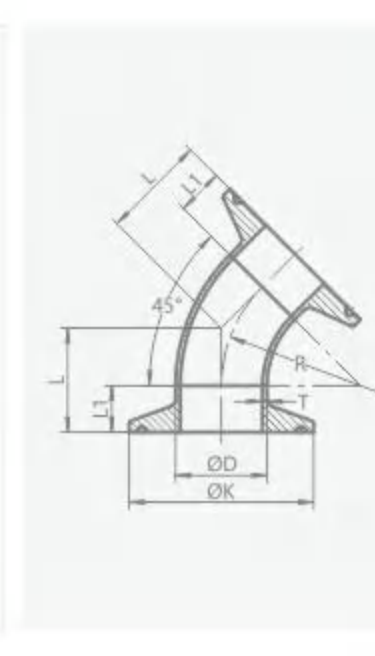


夹式同心大小头 / Clamp Concentric Reducer					
Size	ØD	Ød	L	T	T1
38X25	38.1	25.4	64.4	1.25	1.25
51X25	50.8	25.4	82.4	1.25	1.25
51X38	50.8	38.1	64.4	1.25	1.25
63.5X25	63.5	25.4	99.4	1.5	1.25
63.5X38	63.5	38.1	82.4	1.5	1.25
63.5X51	63.5	50.8	64.4	1.5	1.25
76X38	76.2	38.1	99.4	1.6	1.25
76X51	76.2	50.8	82.4	1.6	1.25
76X63.5	76.2	63.5	64.4	1.6	1.5
101.6X51	101.6	50.8	123.5	2	1.25
101.6X63.5	101.6	63.5	106.5	2	1.5
101.6X76	101.6	76.2	88.5	2	1.6

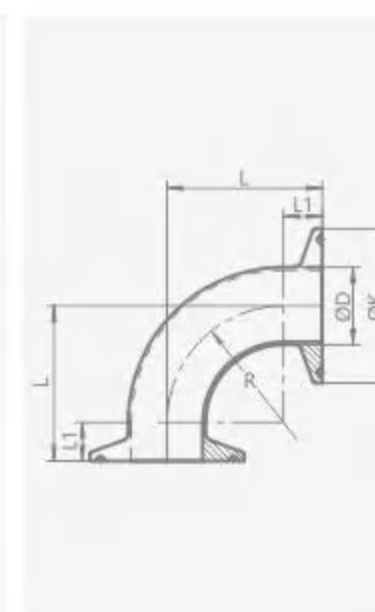
**SANITARY PIPE FITTINGS SMS SERIES**  
卫生级管件SMS系列



45°焊式短弯头 / 45° Weld Short Elbow				
Size	ØD	L	R	T
25	25.4	15.8	38.1	1.25
32	31.8	19.8	47.7	
38	38.1	23.7	57.2	
51	50.8	31.6	76.2	1.6
63.5	63.5	39.5	95.3	
76	76.2	47.3	114.3	2
101.6	101.6	63.1	152.4	
104	104	63.1	152.4	

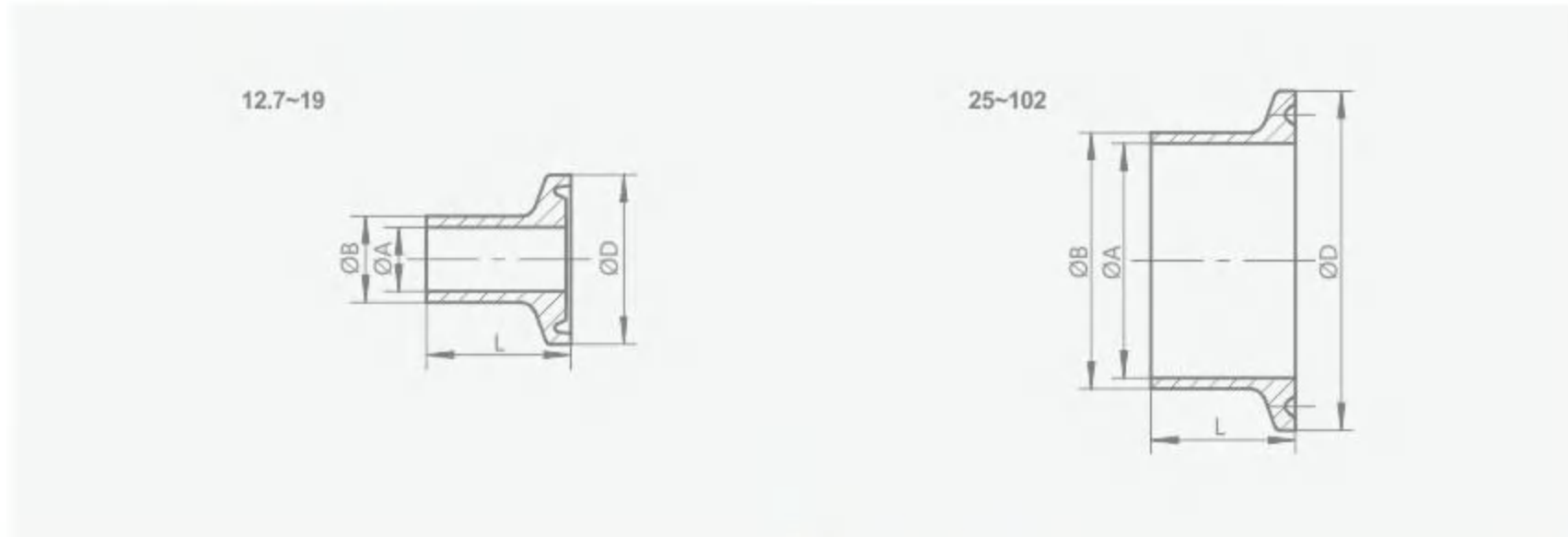


45°夹式弯头 / 45° Clamp Elbow						
Size	ØD	ØK	L	L1	R	T
25	25.4	50.5	28.5	12.7	38.1	1.25
32	31.8	50.5	32.5	12.7	47.7	
38	38.1	50.5	36.4	12.7	57.2	
51	50.8	64	44.3	12.7	76.2	1.6
63.5	63.5	77.5	52.2	12.7	95.3	
76	76.2	91	60	12.7	114.3	2
101.6	101.6	119	78.9	15.8	152.4	
104	104	119	78.9	15.8	152.4	



90°夹式弯头 / 90° Clamp Elbow						
Size	ØD	ØK	L	L1	R	T
25	25.4	50.5	50.8	12.7	38.1	1.25
32	31.8	50.5	60.4	12.7	47.7	
38	38.1	50.5	69.9	12.7	57.2	
51	50.8	64	88.9	12.7	76.2	1.6
63.5	63.5	77.5	108	12.7	95.3	
76	76.2	91	127	12.7	114.3	2
101.6	101.6	119	168.2	15.8	152.4	
104	104	119	168.2	15.8	152.4	

SANITARY PIPE FITTINGS SMS SERIES  
卫生级管件SMS系列



Size	ØA		ØB	ØD	L		
	系列I	系列II			系列I	系列II	系列III
12.7	9.7	10.2	12.7	25.2	12.7	21.5	28.6
19	16.1	16.6	19.1	25.2	12.7	21.5	28.6
25	22.4	22.9	25.4	50.5	12.7	21.5	28.6
38	35.1	35.6	38.1	50.5	12.7	21.5	28.6
51	47.8	48.3	50.8	64	12.7	21.5	28.6
63	59.5	60.5	63.5	77.5	12.7	21.5	28.6
76	72.2	73	76.2	91	12.7	21.5	28.6
102	97.6	97.6	101.6	119	15.8	21.5	28.6



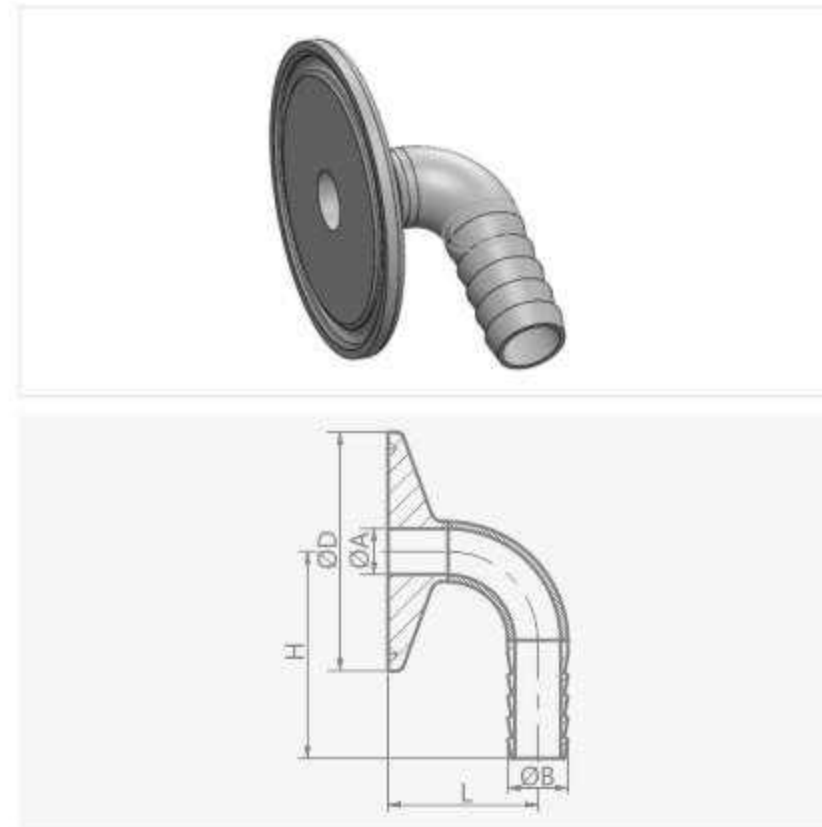
HOSE  
BARB ADAPTER  
3A SERIES  
软管接头3A系列



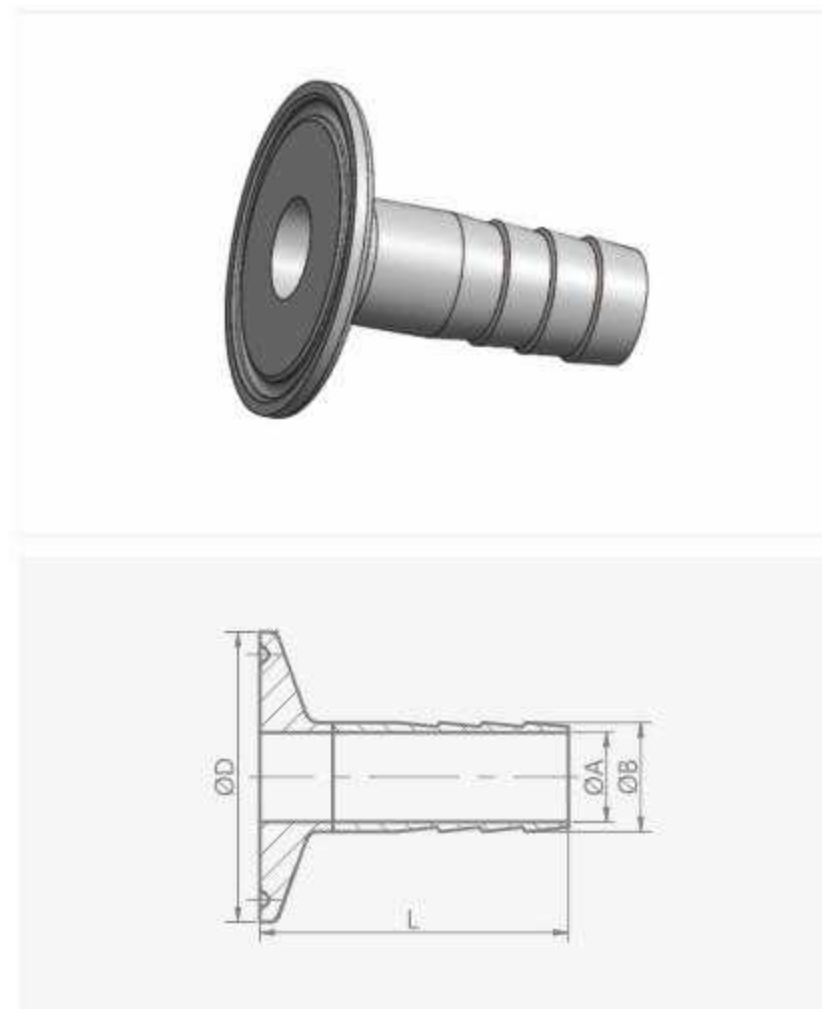
08



### HOSE BARB ADAPTER 3A SERIES 软管接头3A系列



卡箍式90°软管接头 / 90° Clamp Hose Barb Adapter							
Size	ØD		ØA	ØB	L	H	
3/8"	25.2	50.5	64	6.7	10	30	39.8
1/2"	25.2	50.5	64	9.7	12.7	31.8	44.1
5/9"	25.2	50.5	64	11	14	35	51.2
5/8"	25.2	50.5	64	13	16	40	59.3
3/4"	25.2	50.5	64	16	19.1	41.3	60.6
7/8"	50.5	64	19	22	52.7	72.1	
1"	50.5	64	21.4	25.4	50.8	58.8	70.2 84.4
1.25"	50.5	64	27.8	31.8	50.7		79.4
1.5"	50.5	64	34.1	38.1	61.2		89.9
2"	64	77.5	46.8	50.8	82		101.8



卡箍式软管接头 / Clamp Hose Barb Adapter					
Size	ØD		ØA	ØB	L
1/8"	25.2	50.5	1.5	3	35.5
1/4"	25.2	50.5	3	6	35.5
5/16"	25.2	50.5	5	8	54
3/8"	25.2	50.5	6.7	10	54
1/2"	25.2	50.5	9.7	12.7	54
5/8"	25.2	50.5	13	16	54
3/4"	25.2	50.5	16	19.1	54
7/8"	50.5	64	19	22	54
1"	50.5	64	21.4	25.4	54 101.6
1.5"	50.5	64	34.1	38.1	54 101.6
2"	64	77.5	46.8	50.8	101.6
2.5"	77.5	91	59.5	63.5	80
3"	91		72.2	76.2	80

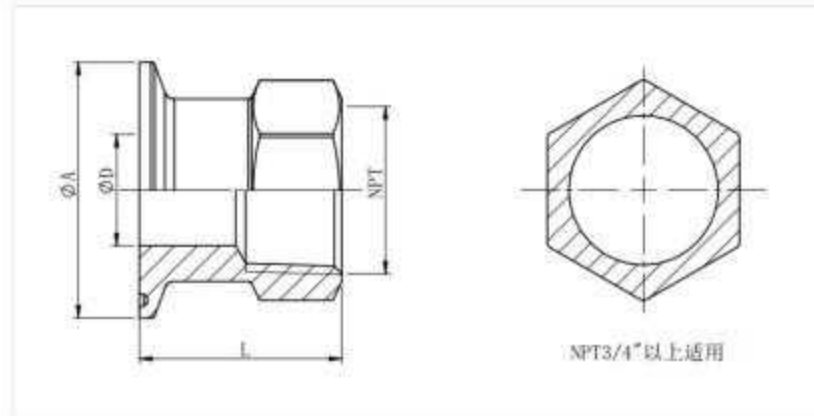
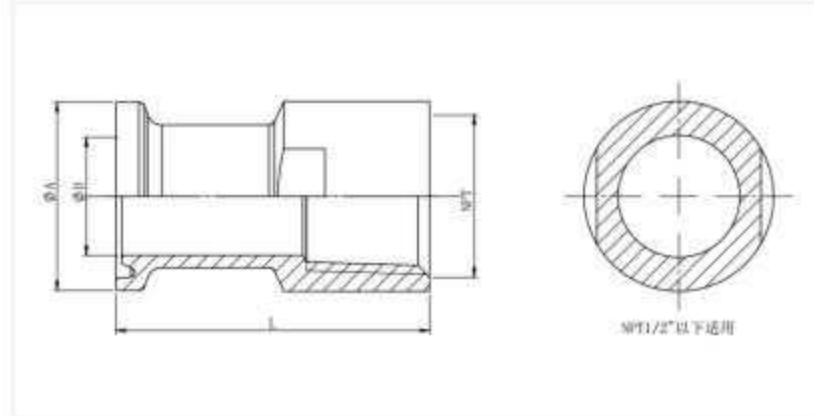
### THREAD ADAPTER 螺纹接头



快装NPT外丝 / Clamp NPT outer wire				
Size	ØA	ØD	L	NPT
1/2**NPT1/8"	25.2	5	30	1/8"
1/2**NPT1/4"	25.2	8	35	1/4"
1/2**NPT1/2"	25.2	9.4	45	1/2"
3/4**NPT3/8"	25.2	11	35	3/8"
3/4**NPT1/2"	25.2	15	47	1/2"
3/4**NPT3/4"	25.2	15.8	44	3/4"
1**NPT1.5"	50.5	22	50	1.5"
1.5**NPT1/4"	50.5	8	35	1/4"
1.5**NPT3/8"	50.5	11	35	3/8"
1.5**NPT1/2"	50.5	15	35	1/2"
1.5**NPT3/4"	50.5	15.8	44	3/4"
1.5**NPT1"	50.5	22	50	1"
1.5**NPT1.25"	50.5	28.5	50	1.25"
1.5**NPT1.5"	50.5	34.8	50	1.5"
1.5**NPT2"	50.5	34.8	50	2"
2**NPT3/8"	64	11	35	3/8"
2**NPT1/2"	64	15	35	1/2"
2**NPT3/4"	64	15.8	44	3/4"
2**NPT1"	64	22	50	1"
2**NPT1.5"	64	34.8	50	1.5"
2**NPT2"	64	47.6	55	2"
2.5**NPT2.5"	77.5	60.2	55	2.5"
3**NPT1/2"	91	15	35	1/2"
3**NPT1"	91	22	50	1"
3**NPT1.5"	91	34.8	50	1.5"
3**NPT3"	91	72.9	60	3"



THREAD ADAPTER  
螺纹接头



快装NPT内丝 / Clamp NPT Endofilament

Size	ØA	ØD	L	NPT
1/2**NPT1/4"	25.2	11.2	30	1/4"
1/2**NPT1/2"	25.2	9.4	35	1/2"
3/4**NPT1/2"	25.2	15.8	42	1/2"
3/4**NPT3/4"	25.2	15.8	40	3/4"
1.5**NPT1/4"	50.5	11.2	30	1/4"
1.5**NPT3/8"	50.5	14	30	3/8"
1.5**NPT1/2"	50.5	16	30	1/2"
1.5**NPT3/4"	50.5	16	40	3/4"
1.5**NPT1"	50.5	22	40	1"
1.5**NPT1.25"	50.5	28.5	40	1.25"
1.5**NPT1.5"	50.5	34.8	45	1.5"
1.5**NPT2"	50.5	34.8	45	2"
1.5**NPT2.5"	50.5	35	60	2.5"
2**NPT1/4"	64	11.2	31	1/4"
2**NPT1/2"	64	16	35	1/2"
2**NPT3/4"	64	16	40	3/4"
2**NPT1"	64	22	40	1"
2**NPT1.5"	64	34.8	45	1.5"
2**NPT2"	64	47.6	45	2"
3**NPT1/2"	91	16	30	1/2"
3**NPT1"	91	22	40	1"
3**NPT3"	91	35	60	3"

尺寸较多，仅只列出部分，具体要求可详询

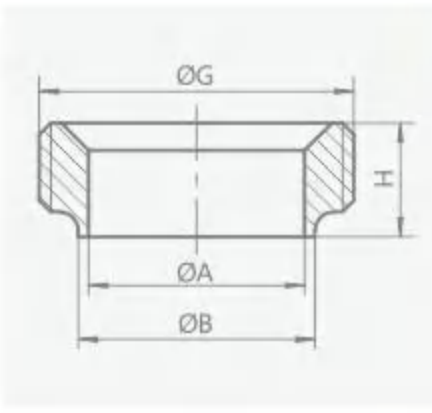
SANITARY  
UNION SERIES

卫生级由任系列

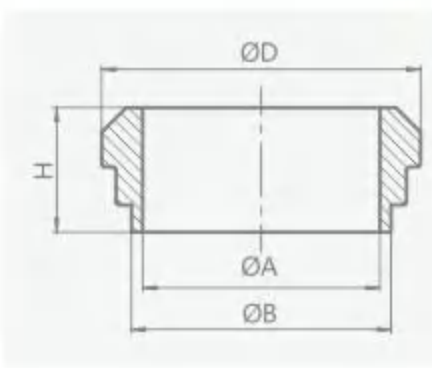
09



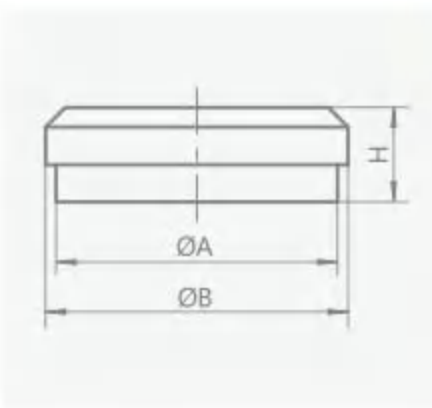
**SANITARY UNION SERIES**  
卫生级由任系列



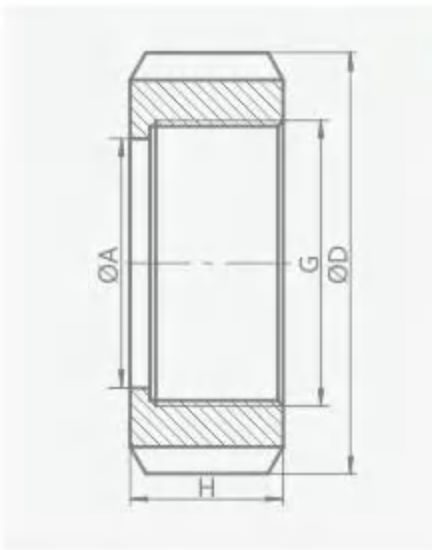
3A短型螺纹接头 / 3A Short Male				
Size	ØA	ØB	ØG	H
1"	22.1	25.4	37.13*8TPI ACME	18.3
1.5"	34.8	38.1	50.65*8TPI ACME	18.3
2"	47.5	50.8	64.16*8TPI ACME	19.1
2.5"	60.2	63.5	77.67*8TPI ACME	22.3
3"	72.9	76.2	91.19*8TPI ACME	23.1
4"	97.6	101.6	119.25*6TPI ACME	26.2



3A短型平接头 / 3A Short Liner				
Size	ØA	ØB	ØD	H
1"	22.1	25.4	33.3	18.3
1.5"	34.8	38.1	46.8	18.3
2"	47.5	50.8	60.3	19.1
2.5"	60.2	63.5	73.8	22.3
3"	72.9	76.2	87.3	23.1
4"	97.6	101.6	114.3	26.2

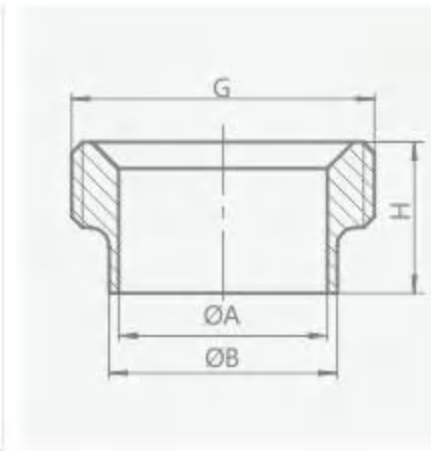


3A堵板 / 3A End Cap			
Size	ØA	ØB	H
1"	29.5	33.3	11.9
1.5"	42.6	46.8	14.3
2"	55.7	60.3	15.9
2.5"	68.8	73.8	16.7
3"	81.9	87.3	18.3
4"	108.1	114.3	20.6

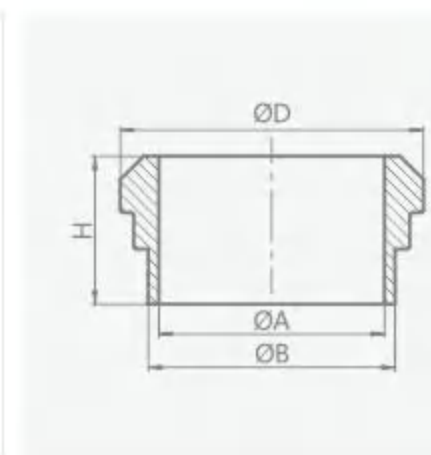


3A圆螺母 / 3A Round Nut				
Size	ØA	G	ØD	H
1"	30.3	38.02*8TPI ACME	46	23
1.5"	43.4	51.54*8TPI ACME	61.1	24.6
2"	56.5	65.05*8TPI ACME	76.2	27
2.5"	69.6	78.56*8TPI ACME	91.3	29.6
3"	82.7	92.08*8TPI ACME	106.4	32.5
4"	108.9	120.14*6TPI ACME	137.6	38.1

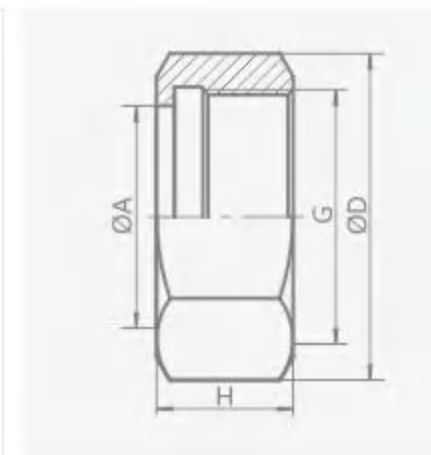
**SANITARY UNION SERIES**  
卫生级由任系列



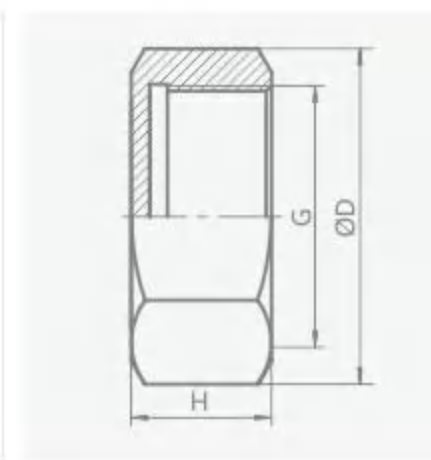
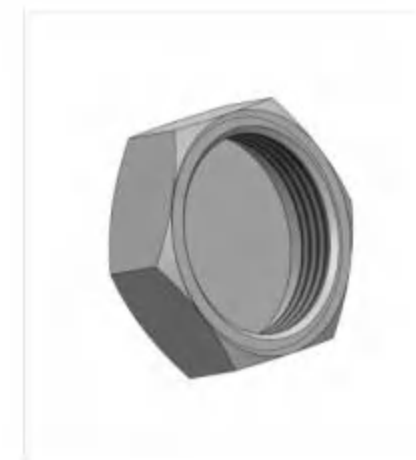
3A长型螺纹接头 / 3A Long Male				
Size	ØA	ØB	G	H
1"	22.1	25.4	37.13*8TPI ACME	34.9
1.5"	34.8	38.1	50.65*8TPI ACME	38.1
2"	47.5	50.8	64.16*8TPI ACME	38.1
2.5"	60.2	63.5	77.67*8TPI ACME	44.5
3"	72.9	76.2	91.19*8TPI ACME	44.5
4"	97.6	101.6	119.25*6TPI ACME	44.5



3A长型平接头 / 3A Long Liner				
Size	ØA	ØB	ØD	H
1"	22.1	25.4	33.3	34.9
1.5"	34.8	38.1	46.8	38.1
2"	47.5	50.8	60.3	38.1
2.5"	60.2	63.5	73.8	44.5
3"	72.9	76.2	87.3	44.5
4"	97.6	101.6	114.3	44.5



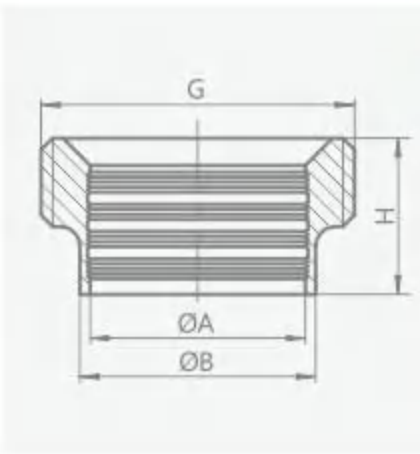
3A六角螺母 / 3A Hexagon Nut				
Size	ØA	G	ØD	H
1"	30.3	38.02*8TPI ACME	53	23
1.5"	43.4	51.54*8TPI ACME	70.6	24.6
2"	56.5	65.05*8TPI ACME	88	27
2.5"	69.6	78.56*8TPI ACME	105.5	29.6
3"	82.7	92.08*8TPI ACME	122.9	32.5
4"	108.9	120.14*6TPI ACME	158.9	38.1



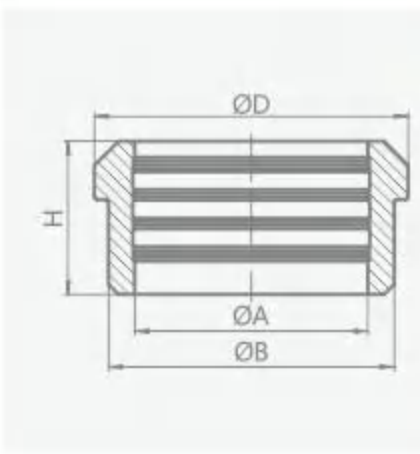
3A六角盲螺母 / 3A Hexagon Blank Nut			
Size	G	ØD	H
1"	38.02*8TPI ACME	52	23
1.5"	51.54*8TPI ACME	70.6	24.6
2"	65.05*8TPI ACME	88	27
2.5"	78.56*8TPI ACME	105.5	29.6
3"	92.08*8TPI ACME	122.9	32.5
4"	120.14*6TPI ACME	158.9	38.1



**SANITARY UNION SERIES**  
卫生级由任系列



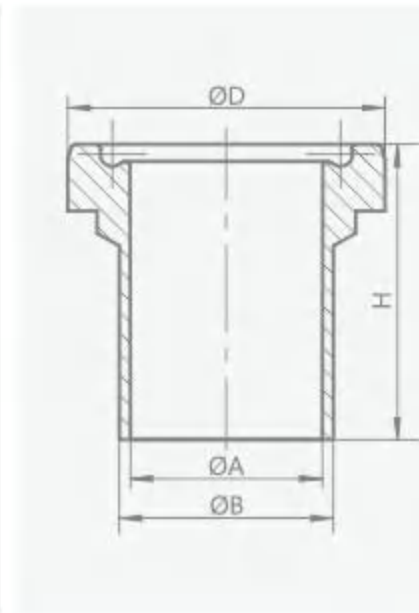
3A扩展式螺纹接头 / 3A Expand Male				
Size	ØA	ØB	G	H
1"	25.5	29.5	37.13*8TPI ACME	20.6
1.5"	38.2	42.6	50.65*8TPI ACME	28.6
2"	50.9	55.7	64.16*8TPI ACME	34.9
2.5"	63.6	68.8	77.67*8TPI ACME	38.1
3"	76.3	81.9	91.19*8TPI ACME	41.3
4"	101.7	108.1	119.25*6TPI ACME	41.3



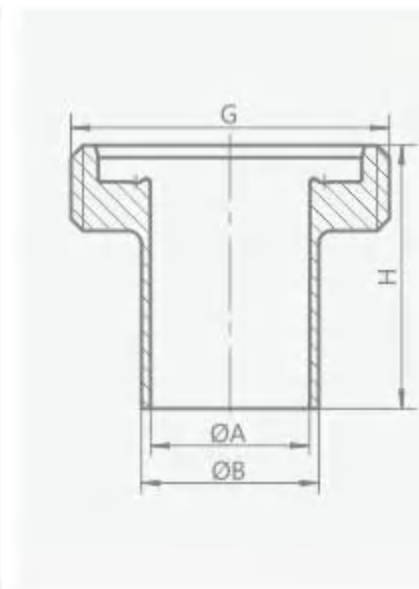
3A扩展式平接头 / 3A Expand Liner				
Size	ØA	ØB	ØD	H
1"	25.5	29.5	33.3	19.1
1.5"	38.2	42.6	46.8	28.6
2"	50.9	55.7	60.3	33.3
2.5"	63.6	68.8	73.8	34.9
3"	76.3	81.9	87.3	36.5
4"	101.7	108.1	114.3	38.1



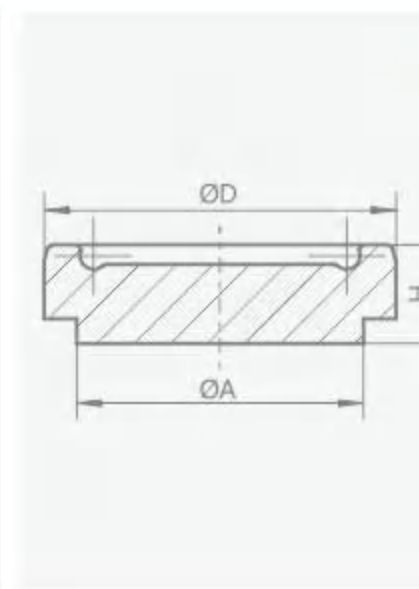
**SANITARY UNION SERIES**  
卫生级由任系列



DIN 11864-1 14A 无菌型平接头 / DIN11864-1 14A Aseptic Liner				
Size	ØA	ØB	ØD	H
DN10	10	13	21.9	39
DN15	16	19	27.9	39
DN20	20	23	35.9	38
DN25	26	29	42.9	40
DN32	32	35	48.9	47
DN40	38	41	54.9	47
DN50	50	53	66.9	48
DN65	66	70	84.9	61
DN80	81	85	98.9	61
DN100	100	104	118.9	66

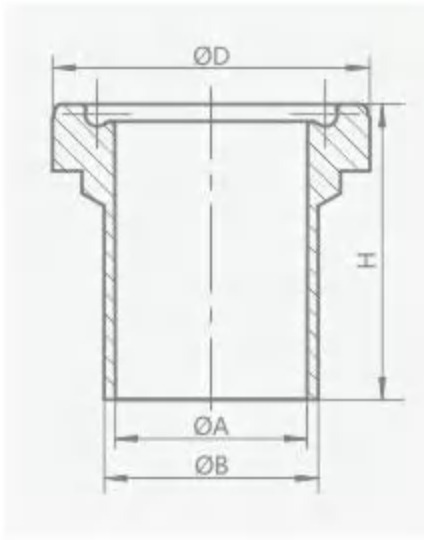


DIN 11864-1 15A 无菌型螺纹接头 / DIN 11864-1 15A Aseptic Male				
Size	ØA	ØB	G	H
DN10	10	13	Ø27.5 RD28*1/8	41
DN15	16	19	Ø33.5 RD34*1/8	41
DN20	20	23	Ø43.5 RD44*1/6	43
DN25	26	29	Ø51.5 RD52*1/6	43
DN32	32	35	Ø57.5 RD58*1/6	48
DN40	38	41	Ø64.5 RD65*1/6	48
DN50	50	53	Ø77.5 RD78*1/6	48
DN65	66	70	Ø94.5 RD95*1/6	60
DN80	81	85	Ø109.5 RD110*1/4	64
DN100	100	104	Ø129.5 RD130*1/4	64

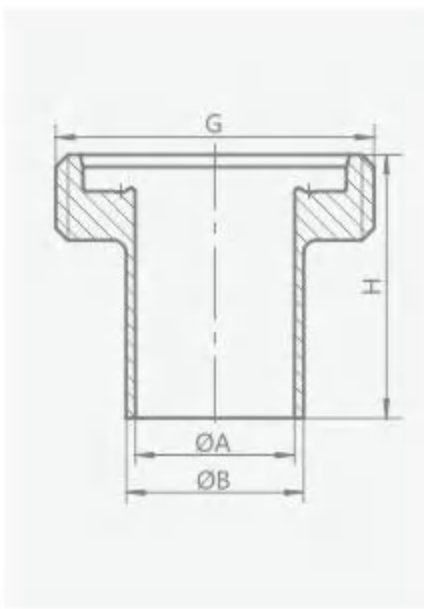


DIN 11864-1 16A 无菌型盲平接头 / DIN 11864-1 16A Septic Bland Liner			
Size	ØA	ØD	H
DN10	18	21.9	9
DN15	24	27.9	9
DN20	30	35.9	10
DN25	35	42.9	12
DN32	41	48.9	13
DN40	48	54.9	13
DN50	61	66.9	14
DN65	79	84.9	16
DN80	93	98.9	16
DN100	114	118.9	20

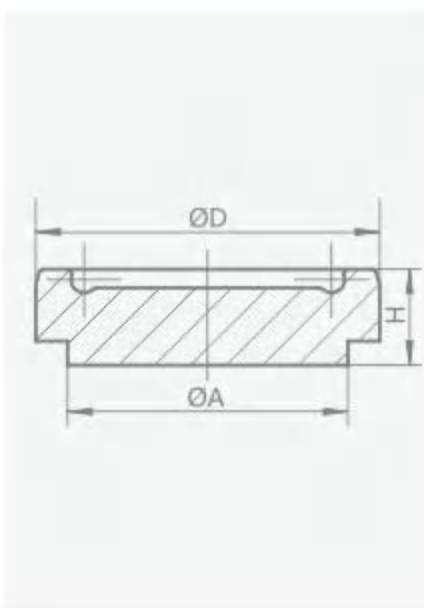
**SANITARY UNION SERIES**  
卫生级由任系列



DIN 英制-14A无菌平接头 / DIN-14A Aseptic Liner				
Size	ØA	ØB	ØD	H
1/2"	9.4	12.7	21.9	39
3/4"	15.8	19.1	27.9	39
1.0"	22.1	25.4	42.9	40
1.5"	34.8	38.1	54.9	46.5
2.0"	47.5	50.8	66.9	47.5
2.5"	60.2	63.5	84.9	63
3.0"	72.9	76.2	98.9	61
4.0"	97.4	101.6	118.9	65

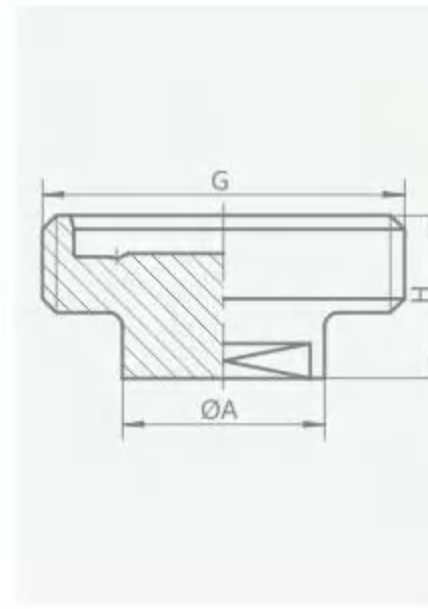


DIN 英制-15A无菌型螺纹接头 / DIN-15A Aseptic Liner				
Size	ØA	ØB	G	H
1/2"	9.4	12.7	Ø27.5 RD28*1/8	41
3/4"	15.8	19.1	Ø33.5 RD34*1/8	41
1.0"	22.1	25.4	Ø51.5 RD52*1/6	43
1.5"	34.8	38.1	Ø64.5 RD65*1/6	48.5
2.0"	47.5	50.8	Ø77.5 RD78*1/6	48.5
2.5"	60.2	63.5	Ø94.5 RD95*1/6	60
3.0"	72.9	76.2	Ø109.5 RD110*1/4	64
4.0"	97.4	101.6	Ø129.5 RD130*1/4	64

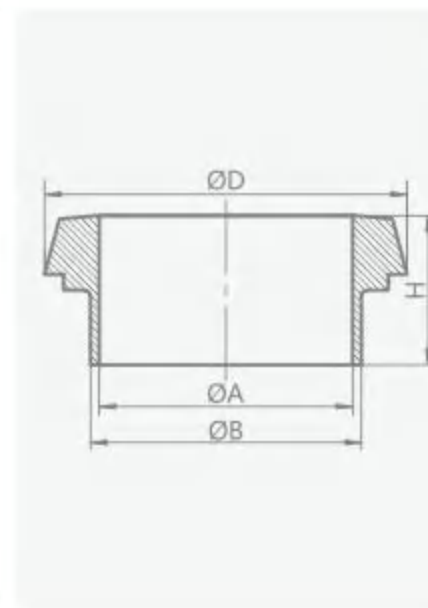


DIN 英制-16A无菌型盲平接头 / DIN-16A Aseptic Blind Liner			
Size	ØA	ØD	H
1/2"	18	21.9	9
3/4"	24	27.9	9
1.0"	35	42.9	12
1.5"	48	54.9	13
2.0"	61	66.9	14
2.5"	79	84.9	16
3.0"	93	98.9	16
4.0"	114	118.9	20

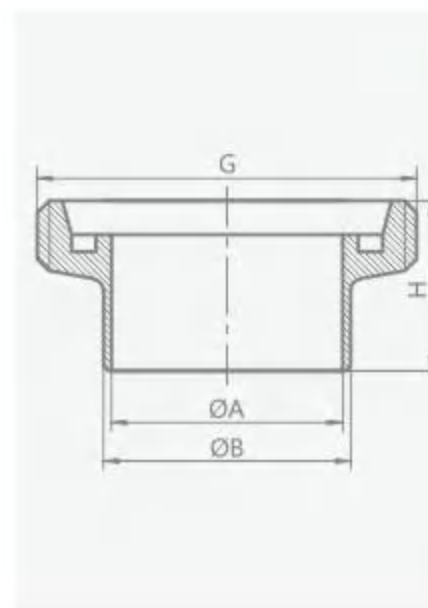
**SANITARY UNION SERIES**  
卫生级由任系列



DIN 英制-16无菌型螺纹盲板 / DIN-16 Aseptic Male Thread Blind Cap			
Size	ØA	G	H
1/2"	20	Ø27.5 RD28*1/8	24
3/4"	26	Ø33.5 RD34*1/8	24
1.0"	43	Ø51.5 RD52*1/6	24
1.5"	55	Ø64.5 RD65*1/6	24
2.0"	69	Ø77.5 RD78*1/6	24
2.5"	84	Ø94.5 RD95*1/6	28
3.0"	96	Ø109.5 RD110*1/4	28
4.0"	116	Ø129.5 RD130*1/4	30

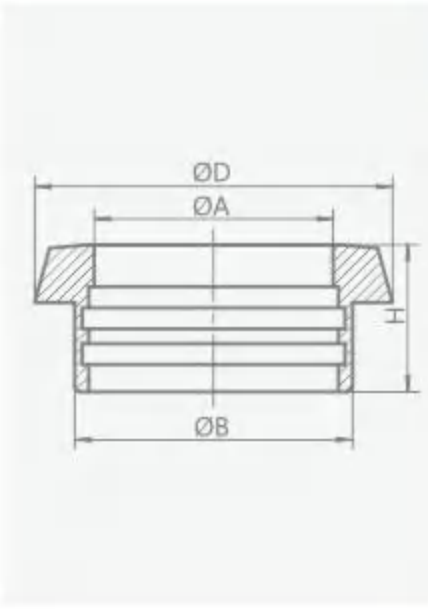


DIN 14DC长厚台阶型平接头 / DIN 14DC Weld Liner				
Size	ØA	ØB	ØD	H
DN10	10	15	22.5	17
DN15	16	21	28.5	17
DN20	20	25	36.5	18
DN25	26	31	44	22
DN32	32	37	50	25
DN40	38	43	56	26
DN50	50	55	68	28
DN65	66	72	86	32
DN80	81	87	100	37
DN100	100	106	121	44
DN125	125	132	150	34
DN150	150	157	176	37

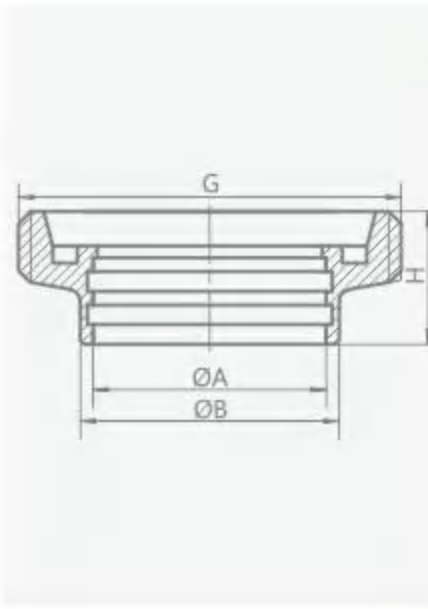


DIN 15DC长厚型螺纹接头 / DIN 15DC Weld Male				
Size	ØA	ØB	G	H
DN10	10	15	Ø27.5 RD28*1/8	21
DN15	16	21	Ø33.5 RD34*1/8	21
DN20	20	25	Ø43.5 RD44*1/6	24
DN25	26	31	Ø51.5 RD52*1/6	29
DN32	32	37	Ø57.5 RD58*1/6	32
DN40	38	43	Ø64.5 RD65*1/6	33
DN50	50	55	Ø77.5 RD78*1/6	35
DN65	66	72	Ø94.5 RD95*1/6	40
DN80	81	87	Ø109.5 RD110*1/4	45
DN100	100	106	Ø129.5 RD130*1/4	54
DN125	125	132	Ø159.3 RD160*1/4	46
DN150	150	157	Ø189.3 RD190*1/4	50

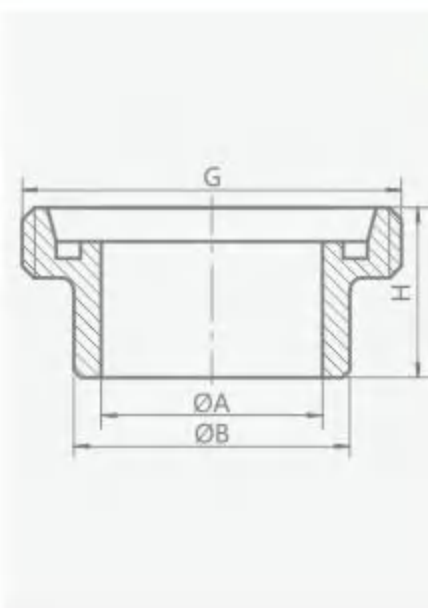
**SANITARY UNION SERIES**  
卫生级由任系列



DIN 14R扩展式平接头 / DIN 14R Expand Liner				
Size	ØA	ØB	ØD	H
DN10	10	18	22.5	17
DN15	16	24	28.5	17
DN20	20	30	36.5	18
DN25	26	35	44	22
DN32	32	41	50	25
DN40	38	48	56	26
DN50	50	61	68	28
DN65	66	79	86	32
DN80	81	93	100	37
DN100	100	114	121	44

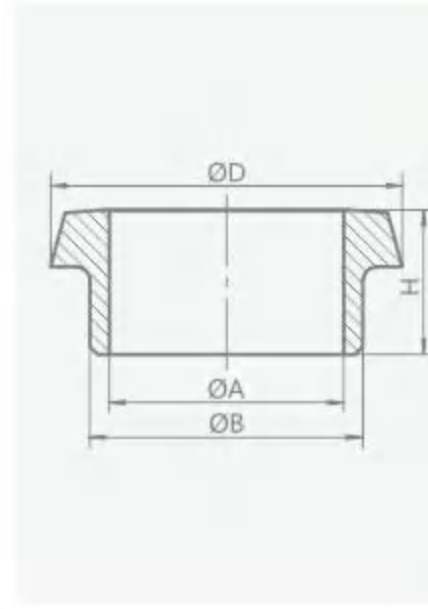


DIN 15R扩展式螺纹接头 / DIN 15R Expand Male				
Size	ØA	ØB	G	H
DN10	12.2	18	Ø27.5 RD28*1/8	21
DN15	18.2	24	Ø33.5 RD34*1/8	21
DN20	22.2	30	Ø43.5 RD44*1/6	24
DN25	28.2	35	Ø51.5 RD52*1/6	29
DN32	34.2	41	Ø57.5 RD58*1/6	32
DN40	40.2	48	Ø64.5 RD65*1/6	33
DN50	52.2	61	Ø77.5 RD78*1/6	35
DN65	70.3	79	Ø94.5 RD95*1/6	40
DN80	85.3	93	Ø109.5 RD110*1/4	45
DN100	104.3	114	Ø129.5 RD130*1/4	54
DN125	129.3	137	Ø159.3 RD160*1/4	46
DN150	154.3	163	Ø189.3 RD190*1/4	50

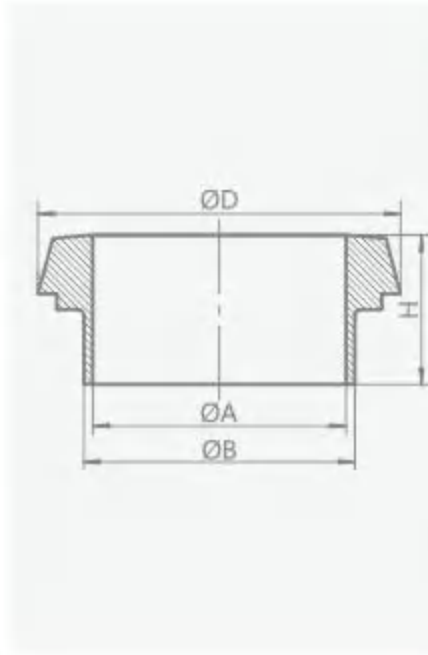


DIN 15T加厚型螺纹接头 / DIN 15T Weld Male				
Size	ØA	ØB	G	H
DN10	10	18	Ø27.5 RD28*1/8	21
DN15	16	24	Ø33.5 RD34*1/8	21
DN20	20	30	Ø43.5 RD44*1/6	24
DN25	26	35	Ø51.5 RD52*1/6	29
DN32	32	41	Ø57.5 RD58*1/6	32
DN40	38	48	Ø64.5 RD65*1/6	33
DN50	50	61	Ø77.5 RD78*1/6	35
DN65	66	79	Ø94.5 RD95*1/6	40
DN80	81	93	Ø109.5 RD110*1/4	45
DN100	100	114	Ø129.5 RD130*1/4	54
DN125	125	137	Ø159.3 RD160*1/4	46
DN150	150	163	Ø189.3 RD190*1/4	50

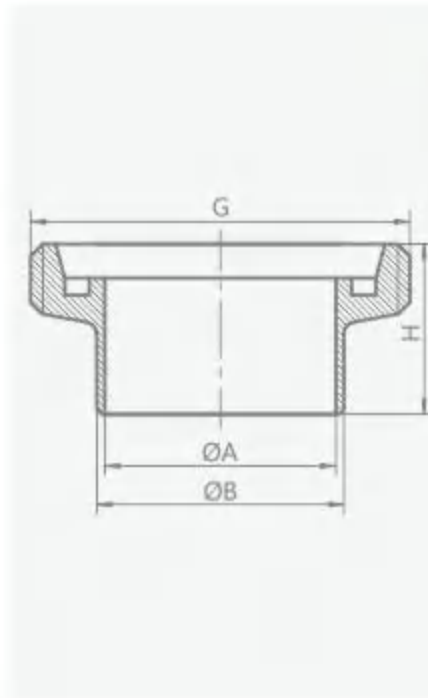
**SANITARY UNION SERIES**  
卫生级由任系列



DIN 14T加厚型平接头 / DIN 14T Weld Liner				
Size	ØA	ØB	ØD	H
DN10	10	18	22.5	17
DN15	16	24	28.5	17
DN20	20	30	36.5	18
DN25	26	35	44	22
DN32	32	41	50	25
DN40	38	48	56	26
DN50	50	61	68	28
DN65	66	79	86	32
DN80	81	93	100	37
DN100	100	114	121	44
DN125	125	137	150	34
DN150	150	163	176	37



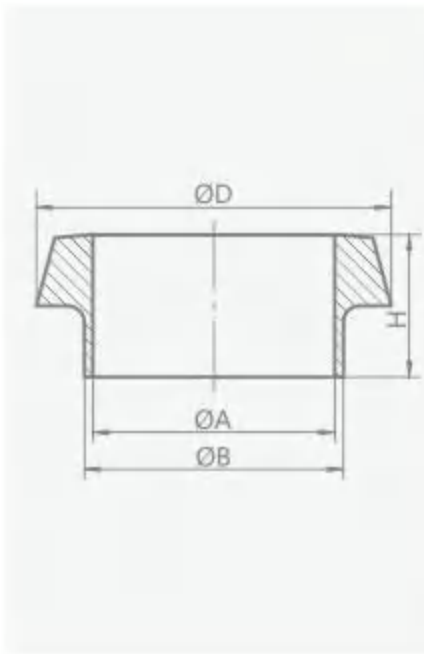
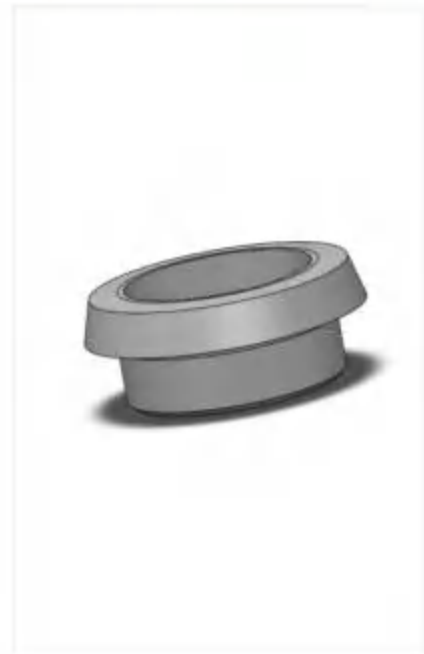
DIN 14DA/14DB长型台阶型平接头 / DIN 14DA/14DB Long Stepped Liner					
Size	ØA	ØB	ØD	H	
DN10	9	10	12	13	22.5
DN15	15	16	18	19	28.5
DN20	19	20	22	23	36.5
DN25	25	26	28	29	44
DN32	31	32	34	35	50
DN40	37	38	40	41	56
DN50	49	50	52	53	68
DN65	66	70	86	32	
DN80	81	85	100	37	
DN100	100	104	121	44	
DN125	125	129	150	34	
DN150	150	154	176	37	



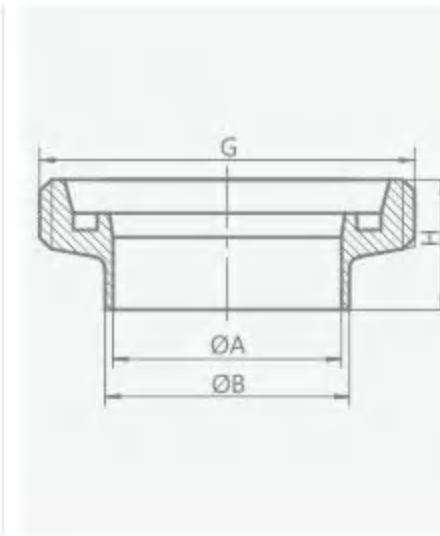
DIN 15DA/15DB长型螺纹接头 / DIN 15DA/15DB Long Male					
Size	ØA	ØB	G	H	
DN10	9	10	12	13	Ø27.5 RD28*1/8
DN15	15	16	18	19	Ø33.5 RD34*1/8
DN20	19	20	22	23	Ø43.5 RD44*1/6
DN25	25	26	28	29	Ø51.5 RD52*1/6
DN32	31	32	34	35	Ø57.5 RD58*1/6
DN40	37	38	40	41	Ø64.5 RD65*1/6
DN50	49	50	52	53	Ø77.5 RD78*1/6
DN65	66	70	Ø94.5 RD95*1/6	40	
DN80	81	85	Ø109.5 RD110*1/4	45	
DN100	100	104	Ø129.5 RD130*1/4	54	
DN125	125	129	Ø159.3 RD160*1/4	46	
DN150	150	154	Ø189.3 RD190*1/4	50	

**SANITARY UNION SERIES**  
卫生级由任系列

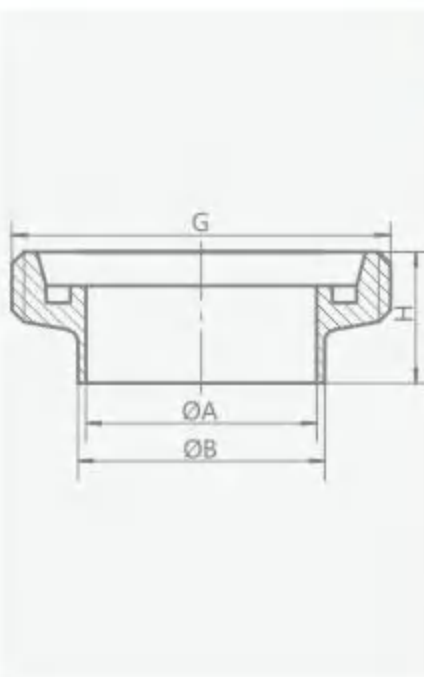
**SANITARY UNION SERIES**  
卫生级由任系列



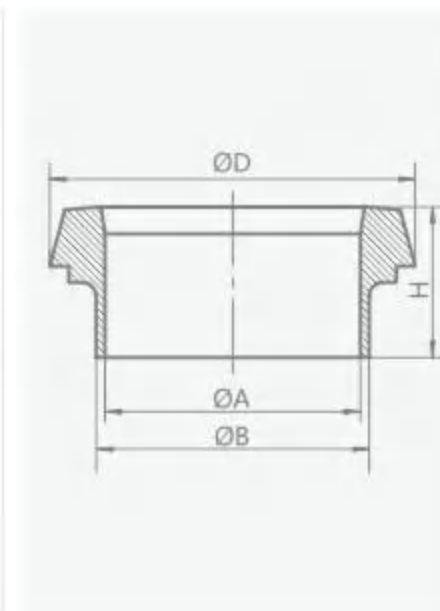
DIN 14S短型平接头 / DIN 14S Short Liner						
Size	ØA	ØB	ØD	H		
DN10	9	10	12	13	22.5	13
DN15	15	16	18	19	28.5	13
DN20	19	20	22	23	36.5	13
DN25	25	26	28	29	44	15
DN32	31	32	34	35	50	15
DN40	37	38	40	41	56	15
DN50	49	50	52	53	68	16
DN65	66	66	70	70	86	17
DN80	81	81	85	85	100	17
DN100	100	100	104	104	121	20
DN125	125	125	129	129	150	23.5
DN150	150	150	154	154	176	27



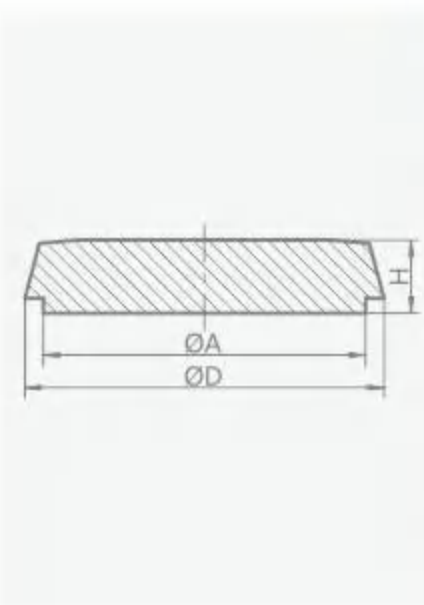
DIN 15I英制螺纹接头 / DIN 15I Male				
Size	ØA	ØB	G	H
1.0"	22.1	25.4	Ø51.5 RD52*1/6	29
1.25"	28.5	31.8	Ø57.5 RD58*1/6	32
1.5"	34.8	38.1	Ø64.5 RD65*1/6	33
2.0"	47.5	50.8	Ø77.5 RD78*1/6	35
2.5"	60.2	63.5	Ø94.5 RD95*1/6	40
3.0"	72.9	76.2	Ø109.5 RD110*1/4	45
4.0"	97.6	101.6	Ø129.5 RD130*1/4	54



DIN 15S短型螺纹接头 / DIN 15S Short Male				
Size	ØA	ØB	G	H
DN10	9	12	Ø27.5 RD28*1/8	17
DN15	15	18	Ø33.5 RD34*1/8	17
DN20	19	22	Ø43.5 RD44*1/6	19
DN25	25	28	Ø51.5 RD52*1/6	22
DN32	31	34	Ø57.5 RD58*1/6	22
DN40	37	40	Ø64.5 RD65*1/6	22
DN50	49	52	Ø77.5 RD78*1/6	23
DN65	66	70	Ø94.5 RD95*1/6	25
DN80	81	85	Ø109.5 RD110*1/4	25
DN100	100	104	Ø129.5 RD130*1/4	30
DN125	125	129	Ø159.3 RD160*1/4	35.5
DN150	150	154	Ø189.3 RD190*1/4	40



DIN 14I英制平接头 / DIN 14I Liner				
Size	ØA	ØB	ØD	H
1.0"	22.1	25.4	44	22
1.25"	28.5	31.8	50	25
1.5"	34.8	38.1	56	26
2.0"	47.5	50.8	68	28
2.5"	60.2	63.5	86	32
3.0"	72.9	76.2	100	37
4.0"	97.6	101.6	121	44

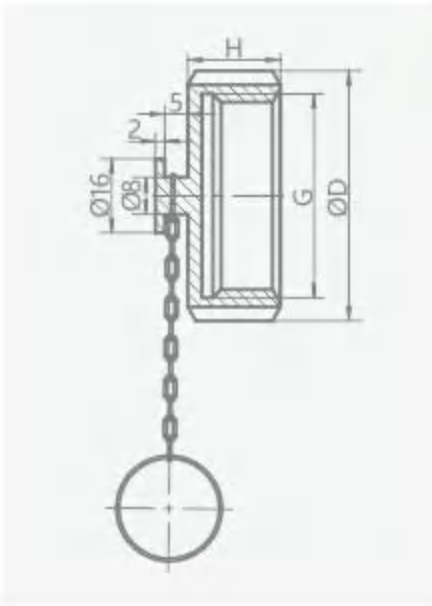


DIN 14B盲平接头 / DIN 14B End Cap			
Size	ØA	ØD	H
DN10	18	22.5	9
DN15	24	28.5	9
DN20	30	36.5	11
DN25	35	44	13
DN32	41	50	13
DN40	48	56	13
DN50	61	68	14
DN65	79	86	16
DN80	93	100	16
DN100	114	121	20
DN125	137	150	22
DN150	163	176	24

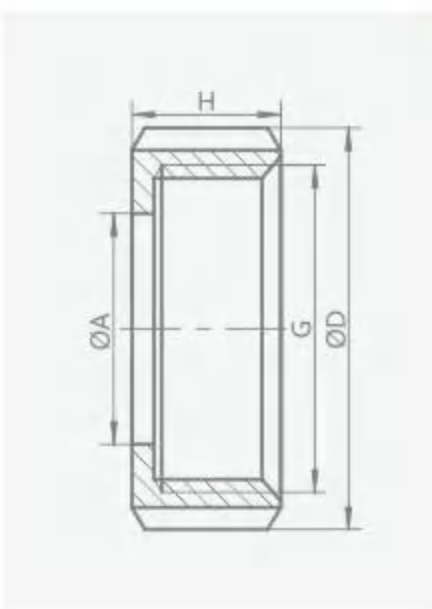


**SANITARY UNION SERIES**  
卫生级由任系列

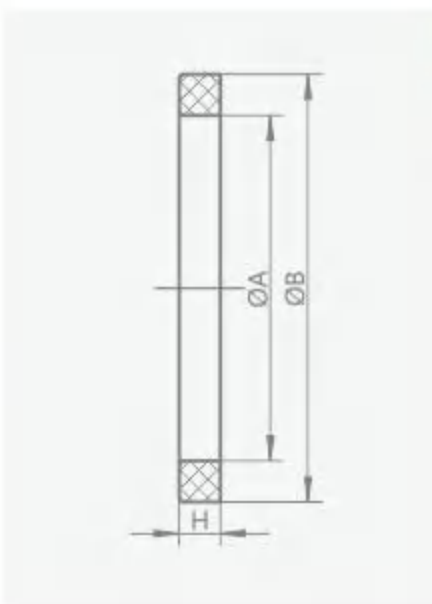
**SANITARY UNION SERIES**  
卫生级由任系列



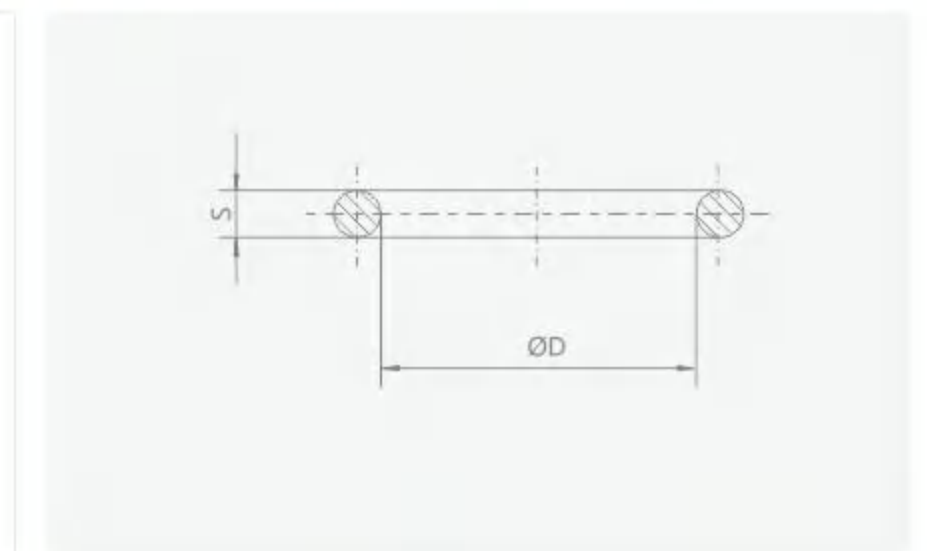
DIN 13RBN圆形盲盖螺母 / DIN Round Blind Nut With Chain			
Size	ØD	G	H
DN10	38	RD28*1/8	18
DN15	44	RD34*1/8	18
DN20	54	RD44*1/6	21
DN25	63	RD52*1/6	21
DN32	70	RD58*1/6	21
DN40	78	RD65*1/6	21
DN50	92	RD78*1/6	22
DN65	112	RD95*1/6	25
DN80	127	RD110*1/4	30
DN100	148	RD130*1/4	31
DN125	178	RD160*1/4	35
DN150	210	RD190*1/4	40



DIN 13R圆螺母 / DIN 13R Round nut				
Size	ØA	ØD	G	H
DN10	19	38	RD28*1/8	18
DN15	25	44	RD34*1/8	18
DN20	31	54	RD44*1/6	21
DN25	36	63	RD52*1/6	21
DN32	42	70	RD58*1/6	21
DN40	49	78	RD65*1/6	21
DN50	62	92	RD78*1/6	22
DN65	80	112	RD95*1/6	25
DN80	94	127	RD110*1/4	30
DN100	115	148	RD130*1/4	31
DN125	138	178	RD160*1/4	35
DN150	164	210	RD190*1/4	40



DIN 13SR由任垫圈 / DIN 13SR Seal Ring			
Size	ØA	ØB	H
DN10	12	20	4.5
DN15	18	26	
DN20	23	33	
DN25	30	40	5
DN32	36	46	
DN40	42	52	
DN50	54	64	
DN65	71	81	
DN80	85	95	7
DN100	104	114	
DN125	130	142	
DN150	155	167	



DIN无菌O型圈 / DIN Aseptic O-Ring			ISO无菌O型圈 / ISO Aseptic O-Ring			英制无菌O型圈 / British Standard Aseptic O-Ring		
Size	ØD	S	Size	ØD	S	Size	ØD	S
DN10	12	3.5	13.5	12	3.5	1/2"	12	3.5
DN15	18		17.2	16		3/4"	18	
DN20	22		21.3	20		1.0"	24	
DN25	28	5	26.9	26	5	1.5"	37	5
DN32	34		33.7	32		2.0"	50	
DN40	40		42.4	40.5		2.5"	62	
DN50	52		48.3	46.5		3.0"	75	
DN65	68		60.3	58.5		4.0"	100	
DN80	83	102	76.1	73.5	102			102
DN100	102		88.9	86.5				

**SANITARY UNION SERIES**  
卫生级由任系列

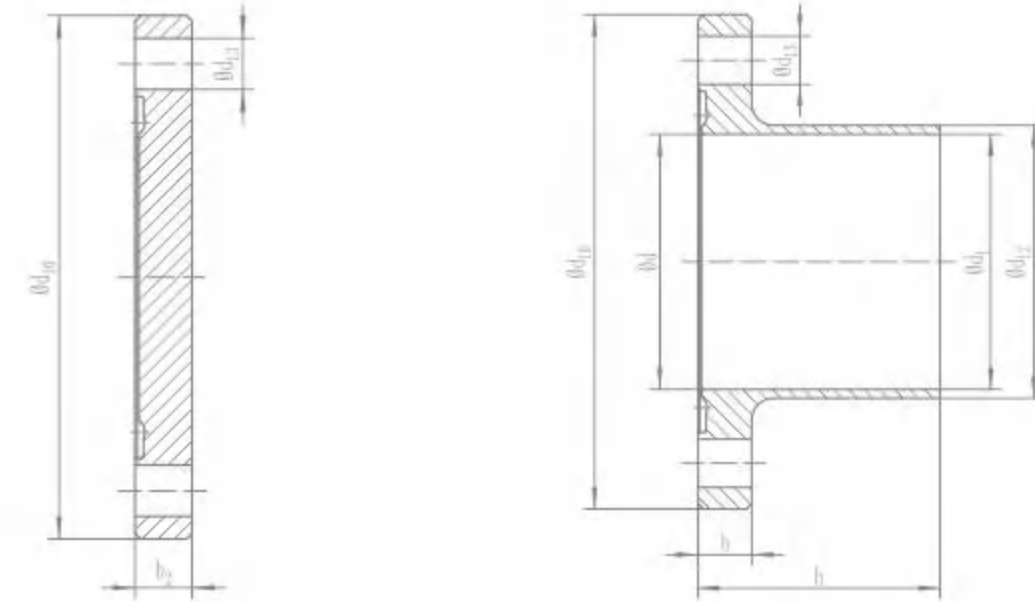
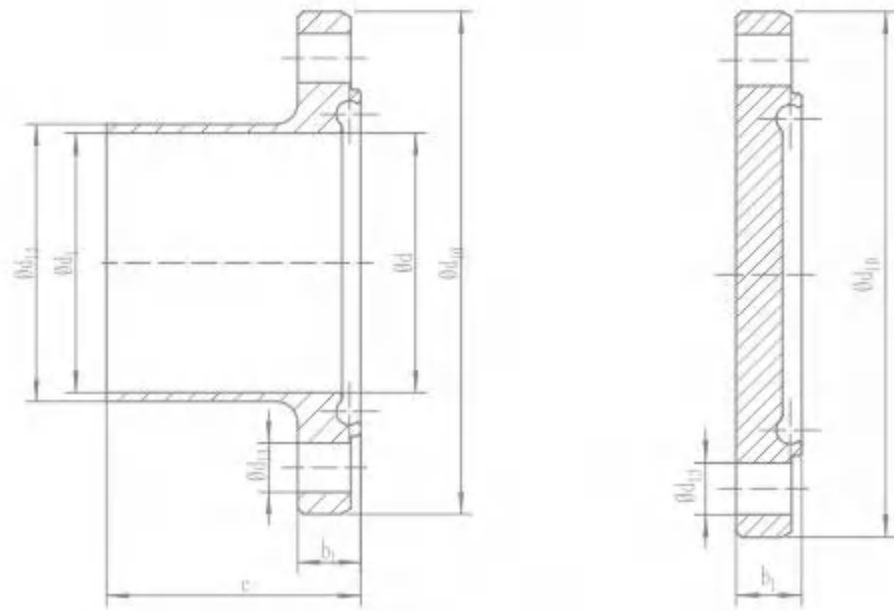
**SANITARY UNION SERIES**  
卫生级由任系列

法兰式云头/法兰式云头堵板 DIN英制 DIN11864-2 NF A型 / Nut Flange/Blind Nut Flange

Size	Ød1	Ød	Ød10	Ød12	Ød13	b1	c
1/2"	9.4	9.45	54	12.7	4-Φ9	11.5	41.5
3/4"	15.75	15.8	59	19.05	4-Φ9	11.5	41.5
1"	22.1	22.15	66	25.4	4-Φ9	11.5	41.5
1.5"	34.8	34.85	79	38.1	4-Φ9	11.5	46.5
2"	47.5	47.55	92	50.8	4-Φ9	11.5	46.5
2.5"	60.2	60.25	107	63.5	8-Φ9	11.5	55.5
3"	72.9	72.95	125	76.2	8-Φ11	13.5	57.5
4"	97.38	97.43	157	101.6	8-Φ11	15.5	59.5

法兰式平接头/法兰式平接头堵板 DIN英制 DIN11864-2 BF A型 / Liner Flange/Blind Liner Flange

Size	Ød1	Ød12	Ød	Ød10	Ød13	b2	h
1/2"	9.4	12.7	9.45	54	4-Φ9	10	40
3/4"	15.75	19.05	15.8	59	4-Φ9	10	40
1"	22.1	25.4	22.15	66	4-Φ9	10	40
1.5"	34.8	38.1	34.85	79	4-Φ9	10	45
2"	47.5	50.8	47.55	92	4-Φ9	10	45
2.5"	60.2	63.5	60.25	107	8-Φ9	10	54
3"	72.9	76.2	72.95	125	8-Φ11	12	56
4"	97.38	101.6	97.43	157	8-Φ11	14	58



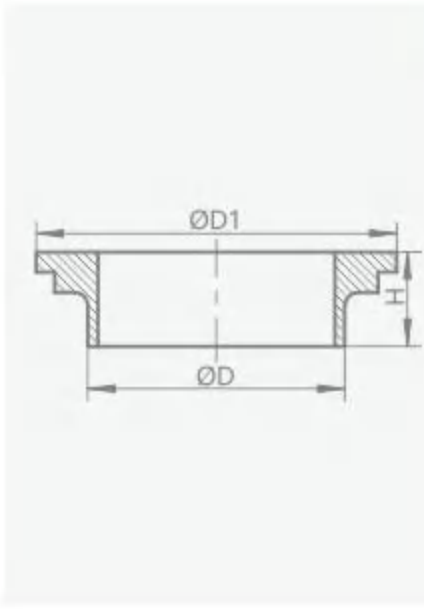
法兰式云头/法兰式云头堵板-DIN公制 DIN11864-2 NF A型 / Nut Flange/Blind Nut Flange

Size	Ød1	Ød	Ød10	Ød12	Ød13	b1	c
DN10	10	10.05	54	13	4-Φ9	11.5	41.5
DN15	16	16.05	59	19	4-Φ9	11.5	41.5
DN20	20	20.05	64	23	4-Φ9	11.5	41.5
DN25	26	26.05	70	29	4-Φ9	11.5	41.5
DN32	32	32.05	76	35	4-Φ9	11.5	46.5
DN40	38	38.05	82	41	4-Φ9	11.5	46.5
DN50	50	50.05	94	53	4-Φ9	11.5	46.5
DN65	66	66.05	113	70	8-Φ9	11.5	55.5
DN80	81	81.05	133	85	8-Φ11	13.5	59.5
DN100	100	100.05	159	104	8-Φ11	15.5	59.5
DN125	125	125.05	183	129	8-Φ11	15.5	61.5
DN150	150	150.05	213	154	8-Φ14	17.5	61.5

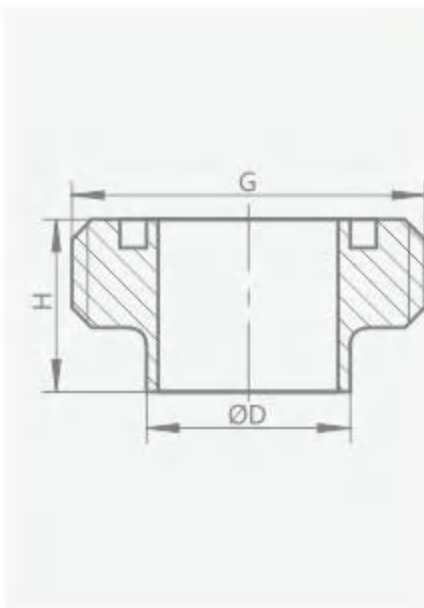
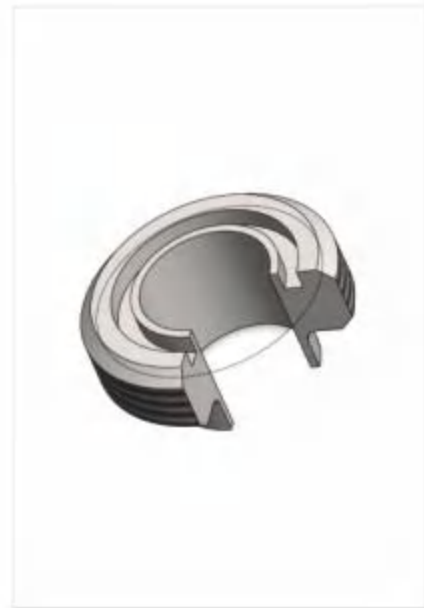
法兰式平接头/法兰式平接头堵板-DIN公制 DIN11864-2 BF A型 / Liner Flange/Blind Liner Flange

Size	Ød1	Ød12	Ød	Ød10	Ød13	b2	h
DN10	10	13	10.05	54	4-Φ9	10	40
DN15	16	19	16.05	59	4-Φ9	10	40
DN20	20	23	20.05	64	4-Φ9	10	40
DN25	26	29	26.05	70	4-Φ9	10	40
DN32	32	35	32.05	76	4-Φ9	10	45
DN40	38	41	38.05	82	4-Φ9	10	45
DN50	50	53	50.05	94	4-Φ9	10	45
DN65	66	70	66.05	113	8-Φ9	10	54
DN80	81	85	81.05	133	8-Φ11	12	58
DN100	100	104	100.05	159	8-Φ11	14	58
DN125	125	129	125.05	183	8-Φ11	14	60
DN150	150	154	150.05	213	8-Φ14	16	60

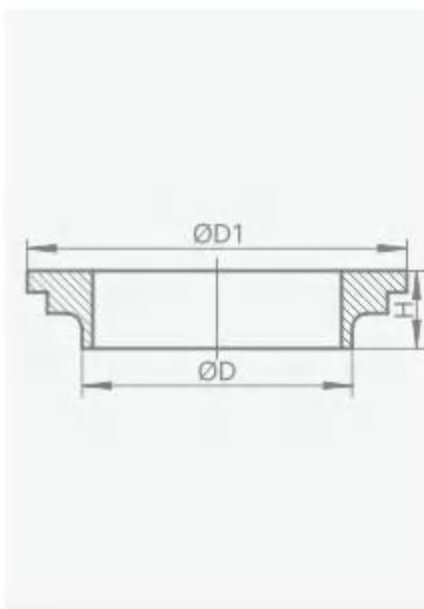
**SANITARY UNION SERIES**  
卫生级由任系列



DS 14L长型台阶式平接头 / DS 14L Long stepped Liner			
Size	ØD	ØD1	H
1/2"	12.7	22	12
3/4"	19.1	28	12
1"	25.4	39.5	16
1.25"	31.8	47.5	16
1.5"	38.1	53.5	18
2"	50.8	67.5	20
2.5"	63.5	83.5	22
3"	76.2	95.5	24
4"	101.6	123.5	24
5"	127	150	25
6"	152.4	174	25

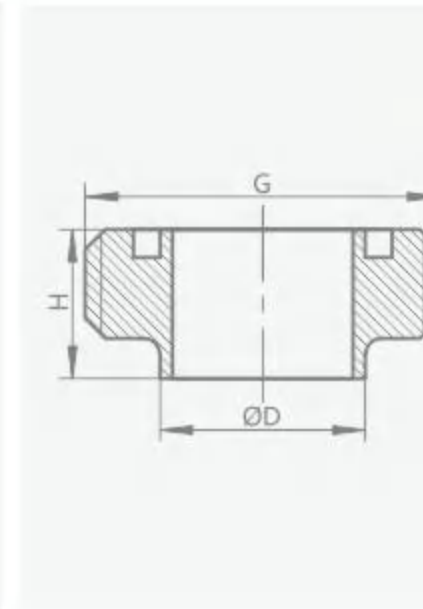


DS 15L长型螺纹接头 / DS 15L Long Male			
Size	ØD	G	H
1/2"	12.7	RD28*1/8	17
3/4"	19.1	RD34*1/8	17
1"	25.4	RD44*1/6	20
1.25"	31.8	RD52*1/6	20
1.5"	38.1	RD58*1/6	22
2"	50.8	RD72*1/6	24
2.5"	63.5	RD88*1/6	26
3"	76.2	RD100*1/6	28
4"	101.6	RD130*1/4	34
5"	127	RD160*1/6	35
6"	152.4	RD180*1/6	35

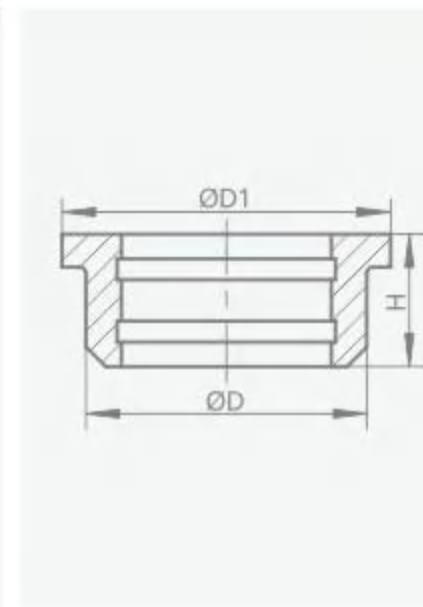


DS 14S短型台阶式平接头 / DS 14S Short Stepped Liner			
Size	ØD	ØD1	H
1/2"	12.7	22	11
3/4"	19.1	28	11
1"	25.4	39.5	11
1.25"	31.8	47.5	11
1.5"	38.1	53.5	11
2"	50.8	67.5	11
2.5"	63.5	83.5	12
3"	76.2	95.5	12
4"	101.6	123.5	12
5"	127	150	18
6"	152.4	174	18

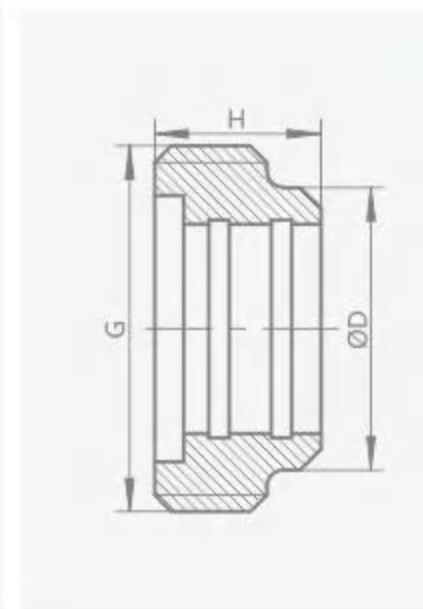
**SANITARY UNION SERIES**  
卫生级由任系列



DS 15S短型螺纹接头 / DS 15S Short Male			
Size	ØD	G	H
1/2"	12.7	RD28*1/8	15
3/4"	19.1	RD34*1/8	15
1"	25.4	RD44*1/6	18.5
1.25"	31.8	RD52*1/6	18.5
1.5"	38.1	RD58*1/6	20
2"	50.8	RD72*1/6	20
2.5"	63.5	RD88*1/6	24
3"	76.2	RD100*1/6	24
4"	101.6	RD130*1/4	24
5"	127	RD160*1/6	-
6"	152.4	RD180*1/6	-

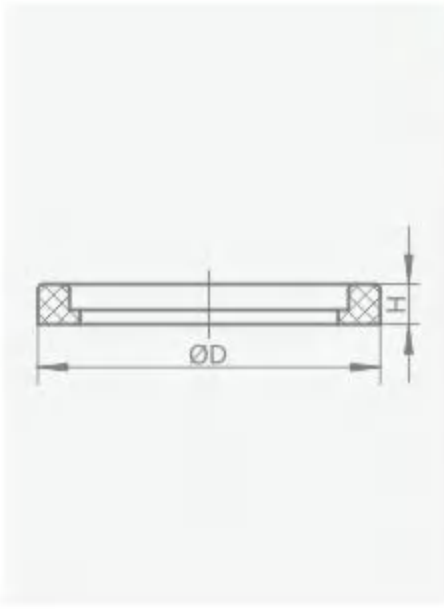


DS 14R扩展式平接头 / DS 14R Expand Liner			
Size	ØD1	ØD	H
1"	39.5	33.8	16
1.25"	47.8	41.5	16
1.5"	53.5	47.5	18
2"	67.5	61.5	20
2.5"	83.5	75.5	22
3"	95.5	87.5	24
4"	123.5	115	29

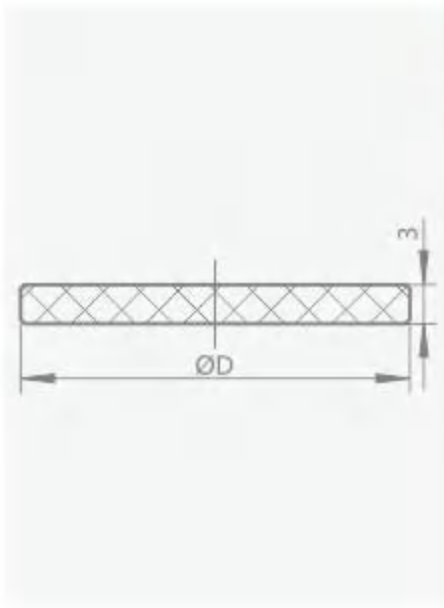


DS 15R扩展式螺纹接头 / DS 15R Expand Male			
Size	ØD	G	H
1"	34	RD44*1/6	20
1.25"	41.5	RD52*1/6	20
1.5"	47.5	RD58*1/6	22
2"	61.5	RD72*1/6	24
2.5"	75.5	RD88*1/6	26
3"	87.5	RD100*1/6	28
4"	115	RD130*1/4	34

**SANITARY UNION SERIES**  
卫生级由任系列



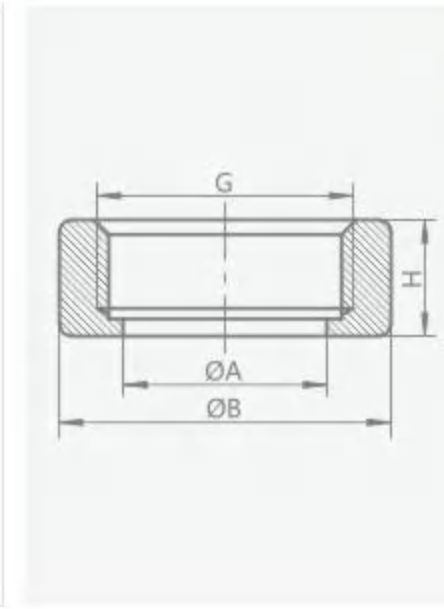
DS 13SR由任垫圈 / DS 13SR Seal Ring		
Size	ØD	H
1/2"	19.8	5
3/4"	25.8	5
1"	31.8	5.5
1.25"	40.8	5.5
1.5"	46.8	5.5
2"	58.8	5.5
2.5"	74.3	5.5
3"	87.8	5.5
4"	115.8	5.5



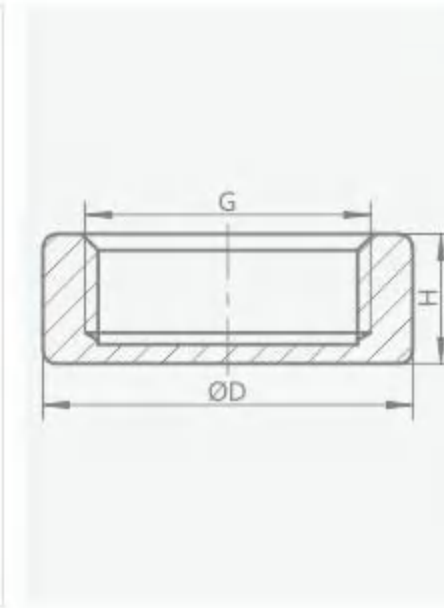
DS 13RG盲螺母垫圈 / DS 13RG Bland Nut Gasket	
Size	ØD
1/2"	24.5
3/4"	30.5
1"	39.5
1.25"	47.5
1.5"	53.5
2"	67.5
2.5"	83.5
3"	95.5
4"	123.5



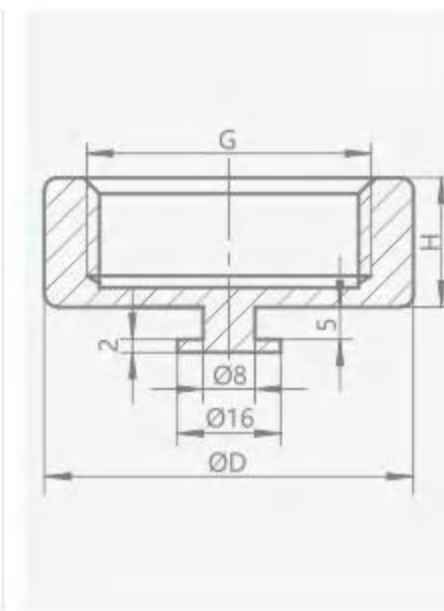
**SANITARY UNION SERIES**  
卫生级由任系列



DS 13R圆形螺母 / DS 13R Round Nut				
Size	ØD	ØA	G	H
1/2"	38	19	RD28*1/8	18
3/4"	44	25	RD34*1/8	18
1"	57	35	RD44*1/6	20
1.25"	65	42	RD52*1/6	20
1.5"	71	48.5	RD58*1/6	20
2"	86	62.5	RD72*1/6	22
2.5"	103	76.5	RD88*1/6	24
3"	115	88.5	RD100*1/6	25
4"	148	117	RD130*1/4	32
5"	178	138	RD160*1/6	34
6"	197	164	RD180*1/6	32



DS 13RNa圆形盲盖螺母(不带柄) / DS 13RNa Round Blank Nut			
Size	ØD	G	H
1/2"	38	RD28*1/8	18
3/4"	44	RD34*1/8	18
1"	57	RD44*1/6	20
1.25"	65	RD52*1/6	20
1.5"	71	RD58*1/6	20
2"	86	RD72*1/6	22
2.5"	103	RD88*1/6	24
3"	115	RD100*1/6	25
4"	148	RD130*1/4	32
5"	178	RD160*1/6	34
6"	197	RD180*1/6	32

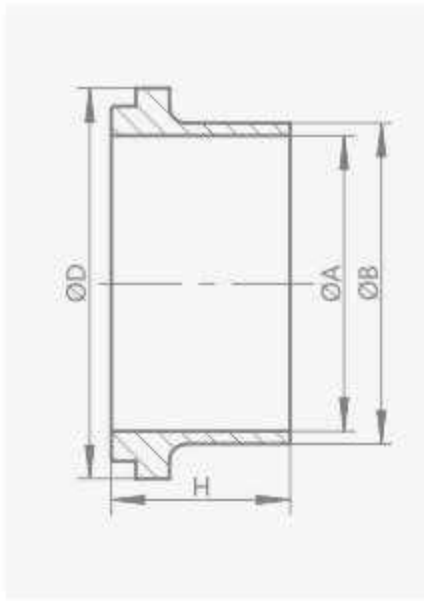


DS 13RBN盲盖螺母 / DS 13RBN Blank Nut			
Size	ØD	G	H
1/2"	38	RD28*1/8	18
3/4"	44	RD34*1/8	18
1"	57	RD44*1/6	20
1.25"	65	RD52*1/6	20
1.5"	71	RD58*1/6	20
2"	86	RD72*1/6	22
2.5"	103	RD88*1/6	24
3"	115	RD100*1/6	25
4"	148	RD130*1/4	32
5"	178	RD160*1/6	34
6"	197	RD180*1/6	32

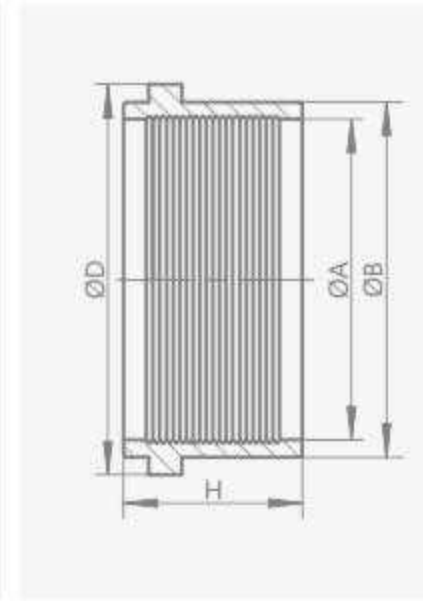


**SANITARY UNION SERIES**  
卫生级由任系列

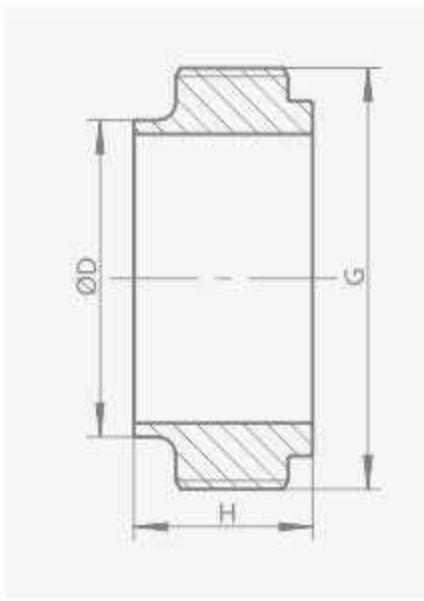
**SANITARY UNION SERIES**  
卫生级由任系列



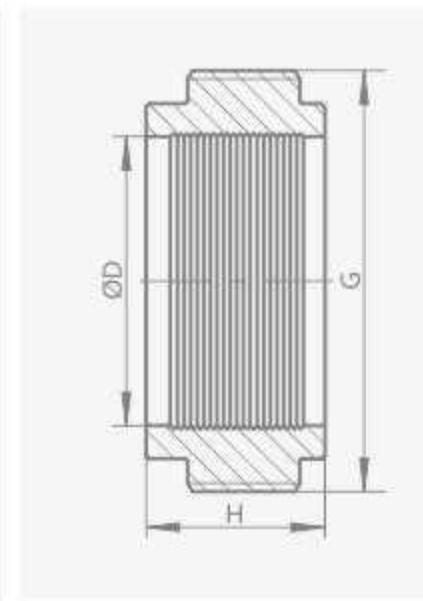
IDF 14平接头 / IDF 14 Liner				
Size	ØA	ØB	ØD	H
1"	22.4	25.4	33.8	21.5
1.5"	35.1	38.1	47	21.5
2"	47.8	50.8	60.5	21.5
2.5"	59.5	63.5	74	21.5
3"	72.2	76.2	87.5	21.5
4*R	97.6	101.6	114.1	21.5
4*H	97.6	101.6	120.5	30



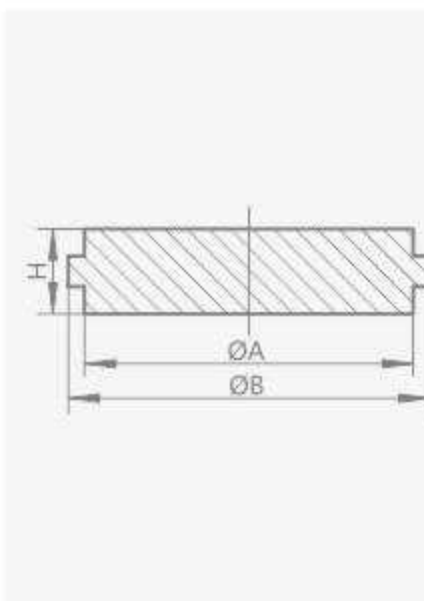
IDF 14R扩展式平接头 / IDF 14R Expand Liner				
Size	ØA	ØB	ØD	H
1"	25.5	29.2	33.8	20
1.5"	38.2	42.7	47	20
2"	50.9	56.2	60.5	25
2.5"	63.6	69.9	74	30
3"	76.3	82.6	87.5	30
4*R	101.7	108.4	114.1	30
4*H	101.7	111.1	120.5	30



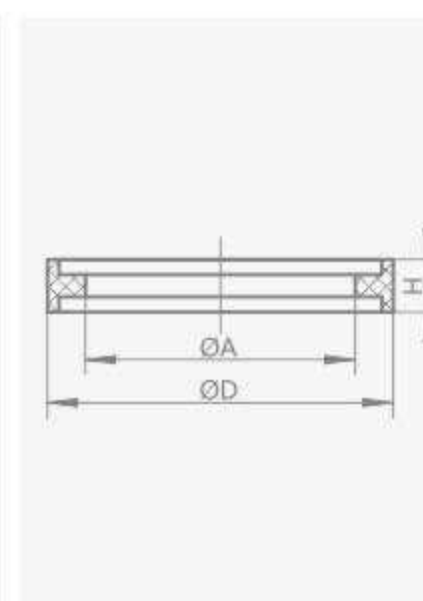
IDF 15螺纹接头 / IDF 15 Male			
Size	ØD	G	H
1"	25.4	37.13*8T ACME	21.5
1.5"	38.1	50.65*8T ACME	21.5
2"	50.8	64.16*8T ACME	21.5
2.5"	63.5	77.67*8T ACME	21.5
3"	76.2	91.19*8T ACME	21.5
4*R	101.6	118.2*8T ACME	21.5
4*H	101.6	125.9*6T ACME	30



IDF 15R扩展式螺纹接头 / IDF 15R Expand Male			
Size	ØD	G	H
1"	25.5	37.13*8T ACME	19.5
1.5"	38.2	50.65*8T ACME	19.5
2"	50.9	64.16*8T ACME	19.5
2.5"	63.6	77.67*8T ACME	25
3"	76.3	91.19*8T ACME	30
4*R	101.7	118.2*8T ACME	35
4*H	101.7	125.9*6T ACME	35

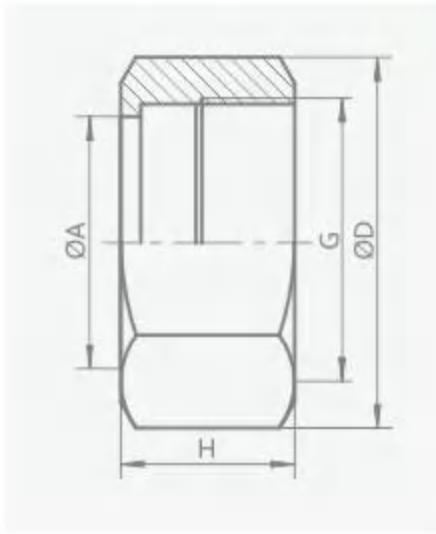


IDF 14B堵板 / IDF 14B End Cap			
Size	ØA	ØB	H
1"	29.2	33.8	10.5
1.5"	42.7	47	10.5
2"	56.2	60.5	10.5
2.5"	69.9	74	10.5
3"	82.6	87.5	10.5
4*R	111.1	114.1	12.6
4*H	111.1	120.6	12.6

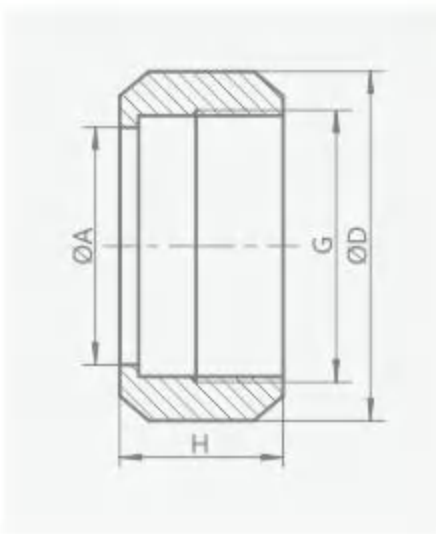


IDF 13SR由任垫圈 / IDF 13SR Seal Ring				
Size	ØA	ØD	H1	H
1"	23	32.5	3	7
1.5"	36	46	3	7
2"	49	59.5	3	7
2.5"	60.7	73	3	7
3"	73.2	86.5	3	7
4*R	98	113.1	3	7
4*H	98	119.6	5	9.6

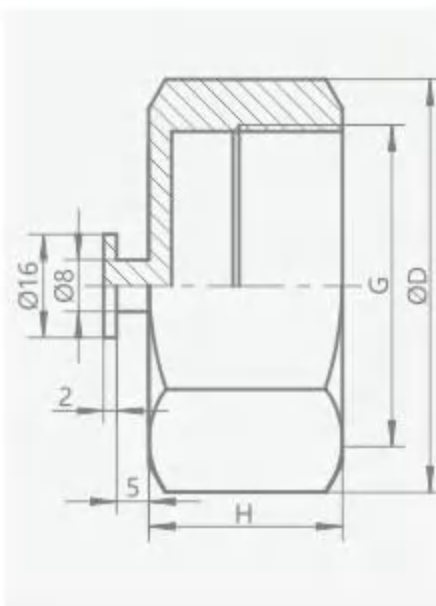
**SANITARY UNION SERIES**  
卫生级由任系列



IDF 13H六角螺母 / IDF 13H Hexagonal Nut				
Size	$\varnothing A$	G	$\varnothing D$	H
1.0"	30.5	34.34*8T ACME	53.1	30
1.5"	43.5	47.86*8T ACME	69.3	30
2.0"	57	61.37*8T ACME	86.6	30
2.5"	70.7	74.88*8T ACME	103.9	30
3.0"	83.3	88.40*8T ACME	121.2	30
4.0"	112	122.05*6T ACME	153.6	34.9

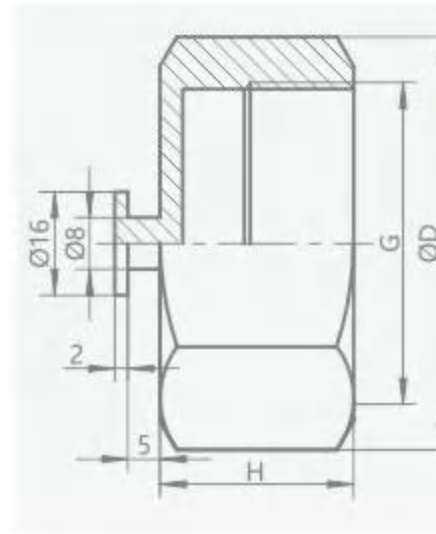


IDF 13R圆形螺母 / IDF 13R Round Nut				
Size	$\varnothing A$	G	$\varnothing D$	H
1.0"	30.5	34.34*8T ACME	48	30
1.5"	43.5	47.86*8T ACME	64	30
2.0"	57	61.37*8T ACME	77	30
2.5"	70.7	74.88*8T ACME	91	30
3.0"	83.3	88.40*8T ACME	106	30
4.0"	112	115.41*8T ACME	135	34.9

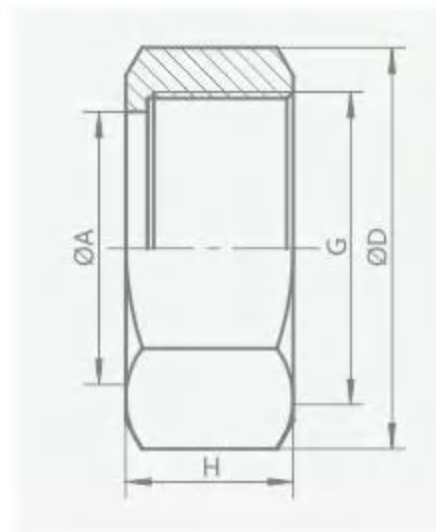


IDF 13HBN六角盲盖螺母 / IDF 13HBN Hexagonal Blank Nut			
Size	G	$\varnothing D$	H
1.0"	34.34*8T ACME	53.1	30
1.5"	47.86*8T ACME	69.3	30
2.0"	61.37*8T ACME	86.6	30
2.5"	74.88*8T ACME	103.9	30
3.0"	88.4*8T ACME	121.2	30
4.0"	122.05*6T ACME	153.6	34.9

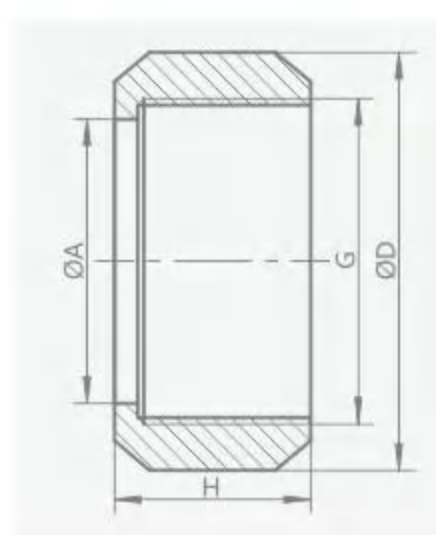
**SANITARY UNION SERIES**  
卫生级由任系列



ISO 13HBN六角盲盖螺母 / ISO 13HBN Hexagonal Blank Nut			
Size	G	$\varnothing D$	H
1"	34.34*8T ACME	53.1	30
1.5"	47.86*8T ACME	69.3	30
2"	61.37*8T ACME	86.6	30
2.5"	74.88*8T ACME	103.9	30
3"	88.40*8T ACME	121.2	30
4"	122.05*6T ACME	153.6	34.9

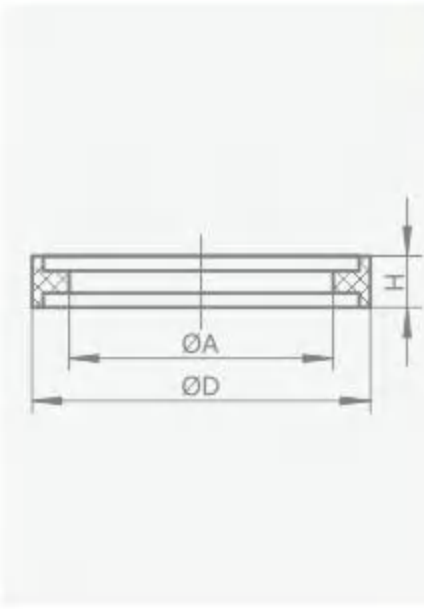


ISO 13H六角螺母 / ISO 13H Hexagonal Nut				
Size	$\varnothing A$	G	$\varnothing D$	H
1"	30.5	34.34*8T ACME	53.1	30
1.5"	43.5	47.86*8T ACME	69.3	30
2"	57	61.37*8T ACME	86.6	30
2.5"	70.7	74.88*8T ACME	103.9	30
3"	83.3	88.40*8T ACME	121.2	30
4"	112	122.05*6T ACME	153.6	34.9

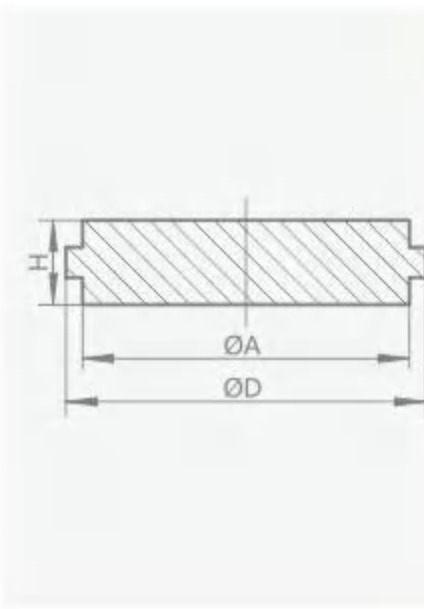


ISO 13R圆形螺母 / ISO 13R Round Nut				
Size	$\varnothing A$	G	$\varnothing D$	H
1"	30.5	34.34*8T ACME	48	30
1.5"	43.5	47.86*8T ACME	64	30
2"	57	61.37*8T ACME	77	30
2.5"	70.7	74.88*8T ACME	91	30
3"	83.3	88.40*8T ACME	106	30
4"	112	122.05*6T ACME	135	34.9

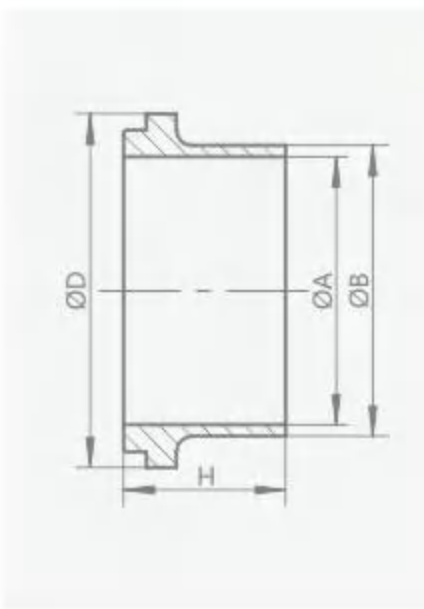
**SANITARY UNION SERIES**  
卫生级由任系列



ISO 13SR由任垫圈 / ISO 13SR Seal Ring			
Size	ØA	ØD	H
1"	23.2	32.5	7
1.5"	35.9	46	7
2"	48.6	59.5	7
2.5"	61.3	73	7
3"	74	86.5	7
4"	98.6	113.1	7
4"	98.6	119.6	9.6

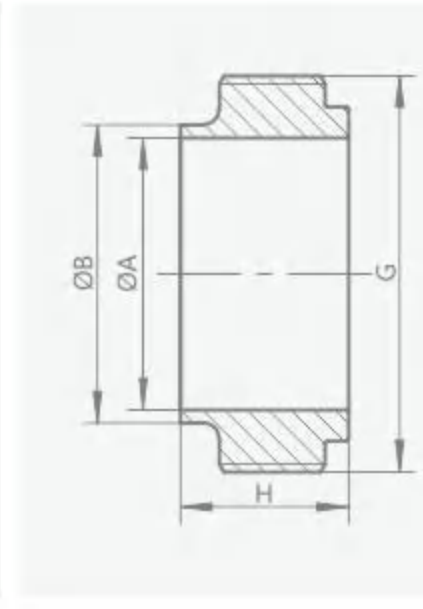


ISO 14B堵板 / ISO 14B End Cap			
Size	ØA	ØD	H
1"	29.2	33.8	10.5
1.5"	42.7	47	10.5
2"	56.2	60.5	10.5
2.5"	69.9	74	10.5
3"	82.6	87.5	10.5
4"	111.1	114.1	12.6
4"	111.1	120.6	12.6



ISO 14平接头 / ISO 14 Liner				
Size	ØA	ØB	ØD	H
1"	22.6	25.6	33.8	21.5
1.5"	35.6	38.6	47	21.5
2"	48.6	51.6	60.5	21.5
2.5"	60.3	64.1	74	21.5
3"	72.9	76.7	87.5	21.5
4"	97.6	101.6	114.1	21.5
4"	97.6	102.5	120.6	30

**SANITARY UNION SERIES**  
卫生级由任系列

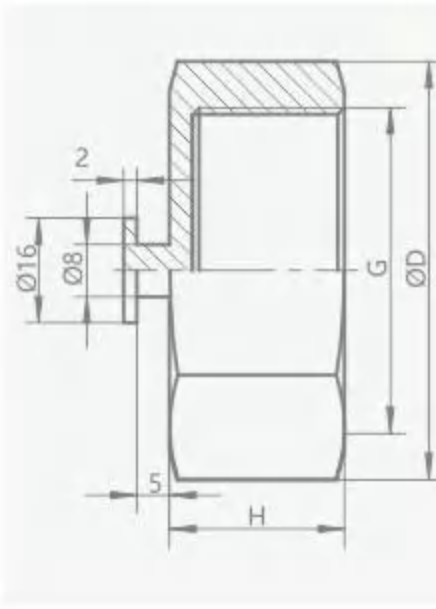


ISO 15螺纹接头 / ISO 15 Male				
Size	ØA	ØB	G	H
1"	22.6	25.6	37.13*8T ACME	21.5
1.5"	35.6	38.6	50.65*8T ACME	21.5
2"	48.6	51.6	64.16*8T ACME	21.5
2.5"	60.3	64.1	77.67*8T ACME	21.5
3"	72.9	76.7	91.19*8T ACME	21.5
4"	97.6	101.6	118.2*8T ACME	21.5
4"	97.6	102.5	125.9*6T ACME	30

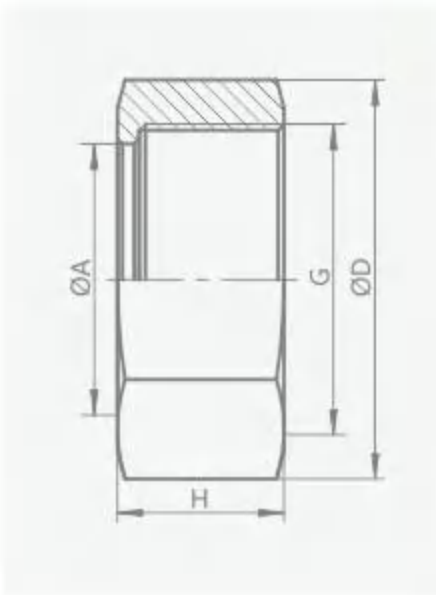


**SANITARY UNION SERIES**  
卫生级由任系列

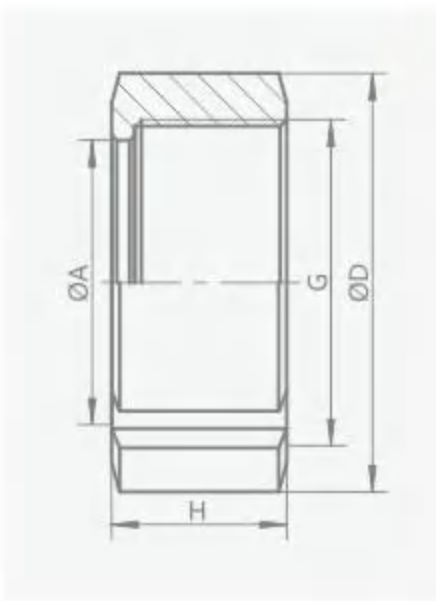
**SANITARY UNION SERIES**  
卫生级由任系列



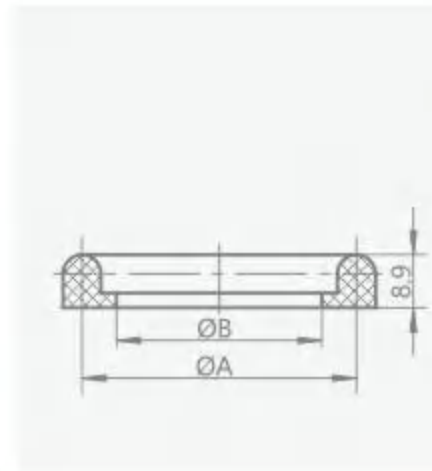
RJT 13HBN六角盲盖螺母 / RJT 13HBN Hexagonal Blank Nut				
Size	G	ØD	H	
1/2"	19.6*10T WHIT	-	16	
3/4"	26.2*10T WHIT	-	16	
1"	42.6*8T WHIT	58.7	22.2	
1.5"	55.3*8T WHIT	75.1	22.2	
2"	68.3*6T WHIT	91.6	22.2	
2.5"	80.9*6T WHIT	106.2	22.2	
3"	93.6*6T WHIT	120.9	22.2	
4"	119.1*6T WHIT	150.1	22.2	
6"	169.6*6T WHIT	212.5	23.8	



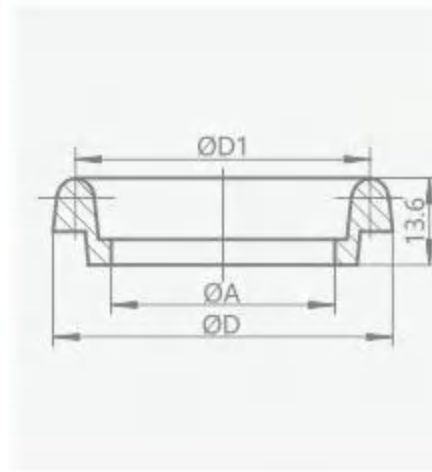
RJT 13H六角螺母 / RJT 13H Hexagonal Nut				
Size	ØA	G	ØD	H
1"	33.3	42.6*8T WHIT	58.7	22.2
1.5"	46	55.3*8T WHIT	75.1	22.2
2"	58.7	68.3*6T WHIT	91.6	22.2
2.5"	71.4	80.9*6T WHIT	106.2	22.2
3"	84.1	93.6*6T WHIT	120.9	22.2
4"	109.5	119.1*6T WHIT	150.1	22.2
6"	163.3	169.6*6T WHIT	212.5	23.8



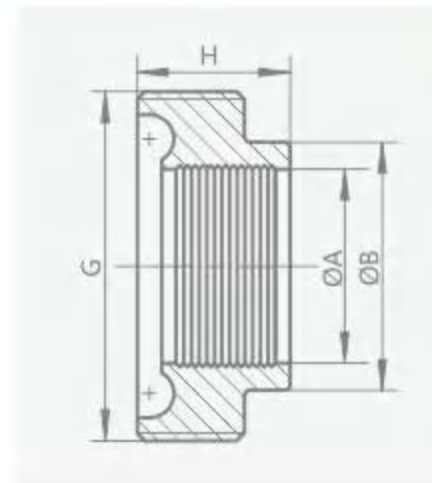
RJT 13R圆螺母 / RJT 13R Round Nut				
Size	ØA	G	ØD	H
1"	33.3	42.6*8T WHIT	58.5	22.2
1.5"	46	55.3*8T WHIT	74	22.2
2"	58.7	68.3*6T WHIT	85.5	22.2
2.5"	71.4	80.9*6T WHIT	98.5	22.2
3"	84.1	93.6*6T WHIT	111.6	22.2
4"	109.5	119.1*6T WHIT	138	22.2
6"	163.3	169.6*6T WHIT	197	23.5



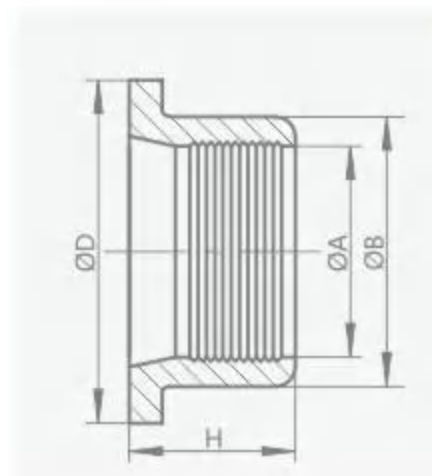
RJT 13SRL由任垫圈(L型) / RJT 13SRL Seal Ring (L-Type)		
Size	ØA	ØB
1"	33.3	22.2
1.5"	46	34.9
2"	58.7	47.6
2.5"	71.4	60.3
3"	84.1	73.6
4"	109.5	97.5
6"	162.6	148.5



RJT 13SRU由任垫圈(U型) / RJT 13SRU Seal Ring (U-Type)			
Size	ØD1	ØA	ØD
1"	33.3	22.2	40
1.5"	46	34.9	53
2"	58.7	47.6	65
2.5"	71.4	60.3	78
3"	84.1	73.6	91
4"	109.5	97.5	116
6"	162.6	148.5	170



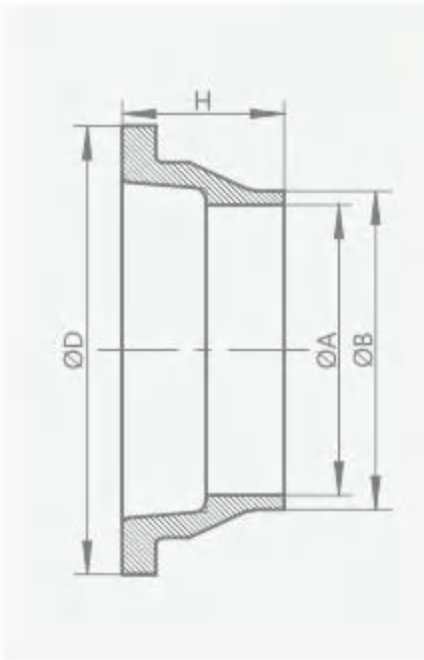
RJT 15R扩展式螺纹接头 / RJT 15R Expand Male				
Size	ØA	ØB	G	H
1"	25.5	32.5	45.72*8T WHIT	20
1.5"	38.2	45.2	58.42*8T WHIT	24
2"	50.9	57.9	72.72*6T WHIT	28
2.5"	63.6	70.6	85.42*6T WHIT	32
3"	76.3	83.3	98.12*6T WHIT	32
4"	101.7	108.7	123.52*6T WHIT	32



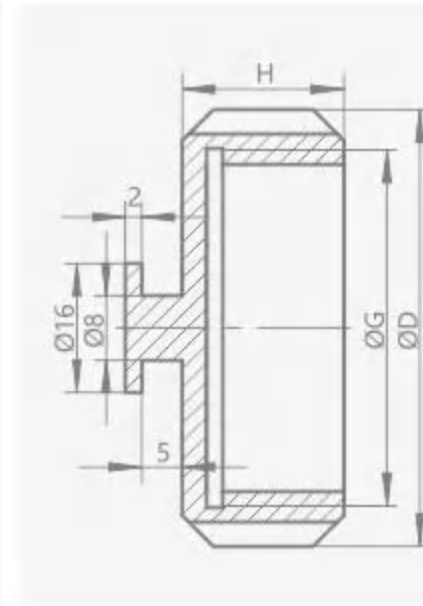
RJT 14R扩展式平接头 / RJT 14R Expand Liner				
Size	ØA	ØB	ØD	H
1"	25.5	32.5	41.3	20
1.5"	38.2	45.2	54	24
2"	50.9	57.9	66.7	28
2.5"	63.6	70.6	79.4	32
3"	76.3	83.3	92.1	32
4"	101.7	108.7	117.5	32

**SANITARY UNION SERIES**  
卫生级由任系列

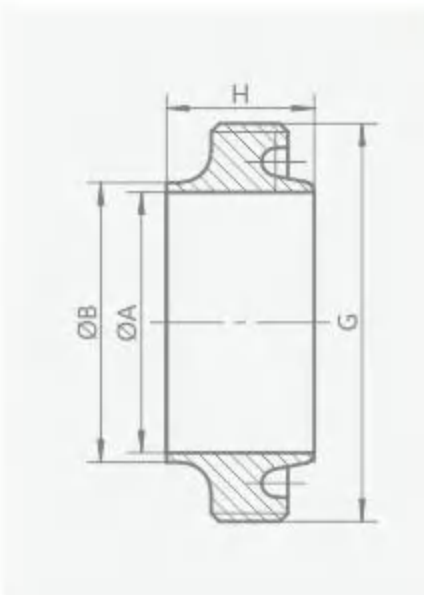
**SANITARY UNION SERIES**  
卫生级由任系列



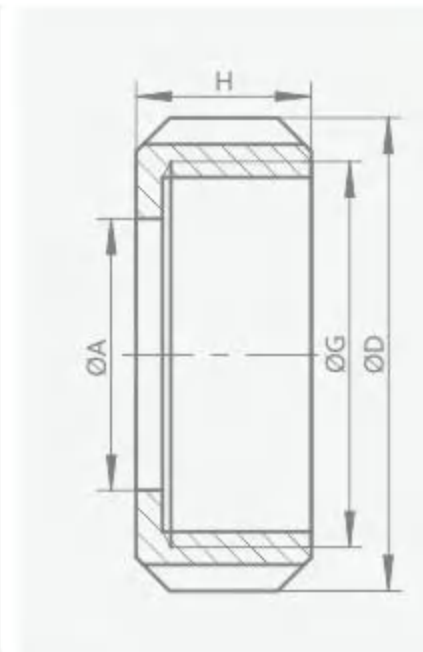
RJT 14平接头 / RJT 14 Liner				
Size	ØA	ØB	ØD	H
1"	22.2	25.4	41.3	19.5
1.5"	34.9	38.1	54	19.5
2"	47.6	50.8	66.7	19.5
2.5"	60.3	63.5	79.4	19.5
3"	73	76.2	92.1	19.5
4"	97.6	101.6	117.5	19.5
6"	148	152.4	169.1	23.5



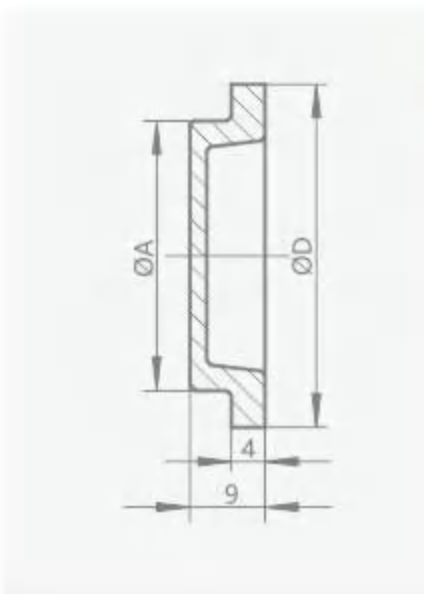
SMS 13RBN圆形盲盖螺母 / SMS 13RBN Round Bland Nut			
Size	ØD	ØG	H
12.7/19	44	RD34*1/8	18
25	51	RD40*1/6	19
32	60	RD48*1/6	22
38	74	RD60*1/6	23
51	84	RD70*1/6	24
63	100	RD85*1/6	28
76	114	RD98*1/6	30
101.6小	138	RD125*1/4	31
101.6大	150	RD132*1/6	31
127	178	RD160*1/6	34
152.4	197	RD180*1/6	32



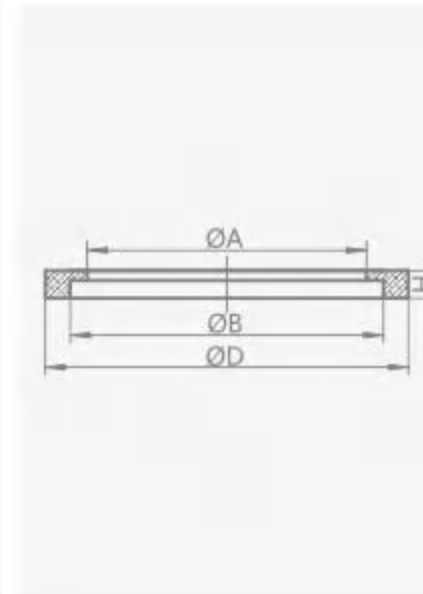
RJT 15螺纹接头 / RJT 15 Male				
Size	ØA	ØB	G	H
1"	22.2	25.4	45.72*8T WHIT	27
1.5"	34.9	38.1	58.42*8T WHIT	27
2"	47.6	50.8	72.72*6T WHIT	27
2.5"	60.3	63.5	85.42*6T WHIT	27
3"	73	76.2	98.12*6T WHIT	27
4"	97.6	101.6	123.52*6T WHIT	27
6"	148	152.4	174.32*6T WHIT	24



SMS 13RBN圆形盲盖螺母 / SMS 13RBN Round Bland Nut				
Size	ØA	ØG	ØD	H
12.7/19	25	RD34*1/8	44	18
25	32	RD40*1/6	51	19
32	40	RD48*1/6	60	22
38	48.5	RD60*1/6	74	23
51	60.5	RD70*1/6	84	24
63	74	RD85*1/6	100	28
76	87	RD98*1/6	114	30
101.6小	113	RD125*1/4	138	31
101.6大	117	RD132*1/6	150	31
127	138	RD160*1/6	178	34
152.4	164	RD180*1/6	197	32

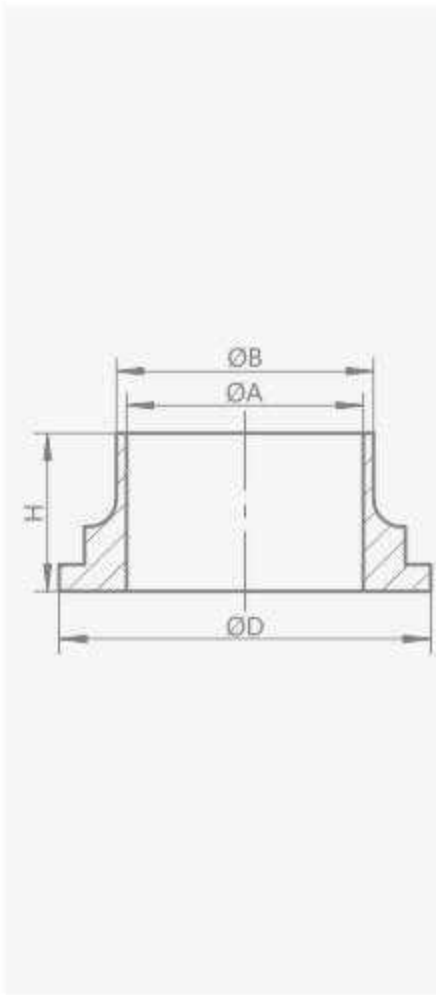


RJT 14B堵板 / RJT 14B End Cap		
Size	ØD	ØA
1"	41.3	32.5
1.5"	54	45.2
2"	66.7	57.9
2.5"	79.4	70.6
3"	92.1	83.3
4"	117.5	108.7
6"	169.5	161

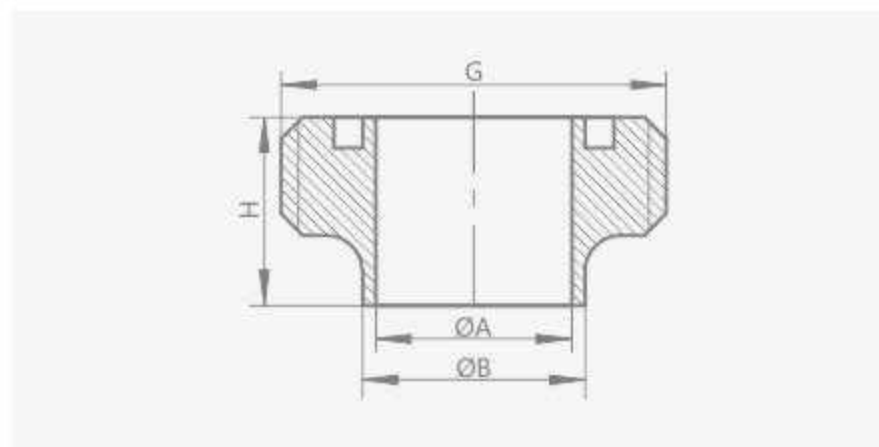


SMS 13SRL由任垫圈(L型) / SMS 13SRL Seal Ring (L-Type)				
Size	ØA	ØB	ØD	H
25	22.8	25.1	31.8	5.3
32	29.1	32.1	39.8	5.3
38	35.8	38.1	47.8	5.3
51	48.8	51.1	60.8	5.3
63	61	63.6	73.3	5.3
76	73.4	76.1	85.8	5.3
101.6	100.5	104.1	115.7	5.3
127	123.8	130.2	141.7	5.3
152.4	149.2	155.2	166.7	5.3

**SANITARY UNION SERIES**  
卫生级由任系列

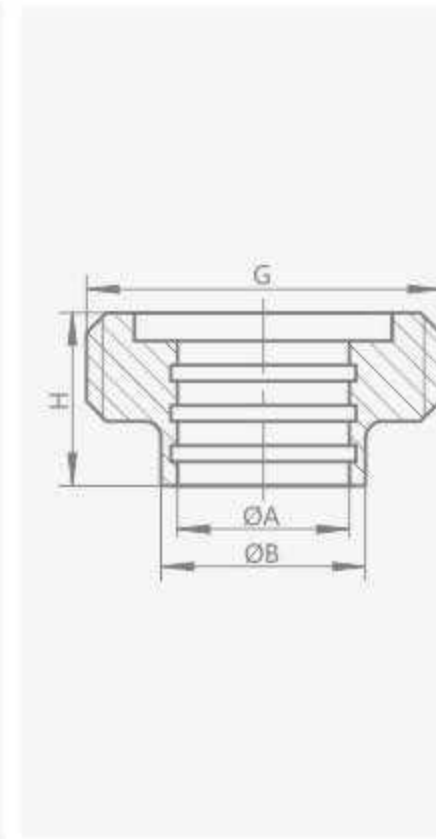


SMS 14GL长型台阶型平接头 / SMS 14GL Long Stepped Liner				
Size	ØA	ØB	ØD	H
12.7	9.4	12.7	30	13
19	15.8	19.1	30	13
25	22.4	25.4	35.5	15.5
32	28.8	31.8	43.5	15.5
38	35.1	38.1	55	16
51	47.8	50.8	65	17
63	60.5	63.5	80	17
76	73.2	76.2	93	19
89	84.9	88.9	101.5	19
101.6小	97.6	101.6	119	19
101.6大	97.6	101.6	126.5	19
127	123	127	150	25
152.4	148.4	152.4	174	25

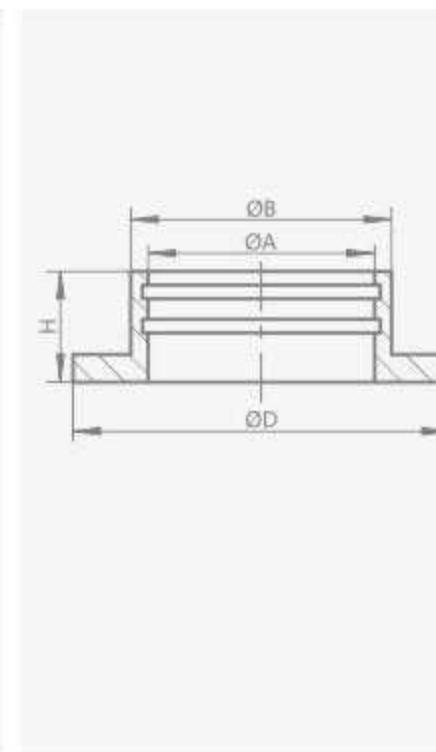


SMS 15L长型螺纹接头 / SMS 15L Long Male				
Size	ØA	ØB	G	H
12.7	9.4	12.7	RD34*1/8	17
19	15.8	19.1	RD34*1/8	17
25	22.4	25.4	RD40*1/6	19
32	28.8	31.8	RD48*1/6	23
38	35.1	38.1	RD60*1/6	23
51	47.8	50.8	RD70*1/6	23
63	60.5	63.5	RD85*1/6	27
76	73.2	76.2	RD98*1/6	27
101.6小	97.6	101.6	RD125*1/4	30
101.6大	97.6	101.6	RD132*1/6	30
127	123	127	RD160*1/6	35
152.4	148.4	152.4	RD180*1/6	35

**SANITARY UNION SERIES**  
卫生级由任系列



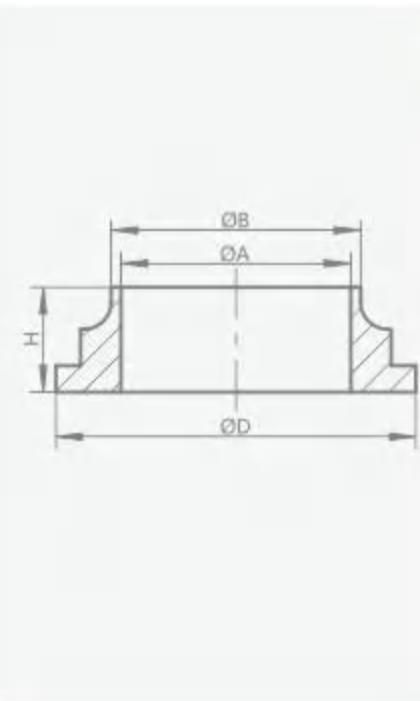
SMS 15R扩展式螺纹接头 / SMS 15R Expanding Male				
Size	ØA	ØB	G	H
19	19.2	25	RD34*1/6	20
25	25.2	32	RD40*1/6	20
32	32.2	40	RD48*1/6	20
38	38.2	47.9	RD60*1/6	23
40	40.2	48	RD60*1/6	23
51	51.2	60.4	RD70*1/6	25
63	63.7	73.5	RD85*1/6	30
76	76.2	86.5	RD98*1/6	35
101.6	101.8	112.5	RD125*1/4	30
104	104.2	112.5	RD132*1/6	30



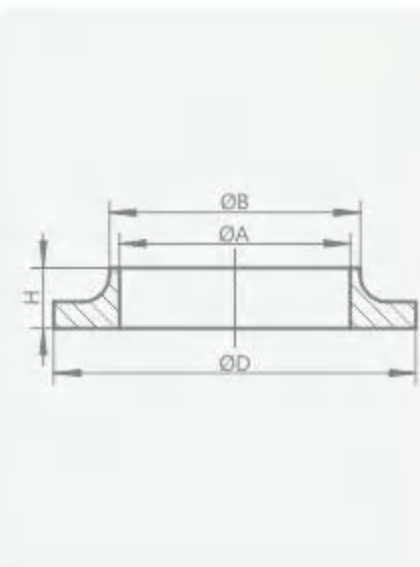
SMS 14R扩展式平接头 / SMS 14R Expanding Liner				
Size	ØA	ØB	ØD	H
25	25.2	31.5	35.5	17
32	32.2	39.5	43.5	17
38	38.2	47.9	55	20
40	40.2	47.5	55	20
51	51.2	60	65	20
63	63.7	73.5	80	25
76	76.2	86.5	93	30
101.6	101.8	112.5	119	27
104	104.2	112.5	126.5	27

**SANITARY UNION SERIES**  
卫生级由任系列

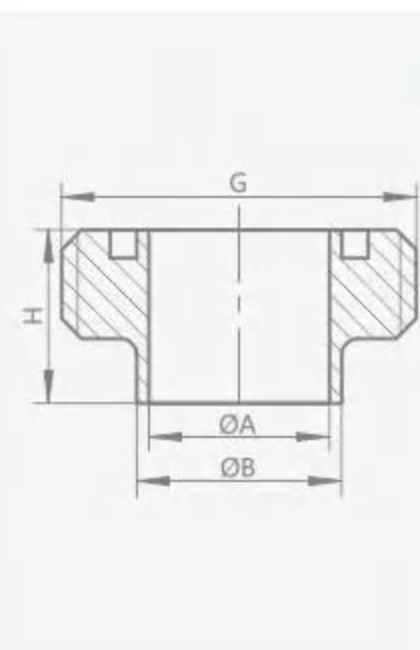
**SANITARY UNION SERIES**  
卫生级由任系列



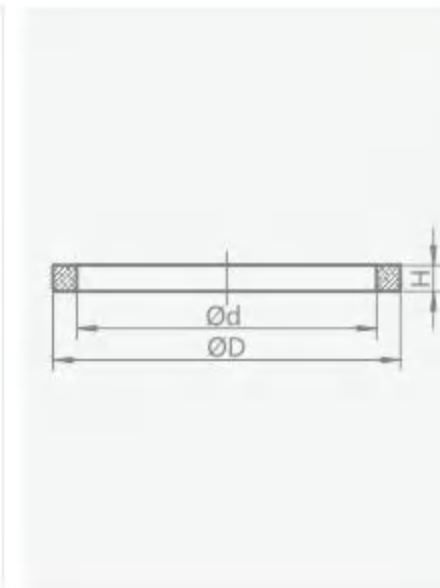
SMS 14GS短型台阶型平接头 / SMS 14GS Short Stepped Liner				
Size	ØA	ØB	ØD	H
12.7	9.4	12.7	30	10
19	15.8	19.1	30	10
25	22.4	25.4	35.5	10
32	28.8	31.8	43.5	10
38	35.1	38.1	55	11
51	47.8	50.8	65	13
63	60.5	63.5	80	13
76	73.2	76.2	93	14
89	84.9	88.9	101.5	16
101.6小	97.6	101.6	119	16
101.6大	97.6	101.6	126.5	16
127	123	127	150	23
152.4	148.4	152.4	174	23



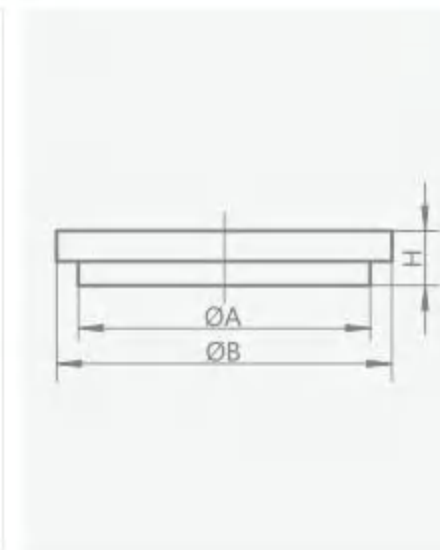
SMS 14S短型无台阶平接头 / SMS 14S Short Liner (Without Step)				
Size	ØA	ØB	ØD	H
12.7	9.4	12.7	30	8
19	15.8	19.1	30	8
25	22.4	25.4	35.5	7.5
32	28.8	31.8	43.5	7.5
38	35.1	38.1	55	9
51	47.8	50.8	65	9
63	60.5	63.5	80	9
76	73.2	76.2	93	10
101.6	97.6	101.6	119	12
101.6	97.6	101.6	126.5	12



SMS 15S短型螺纹接头 / SMS 15S Short Male				
Size	ØA	ØB	G	H
12.7	9.4	12.7	RD34*1/8	16
19	15.8	19.1	RD34*1/8	16
25	22.4	25.4	RD40*1/6	18
32	28.8	31.8	RD48*1/6	19
38	35.1	38.1	RD60*1/6	20
51	47.8	50.8	RD70*1/6	20
63	60.5	63.5	RD85*1/6	24
76	73.2	76.2	RD98*1/6	24
101.6小	97.6	101.6	RD125*1/4	27
101.6大	97.6	101.6	RD132*1/6	30
127	123	127	RD160*1/6	33
152.4	148.4	152.4	RD180*1/6	33



SMS 13SRU由任垫圈(U型) / SMS 13SRU Seal Ring (U-Type)			
Size	Ød	ØD	H
25	24.9	32	5.5
32	31.9	40	5.5
38	37.9	48	5.5
51	50.9	61	5.5
63	63.4	73.5	5.5
76	75.9	86	6
89	87.9	98	6
101.6	103.9	116	6
127	130	142	6
152.4	155	167	6



SMS 14B堵板 / SMS 14B End Cap			
Size	ØA	ØB	H
25	31.5	35.5	7.5
32	39.5	43.5	7.5
38	47.5	55	9
51	59.5	65	10
63	73.5	80	10
76	86	93	11
101.6小	112	119	11
101.6大	116	126.5	11



# SANITARY VACUUM PIPE FITTINGS SERIES

卫生级真空管件系列

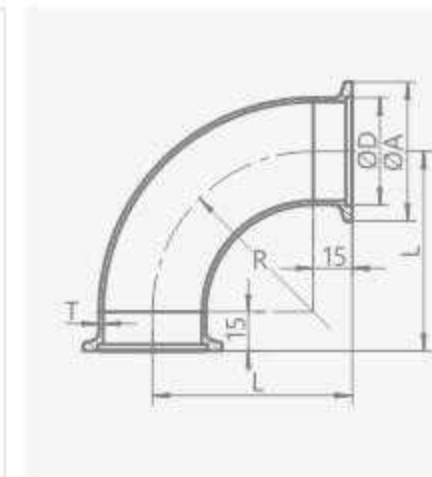
# 10



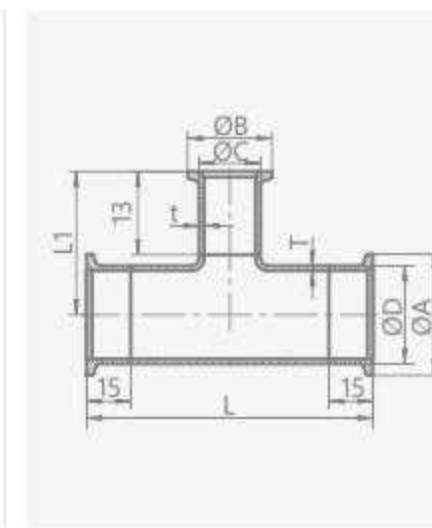
## SANITARY VACUUM PIPE FITTINGS SERIES 卫生级真空管件系列



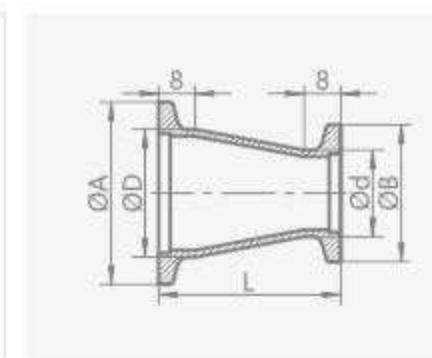
真空法兰式45°弯头 / KF 45° Elbow					
Size	ØA	ØD	T	L	R
KF10	30	13	1.5	21.2	15
KF16	30	19		25.4	25
KF25	40	28		29.5	35
KF40	55	44	2	35.7	50
KF50	75	54		37.8	55



真空法兰式90°弯头 / KF 90° Elbow					
Size	ØA	ØD	T	L	R
KF10	30	13	1.5	30	15
KF16	30	19		40	25
KF25	40	28		50	35
KF40	55	44	2	65	50
KF50	75	54		70	55



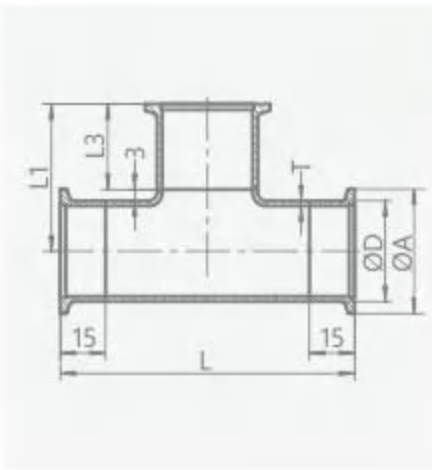
真空法兰式变径三通 / KF Reducer Tee										
Size	ØA	ØD	T	ØB	ØC	t	L	L1	L3	
KF25-KF16	40	28	1.5	30	19	1.5	100	50	33.2	
KF40-KF16	55	44	30	19	130		60	35.2		
KF40-KF25	55	44		40	28		130	60	35.2	
KF50-KF16	75	54	2	30	19	1.5	140	65	35.2	
KF50-KF25	75	54		40	28		140	65	35.2	
KF50-KF40	75	54	55	44	2	140	65	35.2		



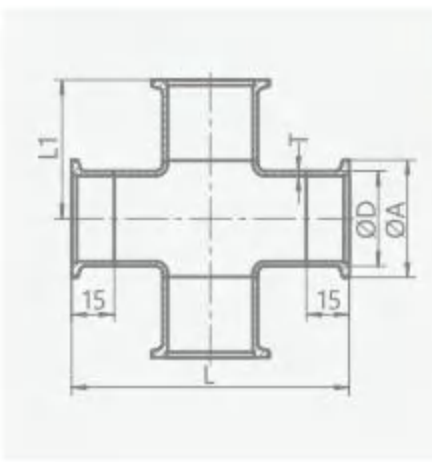
真空法兰式大小头 / KF Concentric Reducer					
Size	ØA	ØD	ØB	Ød	L±0.1
KF25/KF16	40	28	30	19	39.9
KF40/KF25	55	44	40	28	39.9



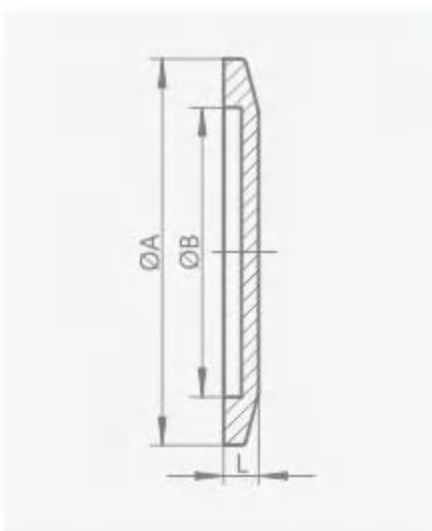
**SANITARY VACUUM PIPE FITTINGS SERIES**  
卫生级真空管件系列



真空法兰式等径三通 / KF Equal Tee						
Size	ØA	ØD	T	L	L1	L3
KF16	30	19	1.5	80	40	27.7
KF25	40	28		100	50	33.2
KF40	55	44	2	130	65	40.2
KF50	75	54		140	70	40.2



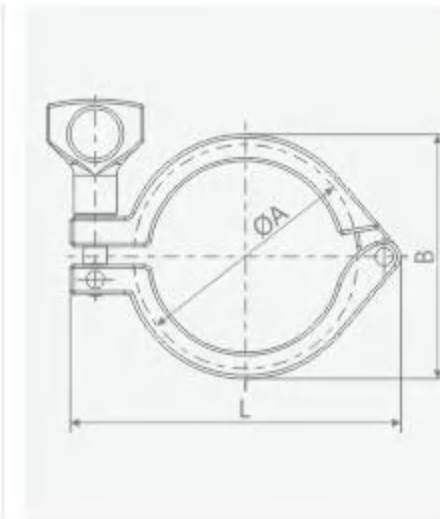
真空法兰式等径四通 / KF 4 Way Cross					
Size	ØA	ØD	T	L	L1
KF16	30	19	1.5	80	40
KF25	40	28		100	50
KF40	55	44	2	130	65
KF50	75	54		140	70



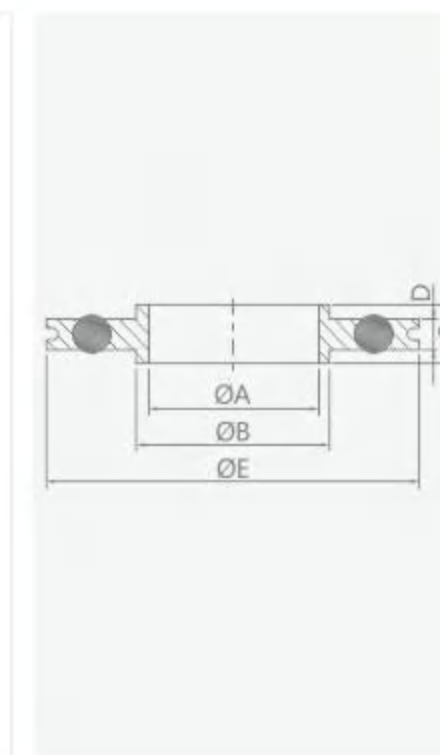
真空盲板法兰 / KF Blank Flange			
Size	ØA	ØB	L
KF10	30	12.2	5
KF16	30	17.2	
KF25	40	26.2	
KF40	55	41.2	
KF50	75	52.2	



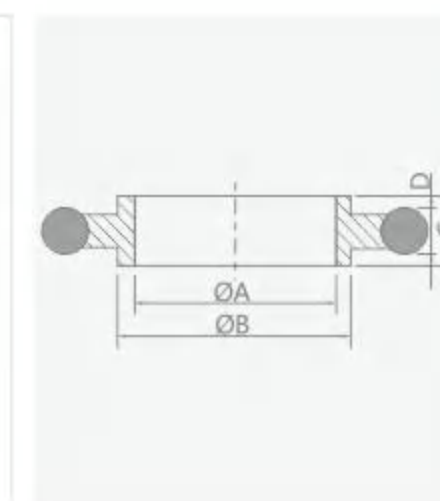
**SANITARY VACUUM PIPE FITTINGS SERIES**  
卫生级真空管件系列



KF-卡箍 / KF Single Pin Clamp			
Size	ØA	B	L
10/16	35	45	62
20/25	45	55	73
32/40	60	70	90
50	80	96	123

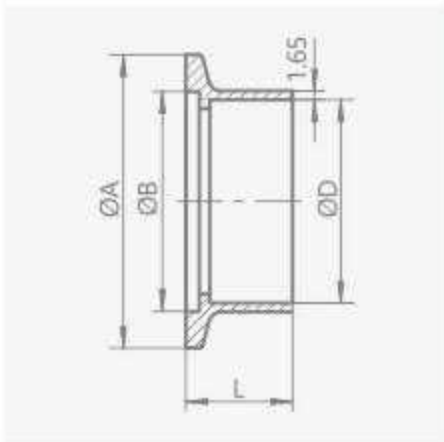


真空密封圈 / ISO Center Ring + O-Ring					
Size	ØA	ØB	C	D	ØE
ISO-63-V-U	67	69.6	8	3.9	91
ISO-80-V-U	80	82.6	8	3.9	104
ISO-100-V-U	100	101.6	8	3.9	123
ISO-160-V-U	150	152.6	8	3.9	170
ISO-200-V-U	210	212.6	8	3.9	234
ISO-250-V-U	257.5	260.4	8	3.9	285
ISO-320-V-U	312	317.3	12	5.6	340
ISO-400-V-U	394	399.2	12	5.6	416
ISO-500-V-U	494	500.2	12	5.6	555



真空密封圈 / KF Center Ring + O-Ring				
Size	ØA	ØB	C	D
KF-10	10	12	8	3.9
KF-16	16	17	8	3.9
KF-25	25	26	8	3.9
KF-40	40	41	8	3.9
KF-50	50	52	8	3.9

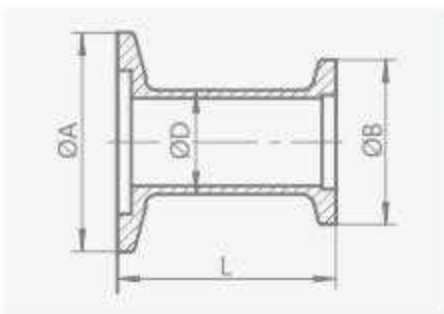
**SANITARY VACUUM PIPE FITTINGS SERIES**  
卫生级真空管件系列



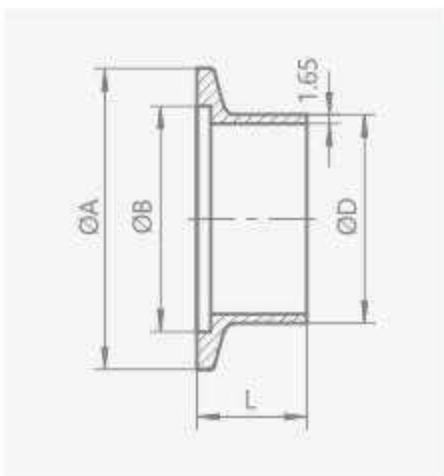
承插焊式真空法兰 / KF Weld Socket Flange					
Size	ØA	ØB	ØD	L	
KF10	30	12.2	13	12.7	40
KF16	30	17.2	19.3		
KF25	40	26.2	25.7		
KF40	55	41.2	38.4	19.1	
KF50	75	52.2	51.1		



承插焊式真空法兰盲板 / KF Weld Socket Blank Flange					
Size	ØA	ØB	ØD	L	
KF10	30	12.2	13	5	
KF16	30	17.2	19.3		
KF25	40	26.2	25.7		
KF40	55	41.2	38.4		
KF50	75	52.2	51.1		

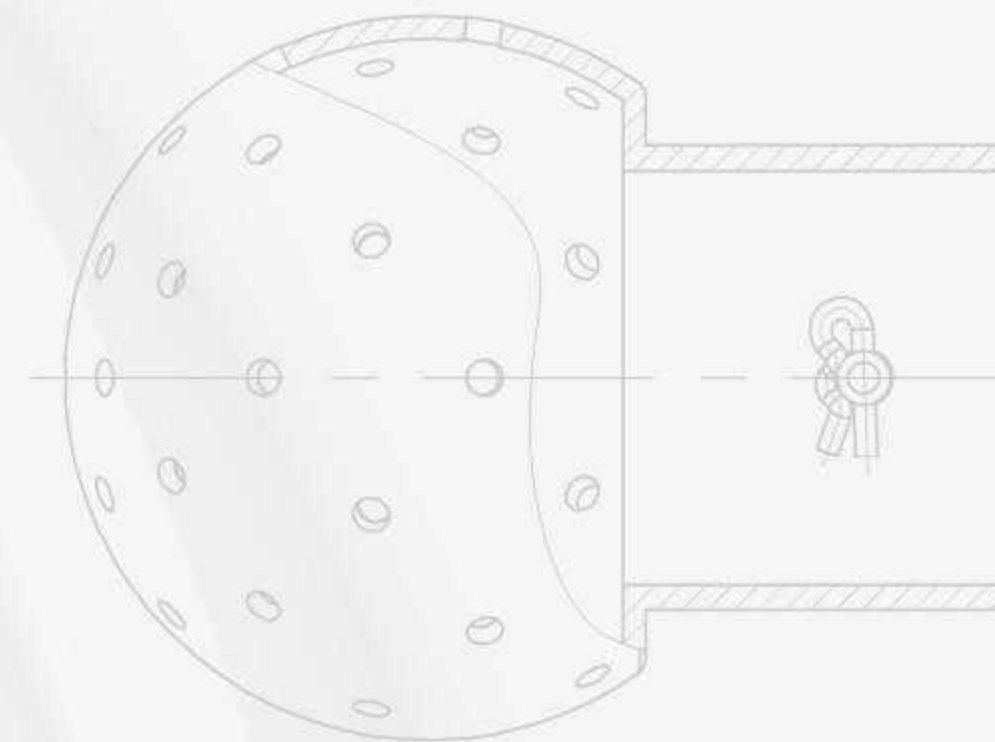


直通真空法兰式大小头 / Straight-through vacuum flange type head and head					
Size	ØA	ØB	ØD	L±0.1	
KF25/KF16	40	30	19	39.9	
KF40/KF25	55	40	28	39.9	



对焊式真空法兰 / KF Short Weld Flange					
Size	ØA	ØB	ØD	L	
KF10	30	12.2	12.7	12.7	12.7
KF16	30	17.2	19.1		12.7
KF25	40	26.2	25.4		12.7
KF40	55	41.2	38.1	19.1	19.1
KF50	75	52.2	50.8		19.1

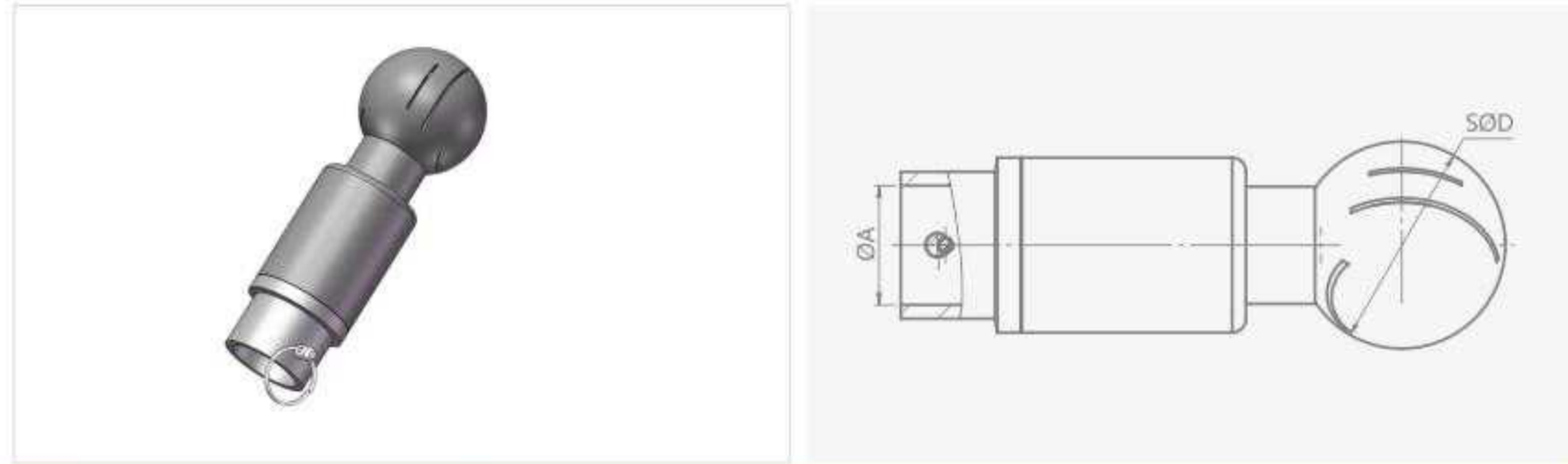
**CLEANING BALL SERIES**  
清洗球系列



**11**

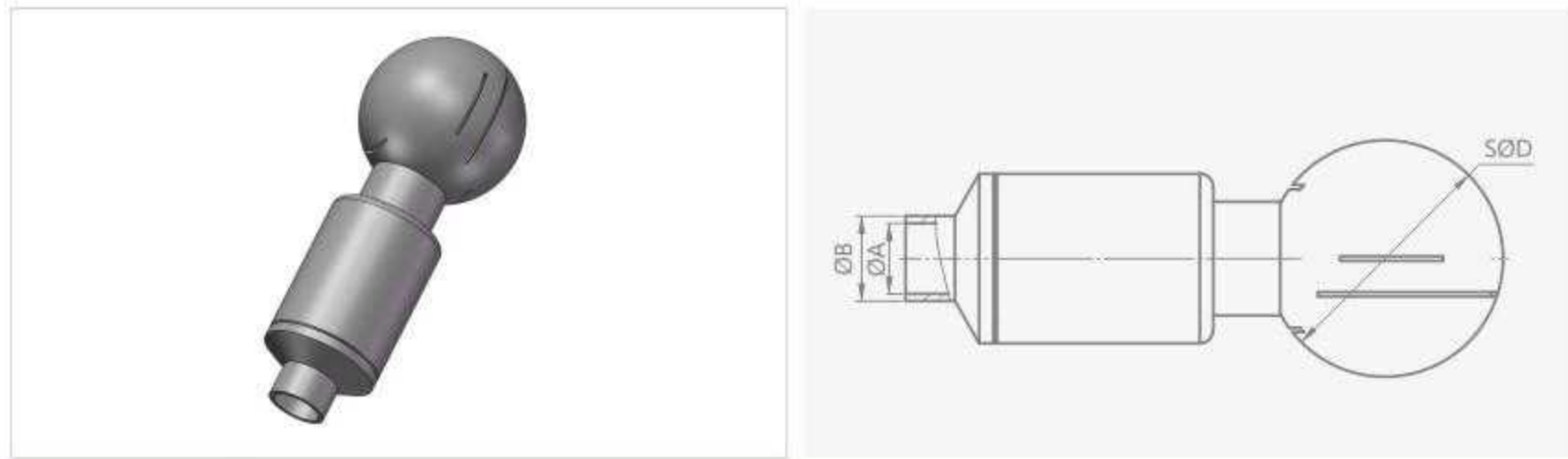


**CLEANING BALL SERIES**  
清洗球系列



插销旋转式清洗球 / Bolt rotary cleaning ball

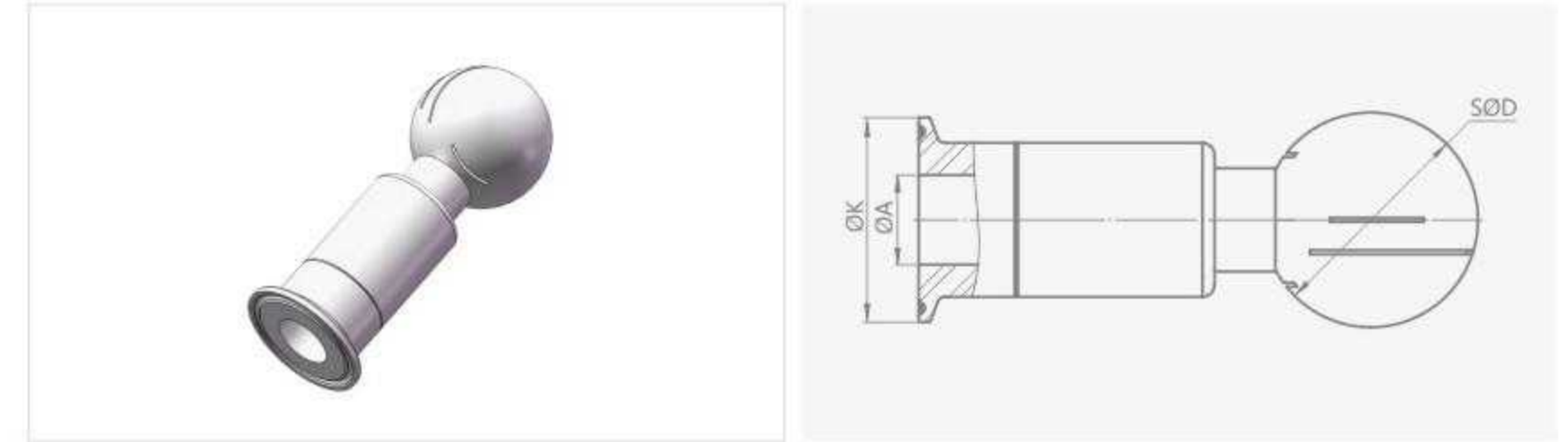
DIN	ØA	3A	ØA	ISO/SMS	ØA	SØD
DN15	18.5	1/2"	13.2	12.7	13.2	38
DN20	22.5	3/4"	19.6	19	19.6	53
DN25	28.5	1.0"	26	25	26	53
DN32	35.5	1.25"	32.3	32	32.3	53
DN40	40.5	1.5"	38.6	38	38.6	63
DN50	52.5	2.0"	51.3	51	51.3	76



焊接旋转式清洗球 / Weld rotary cleaning ball

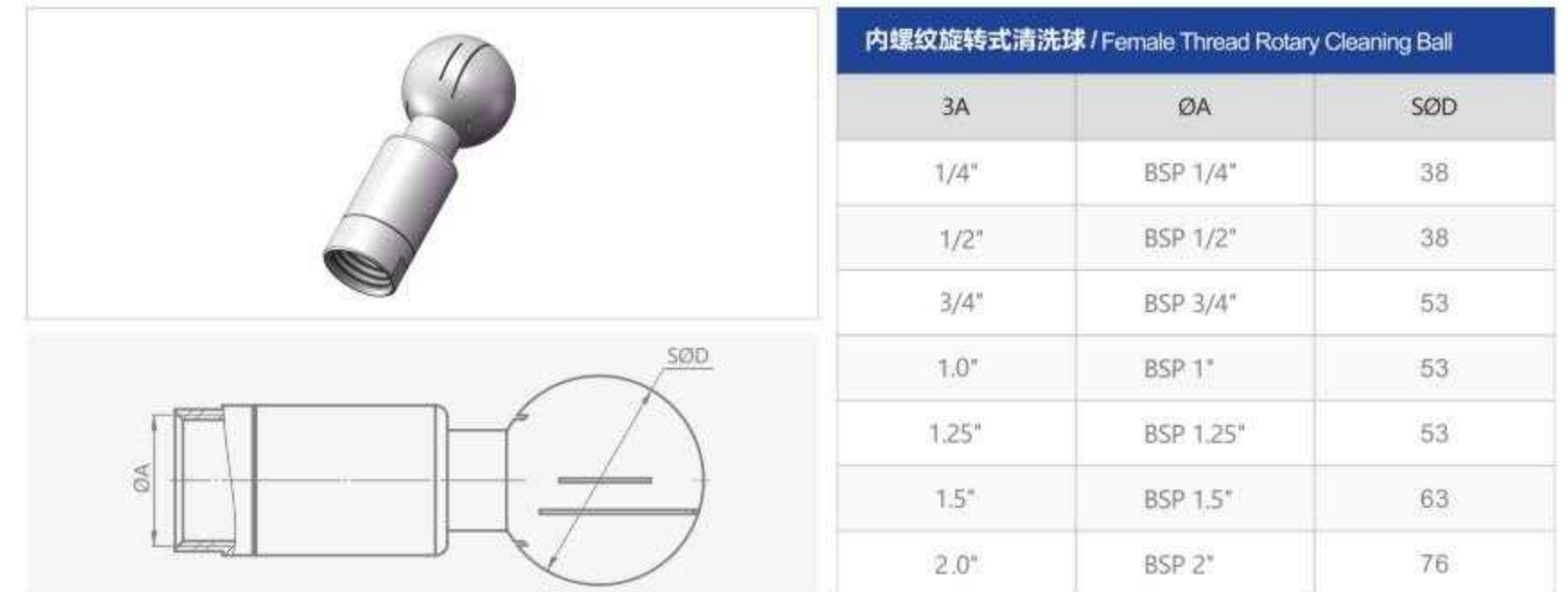
DIN	ØA	ØB	3A	ØA	ØB	ISO/SMS	ØA	ØB	SØD
DN15	15	18	1/2"	9.4	12.7	12.7	9.7	12.7	38
DN20	19	22	3/4"	15.8	19.1	19	16.1	19.1	53
DN25	25	28	1.0"	22.1	25.4	25	22.4	25.4	53
DN32	31	34	1.25"	28.5	31.8	32	28.8	31.8	53
DN40	37	40	1.5"	34.8	38.1	38	35.1	38.1	63
DN50	49	52	2.0"	47.5	50.8	51	47.8	50.8	76

**CLEANING BALL SERIES**  
清洗球系列



夹式旋转式清洗球 / Clamp Rotary Cleaning Ball

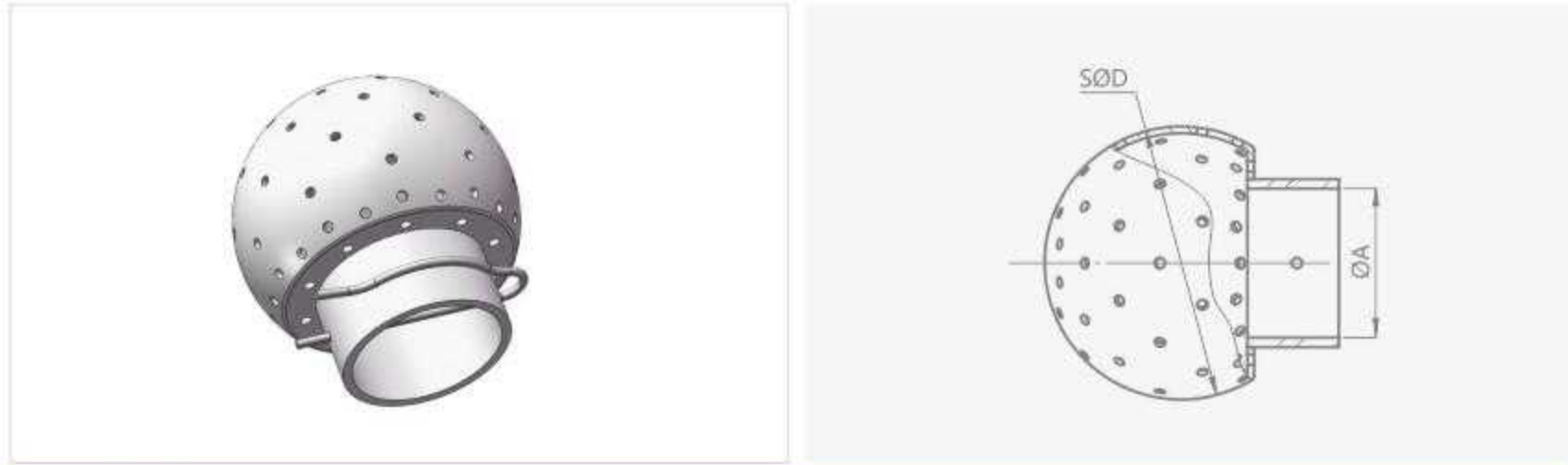
DIN	ØA	3A	ØA	ISO/SMS	ØA	ØK	SØD
DN15	15	1/2"	9.4	12.7	9.7	25.2/K34	38
DN20	19	3/4"	15.8	19	16.1	50.5	53
DN25	25	1.0"	22.1	25	22.4	50.5	53
DN32	31	1.25"	28.5	32	28.8	50.5	53
DN40	37	1.5"	34.8	38	35.1	50.5	63
DN50	49	2.0"	47.5	51	47.8	64	76



内螺纹旋转式清洗球 / Female Thread Rotary Cleaning Ball

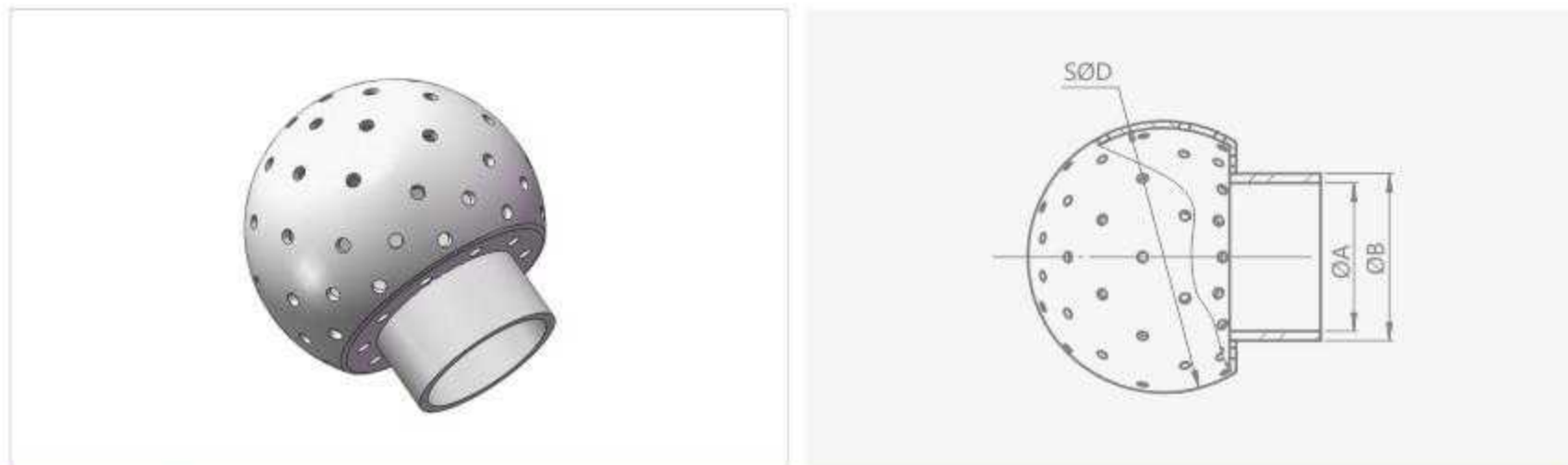
3A	ØA	SØD
1/4"	BSP 1/4"	38
1/2"	BSP 1/2"	38
3/4"	BSP 3/4"	53
1.0"	BSP 1"	53
1.25"	BSP 1.25"	53
1.5"	BSP 1.5"	63
2.0"	BSP 2"	76

## CLEANING BALL SERIES 清洗球系列



插销固定式清洗球 / Bolt fixed cleaning ball

DIN	ØA	3A	ØA	ISO/SMS	ØA	SØD
DN15	18.5	1/2"	13.2	12.7	13.2	40
DN20	22.5	3/4"	19.6	19	19.6	40
DN25	28.5	1.0"	26	25	26	65
DN32	35.5	1.25"	32.3	32	32.3	65
DN40	40.5	1.5"	38.6	38	38.6	65
DN50	52.5	2.0"	51.3	51	51.3	76



焊接固定式清洗球 / Weld Fixed cleaning ball

DIN	ØA	ØB	3A	ØA	ØB	ISO/SMS	ØA	ØB	SØD
DN15	15	18	1/2"	9.4	12.7	12.7	9.7	12.7	40
DN20	19	22	3/4"	15.8	19.1	19	16.1	19.1	40
DN25	25	28	1.0"	22.1	25.4	25	22.4	25.4	65
DN32	31	34	1.25"	28.5	31.8	32	28.8	31.8	65
DN40	37	40	1.5"	34.8	38.1	38	35.1	38.1	65
DN50	49	52	2.0"	47.5	50.8	51	47.8	50.8	76

## CLEANING BALL SERIES 清洗球系列



夹式固定式清洗球 / Clamp Fixed Cleaning Ball

DIN	ØA	ØB	3A	ØA	ØB	ISO/SMS	ØA	ØB	ØK	SØD
DN15	15	18	1/2"	9.4	12.7	12.7	9.7	12.7	25.2/K34	40
DN20	19	22	3/4"	15.8	19.1	19	16.1	19.1	25.2/34	40
DN25	25	28	1.0"	22.1	25.4	25	22.4	25.4	50.5	65
DN32	31	34	1.25"	28.5	31.8	32	28.8	31.8	50.5	65
DN40	37	40	1.5"	34.8	38.1	38	35.1	38.1	50.5	65
DN50	49	52	2.0"	47.5	50.8	51	47.8	50.8	64	76

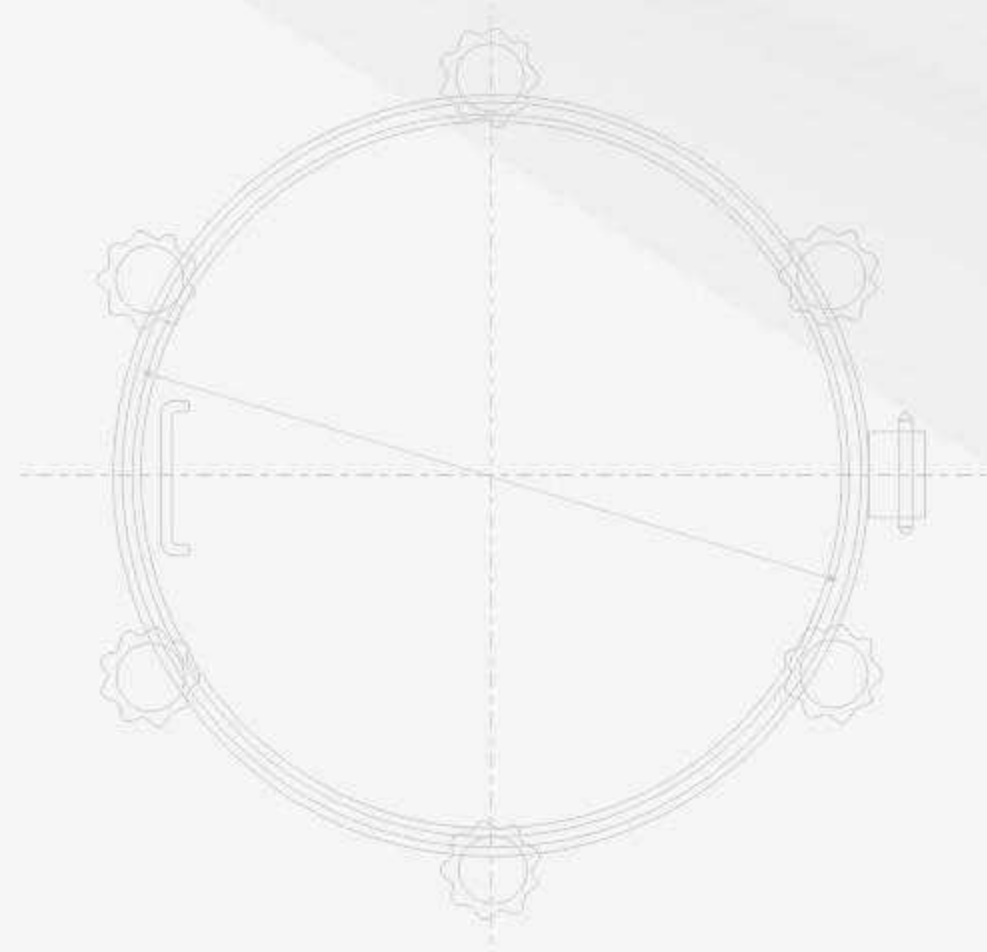
以上尺寸仅供参考，未尽尺寸以我司实物为准，另：球体大小及总长可按要求订制。



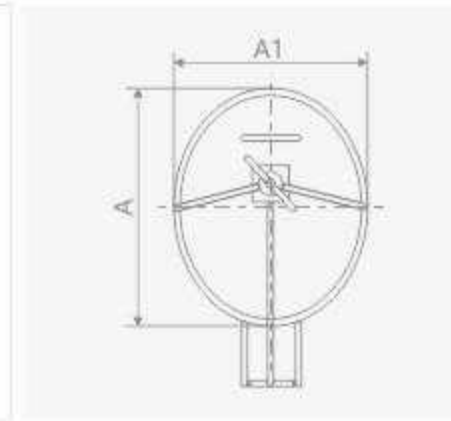
# SANITARY GRADE MANHOLE SERIES

卫生级人孔系列

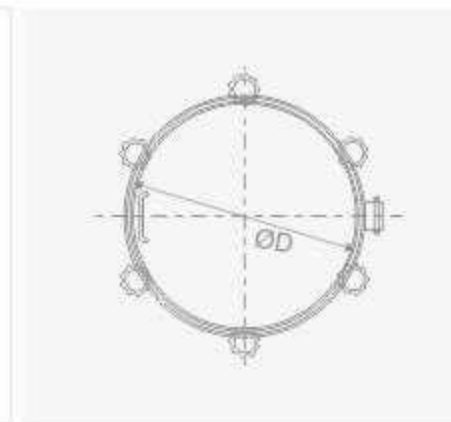
# 12



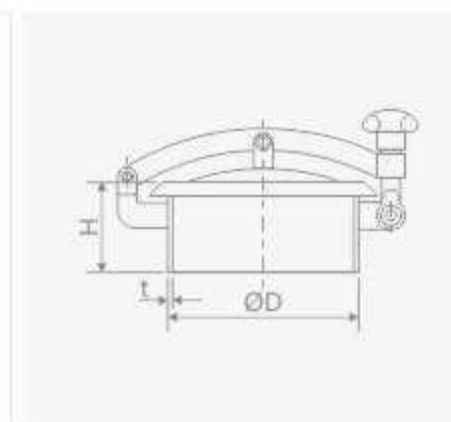
## SANITARY GRADE MANHOLE SERIES 卫生级人孔系列



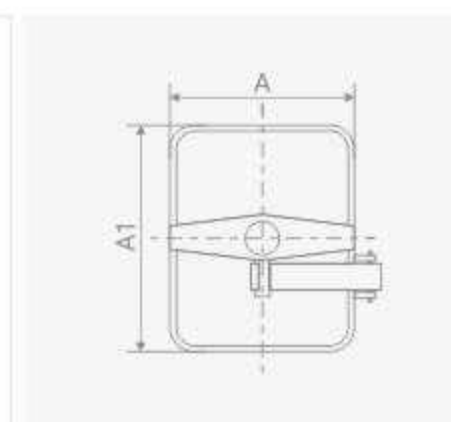
椭圆形孔盖(压力型) / Oval manhole cover (With pressure)		
A	A1	高度(Height)
435.0	335.0	75.0
535.0	435.0	75.0
635.0	525.0	75.0



圆形孔盖(压力型) / Round manhole cover (With pressure)	
D	高度(Height)
400.0	120.0
430.0	120.0
450.0	120.0
500.0	120.0
600.0	120.0



圆形孔盖(非压力型) / Round manhole cover (Without pressure)		
D	H	T
400.0	100.0	2.0
430.0	100.0	2.5
450.0	100.0	2.5
500.0	100.0	3.5
600.0	100.0	3.5

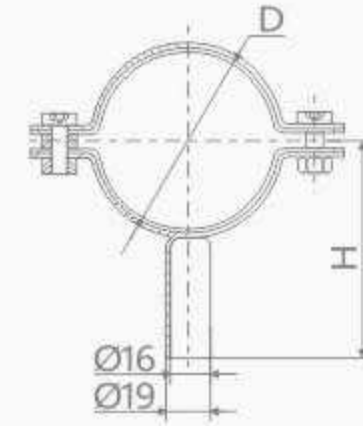
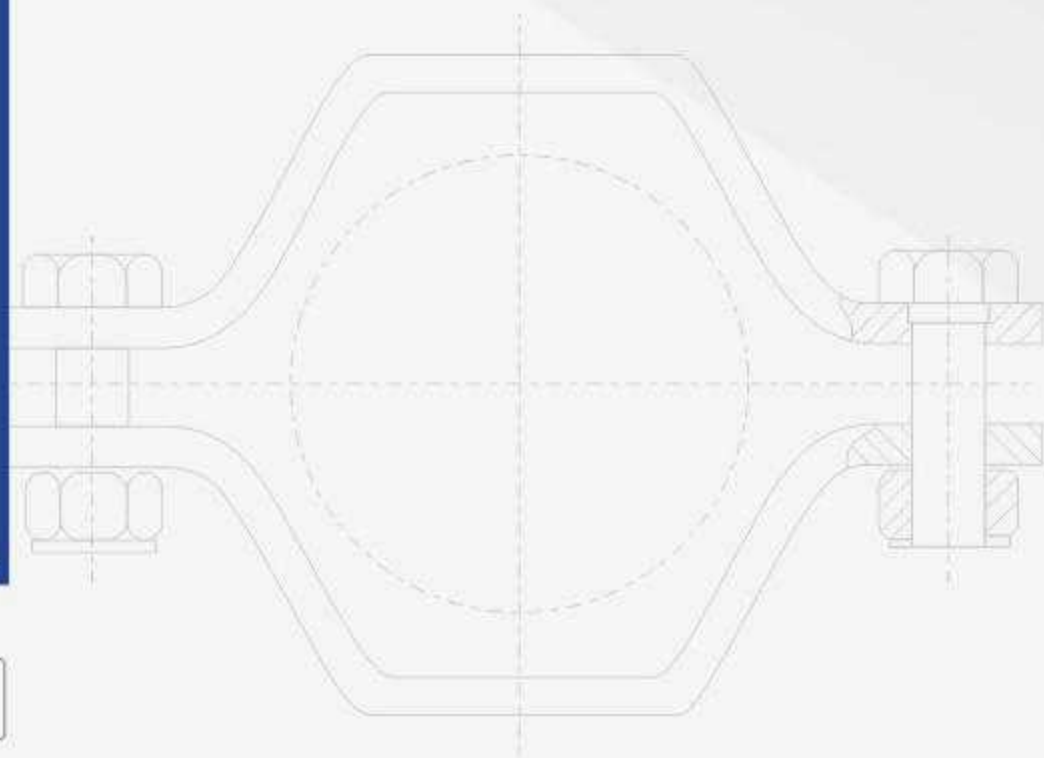


长方形孔盖(非压力型) / Rectangular manhole cover (Without pressure)		
A	A1	高度(Height)
335.0	435.0	65.0
435.0	512.0	65.0

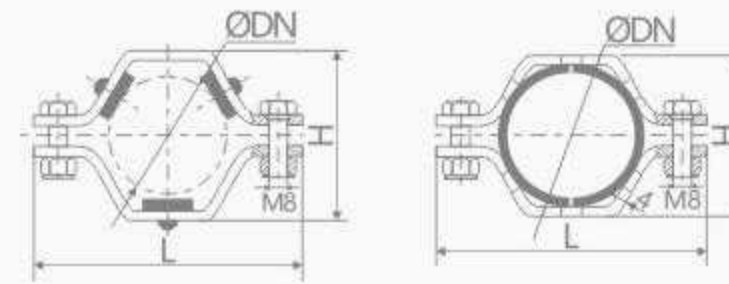
PIPE SUPPORT SERIES  
管支架系列

PIPE  
SUPPORT  
SERIES  
管支架系列

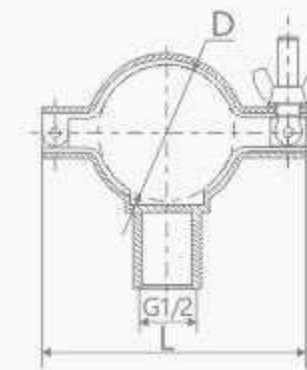
13



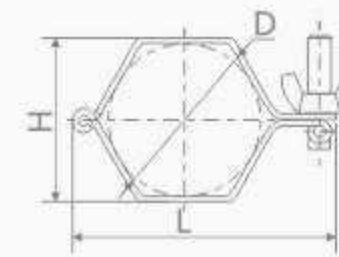
Size	D	H
1/2"	12.7	58.4
3/4"	19.1	62.5
1"	25.4	65.7
1½"	38.1	72
2"	50.8	78.4
2½"	63.5	84.8
3"	76.2	91
4"	101.6	103.8
5"	129	117.5
6"	154	130
8"	204	155
10"	254	180
12"	304	205



Size	D	L
1"	25.4	87
1½"	38.1	101.6
2"	50.8	114.3
2½"	63.5	120.6
3"	76.2	139.7
4"	101.6	171.4

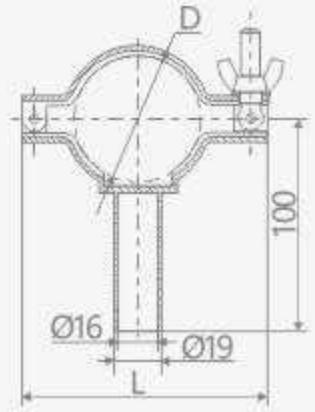


Size	D	L
1"	25.4	61
1½"	38.1	76
2"	50.8	90
2½"	63.5	106
3"	76.2	120
4"	101.6	146

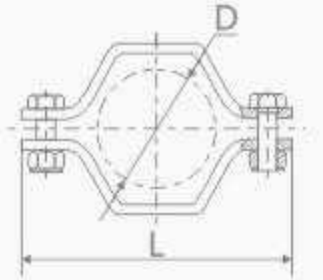


Size	D	L	H
1"	25.4	87	28
1½"	38.1	101.6	40
2"	50.8	114.3	52
2½"	63.5	120.6	66
3"	76.2	139.7	77
4"	101.6	171.4	104

PIPE SUPPORT SERIES  
管支架系列

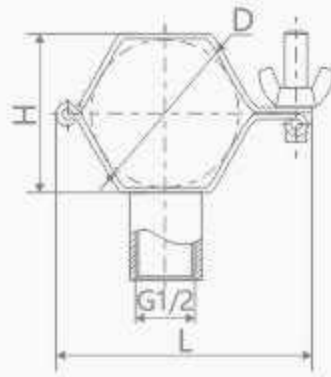


Size	D	L
1"	25.4	61
1½"	38.1	76
2"	50.8	90
2½"	63.5	106
3"	76.2	120
4"	101.6	146



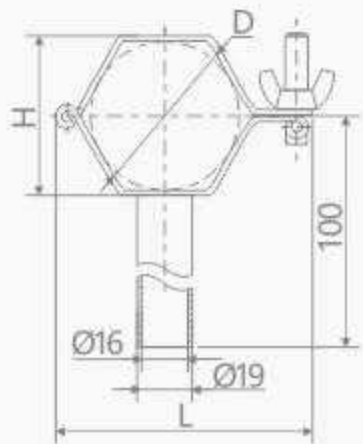
Size	D	L
21.3	21.3	68
26.9	26.9	74
33.7	33.7	82
42.4	42.4	93
48.3	48.3	101
60.3	60.3	114
88.9	88.9	149
114.3	114.3	177

60074



Size	D	L	H
1"	25.4	61	28
1½"	38.1	76	40
2"	50.8	90	52
2½"	63.5	106	66
3"	76.2	120	77
4"	101.6	146	104

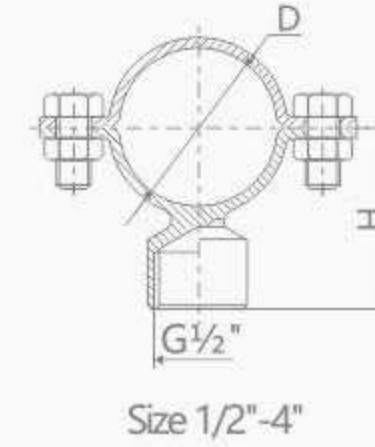
60075



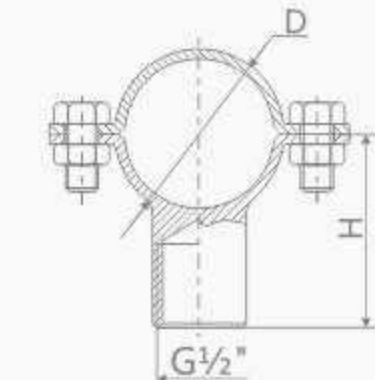
Size	D	L	H
1"	25.4	61	28
1½"	38.1	76	40
2"	50.8	90	52
2½"	63.5	106	66
3"	76.2	120	77
4"	101.6	146	104

PIPE SUPPORT SERIES  
管支架系列

60076-1

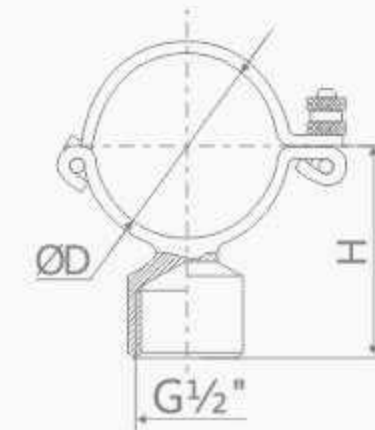


Size 1/2"-4"



Size 5"-12"

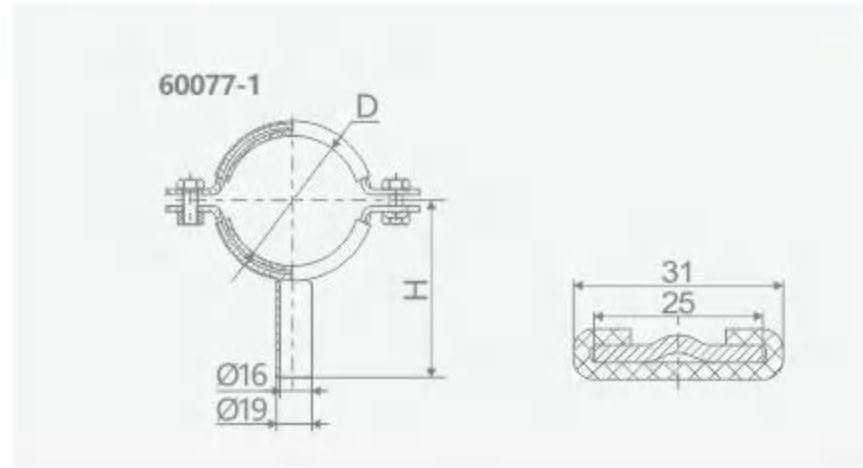
60076-2



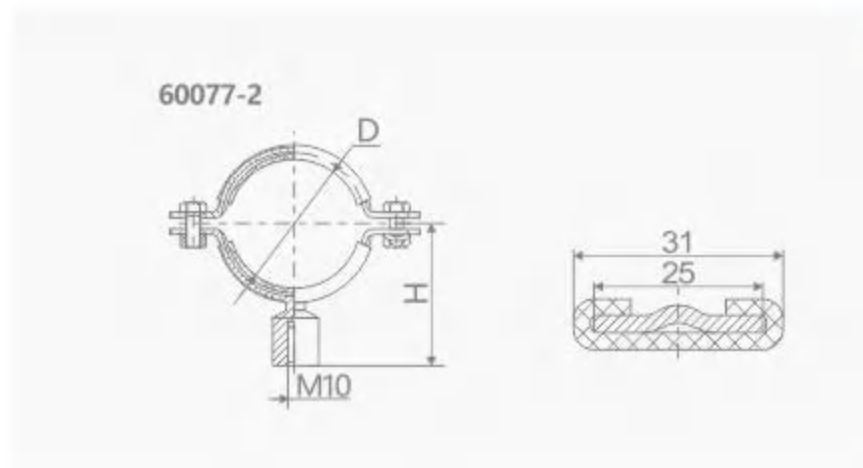
Size	D	H
1/2"	12.7	35.9
3/4"	19.1	39
1/2"NB	21.3	40.2
1"	25.4	42.2
3/4"NB	26.7	42.9
1¼"	32	45.5
1"NB	33.4	46.2
1½"	38.1	48.6
1¼"NB	42.2	50.6
1½"NB	48.3	53.7
2"	50.8	55
2"NB	60.3	59.7
2½"	63.5	62
2½"NB	73	66.5
3"	76.2	68
3"NB	89	74.5
4"	102	82
4"NB	114	88
5"	129	101.5
6"	154	114
6"NB	168	122
8"	204	139
10"	254	164
12"	304.8	189

Size	D	H
1/2"	12.7	35.9
3/4"	19.1	39
1/2"NB	21.3	40.2
1"	25.4	42.2
3/4"NB	26.7	42.9
1¼"	32	45.5
1"NB	33.4	46.2
1½"	38.1	48.6
1¼"NB	42.2	50.6
1½"NB	48.3	53.7
2"	50.8	55
2"NB	60.3	59.7
2½"	63.5	62
2½"NB	73	66.5
3"	76.2	68
3"NB	89	74.5
4"	102	82
4"NB	114	88

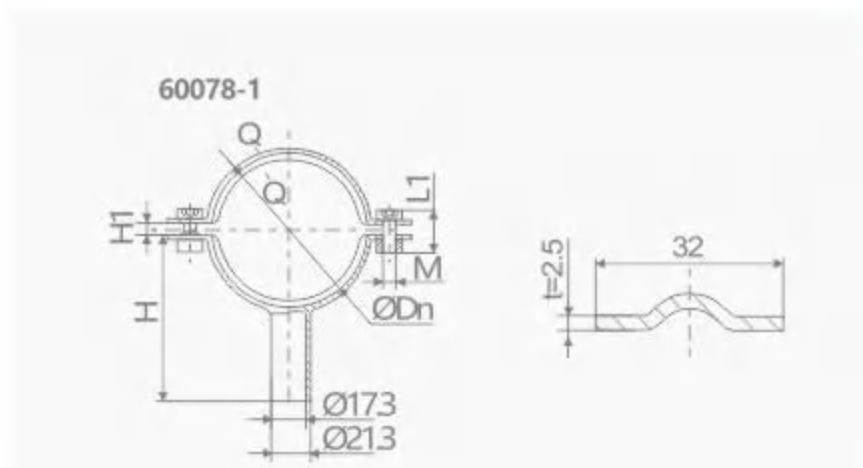
PIPE SUPPORT SERIES  
管支架系列



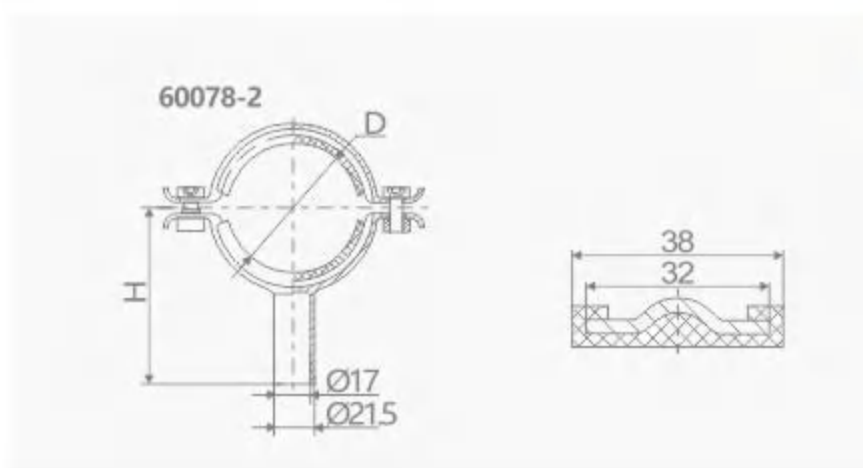
Size	D	H
1/2"	12.7	90
3/4"	19.1	90
1"	25.4	90
1½"	38.1	90
2"	50.8	90
2½"	60.5	90
3"	76.2	90
4"	101.6	90
5"	129	117.5
6"	154	130
8"	204	155
10"	254	180
12"	304	205



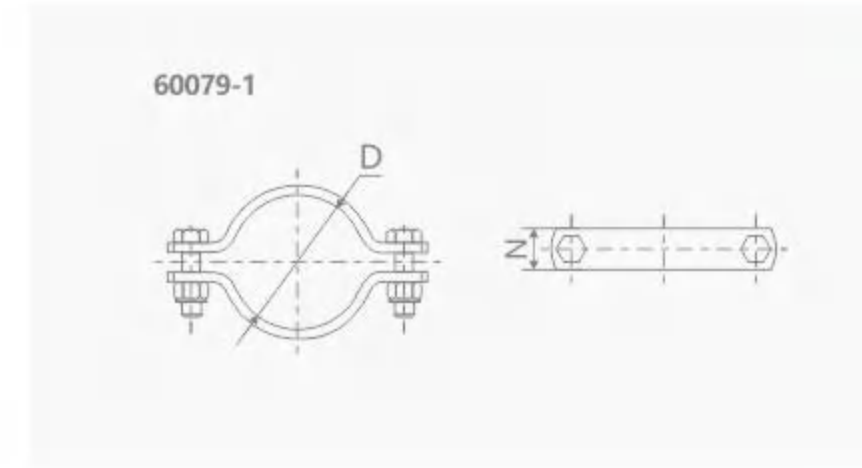
Size	D	H
1/2"	12.7	40.4
3/4"	19.1	44.5
1"	25.4	47.7
1½"	38.1	54
2"	50.8	60.4
2½"	63.5	66.8
3"	76.2	73
4"	101.6	85.8
5"	129	99.5
6"	154	94
8"	204	137
10"	254	162
12"	304	187



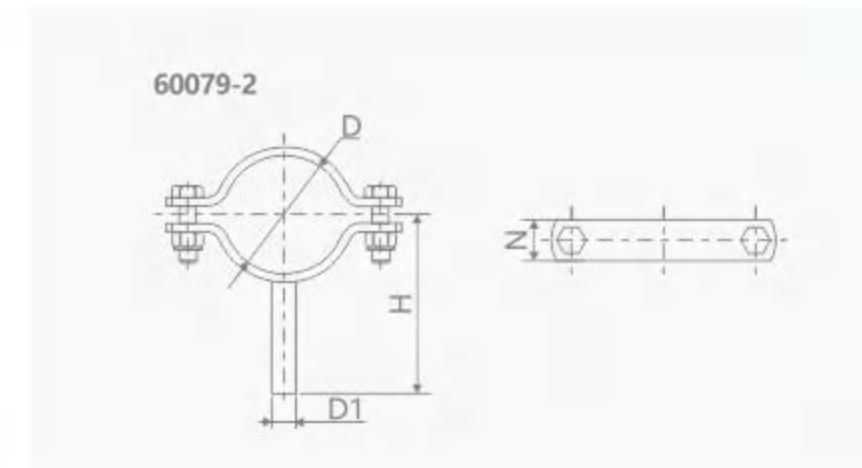
Size	D	H
1/2"	12.7	90
3/4"	19.1	90
1"	25.4	90
1½"	38.1	90
2"	50.8	90
2½"	63.5	90
3"	76.2	90
4"	101.6	90
5"	129	125
6"	154	135
8"	204	145
10"	254	174
12"	304	200



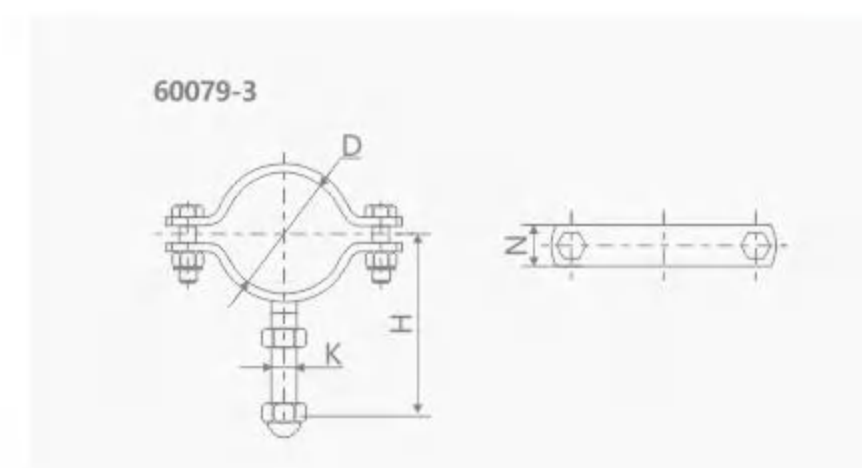
Size	D	H
1/2"	12.7	90
3/4"	19.1	90
1"	25.4	90
1½"	38.1	90
2"	50.8	90
2½"	63.5	90
3"	76.2	90
4"	101.6	90
5"	129	125
6"	154	135
8"	204	145
10"	254	174
12"	304	200



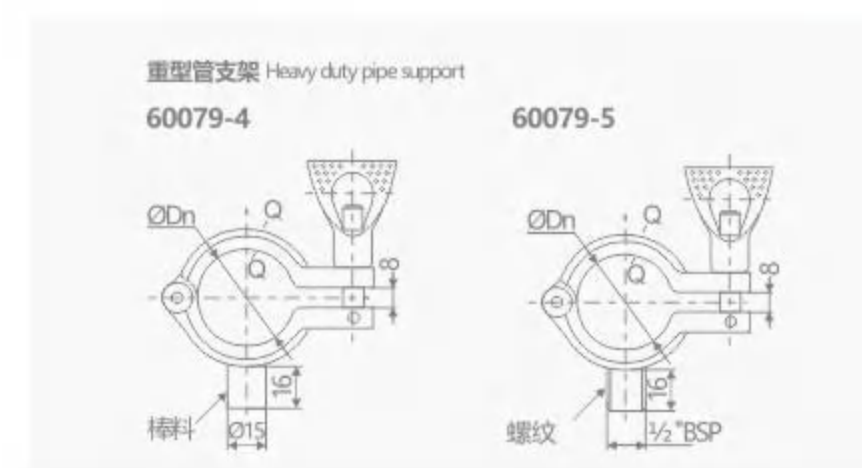
Size	D	N
DN10	13	20
DN15	19	20
DN20	23	20
DN25	29	20
DN32	35	20
DN40	41	20
DN50	53	20
DN65	70	20
DN80	85	25
DN100	104	25
DN125	129	30
DN150	154	40
DN200	204	50
DN250	254	60



Size	D	D1	H	N
DN10	13	8	64	20
DN15	19	8	67	20
DN20	23	8	69	20
DN25	29	10	72	20
DN32	35	10	75	20
DN40	41	10	78	20
DN50	53	12	84	20
DN65	70	12	93	20
DN80	85	12	100	25
DN100	104	12	110	25
DN125	129	16	140	30
DN150	154	16	180	40
DN200	204	20	240	50
DN250	254	24	280	60



Size	D	K	H	N
DN10	13	M8	74	20
DN15	19	M8	77	20
DN20	23	M8	79	20
DN25	29	M10	102	20
DN32	35	M10	105	20
DN40	41	M10	108	20
DN50	53	M12	114	20
DN65	70	M12	123	20
DN80	85	M12	130.5	25
DN100	104	M12	140	25
DN125	129	M16	168.5	30
DN150	154	M16	202	40
DN200	204	M20	255	50
DN250	254	M22	295	60



Size	D
1"	25.4
1¼"	31.8
1½"	38.1
2"	50.8
2½"	63.5
3"	76.2
3½"	89
4"	101.6



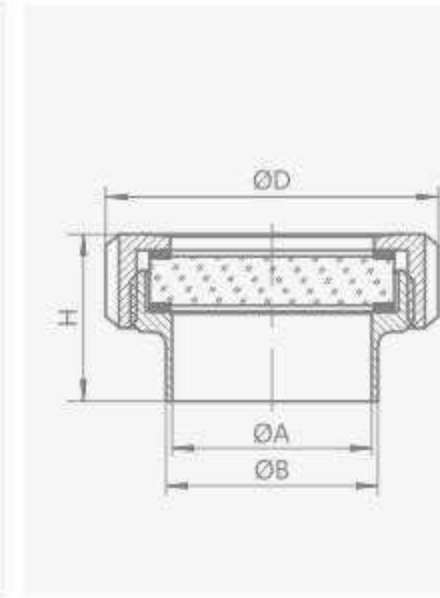
# SANITARY SIGHT GLASS SERIES

视镜系列

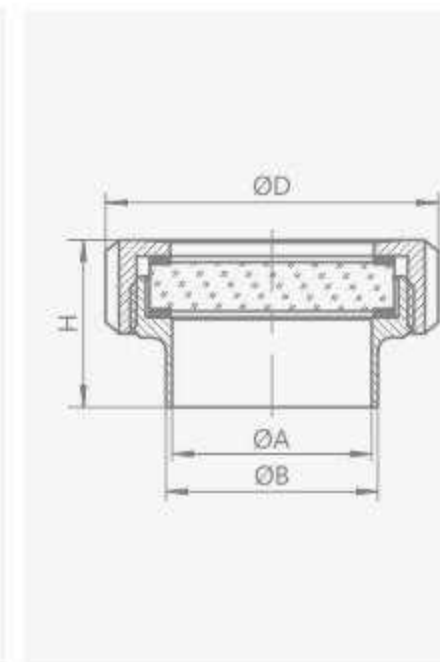
# 14



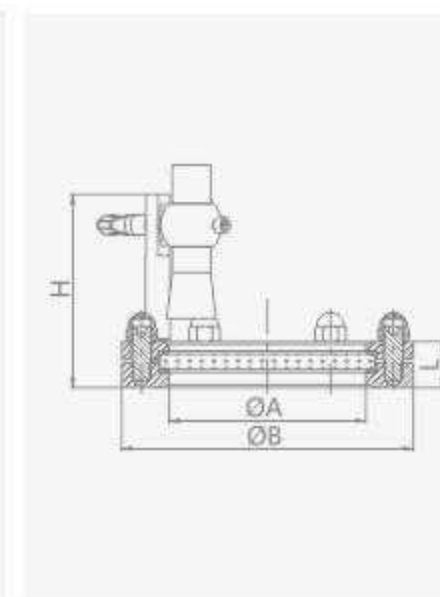
## SANITARY SIGHT GLASS SERIES 视镜系列



3A 由任视镜 / 3A Union Sight Glass				
Size	ØA	ØB	ØD	H
1.5"	34.8	38.1	78	42
2"	47.5	50.8	92	45
2.5"	60.2	63.5	112	49
3"	72.9	76.2	127	54
4"	97.6	101.6	148	63

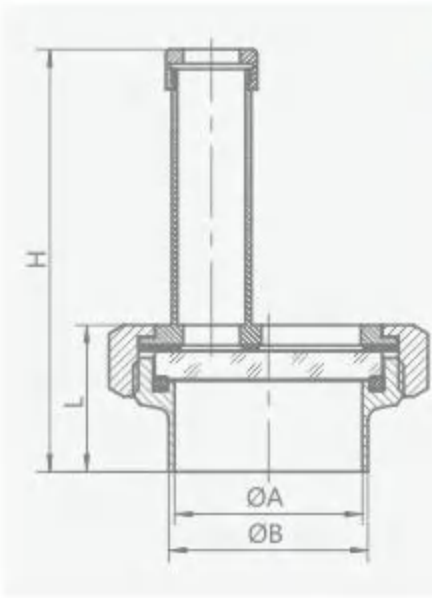


DIN 由任视镜 / DIN Union Sight Glass				
Size	ØA	ØB	ØD	H
DN20	19	22	54	32
DN25	25	28	63	38
DN40	37	40	78	38
DN50	49	52	82	40
DN65	66	70	112	40
DN80	81	85	119	40
DN100	100	106	140	42
DN125	125	131	178	42



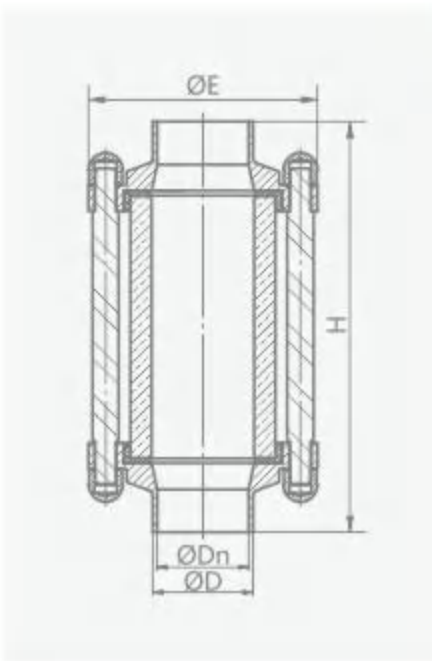
带灯法兰视镜 / Flange Sight Glass With Light				
Size	ØA	ØB	L	H
DN50	78	140	30	126
DN80	98	155	30	126
DN100	128	190	30	126
DN125	154	224	35	131
DN150	182	250	41	137
DN200	233	310	46	142

**SANITARY SIGHT GLASS SERIES**  
视镜系列



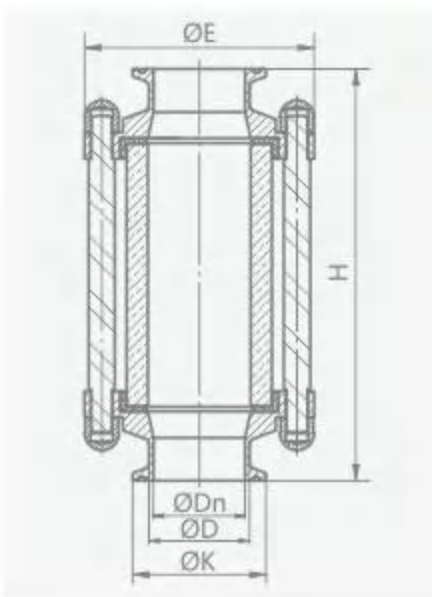
带电池由任视镜 / Union Sight Glass With Light

Size	ØA	ØB	L	H
DN50	49	52	36	129.5
DN65	66	70	51.5	148.5
DN80	81	85	57.5	153.5
DN100	100	104	66.5	163.5



焊接式直通视镜 / Weld Straight Sight Glass

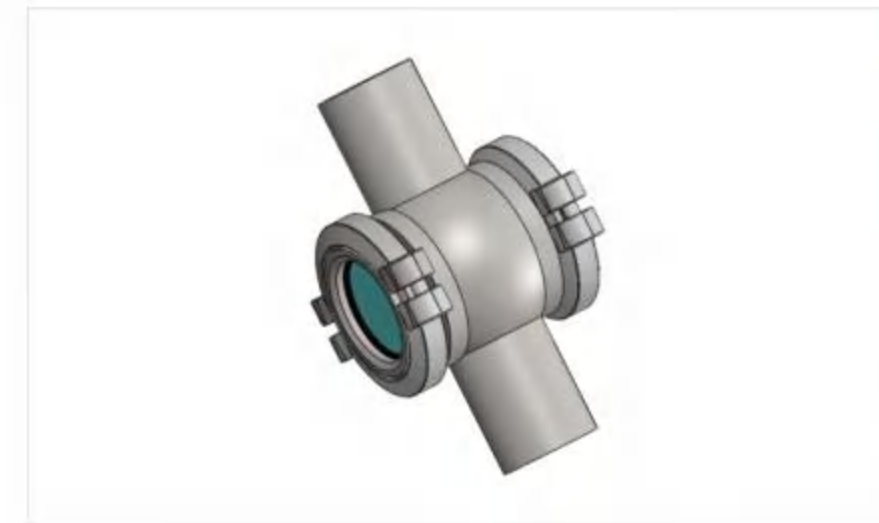
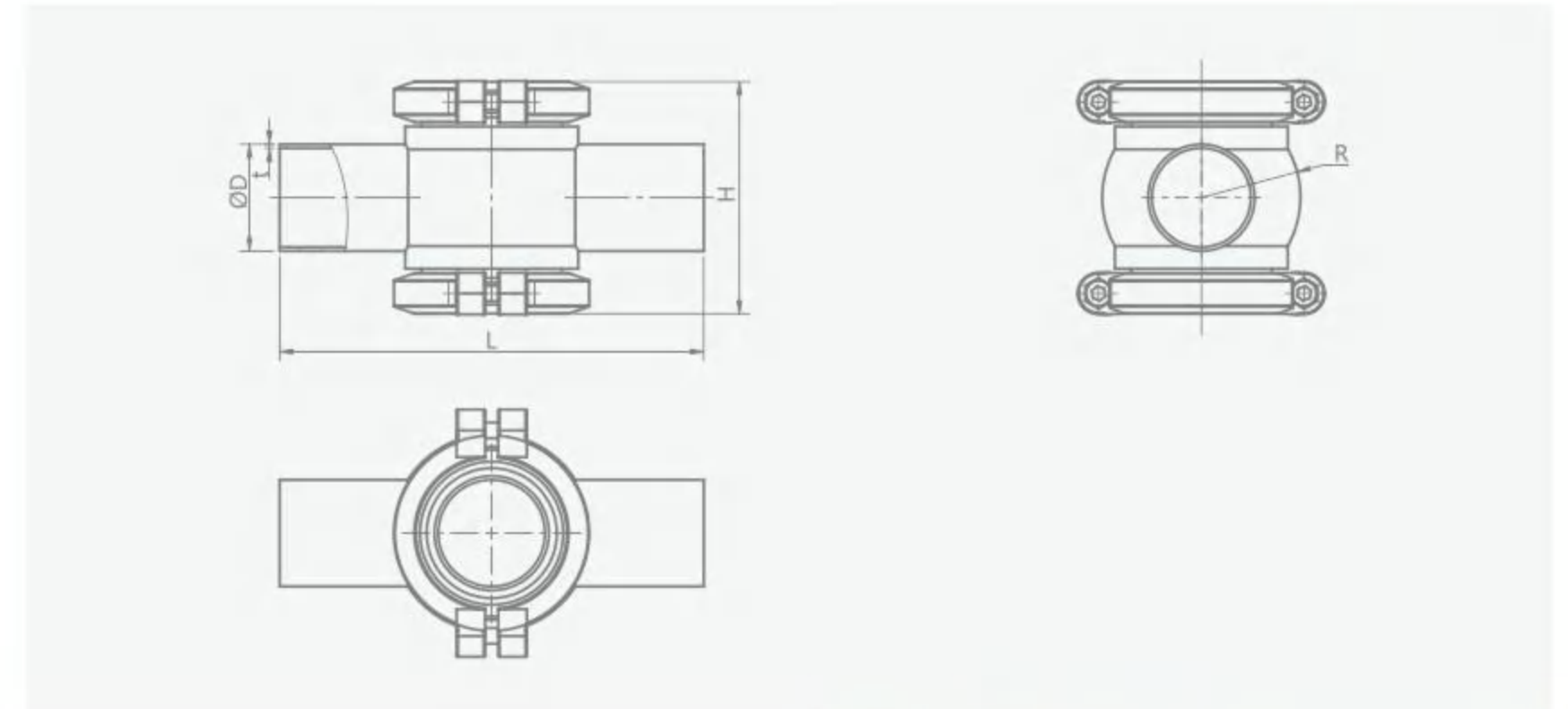
Size	ØDn	ØD	ØE	H
DN20	19	22	47	155
DN25	25	28	87	155
DN32	31	34	87	155
DN40	37	40	87	156
DN50	49	52	100	156
DN65	66	70	115	158
DN80	81	85	125	163
DN100	100	104	160	170



夹式直通视镜 / Clamp Straight Sight Glass

Size	ØDn	ØD	ØK	ØE	H
1"	22.1	25.4	50.5	87	155
1.5"	34.8	38.1	50.5	87	156
2"	47.5	50.8	64	100	156
2.5"	60.2	63.5	77.5	115	158
3"	72.9	76.2	91	125	163
4"	97.4	101.6	119	160	170

**SANITARY SIGHT GLASS SERIES**  
视镜系列

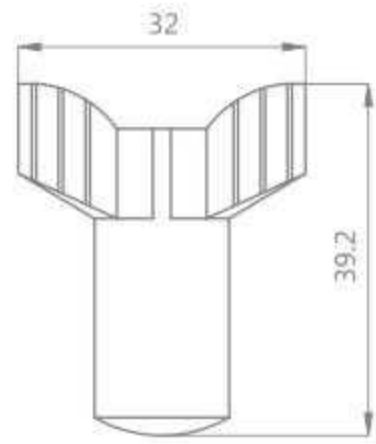


球形四通视镜 / 4 Way Sight Glass

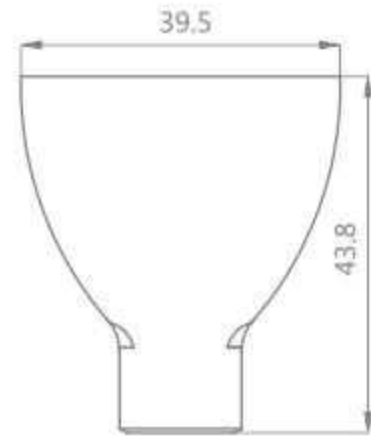
Size	ØD	t	L	H
DN40	41	1.5	163	90
DN50	53	1.5	167	102
DN65	70	2	190	120
DN80	85	2	205	132
DN100	104	2	250	148



**CLAMP SCREW NUT**  
**卡箍螺母**



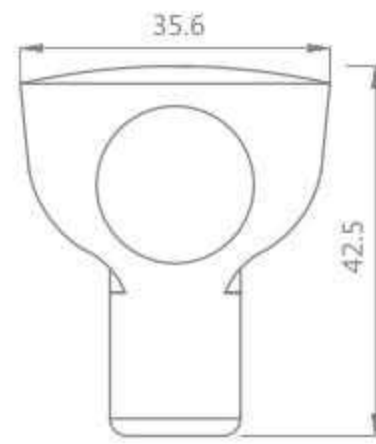
13MHH-11



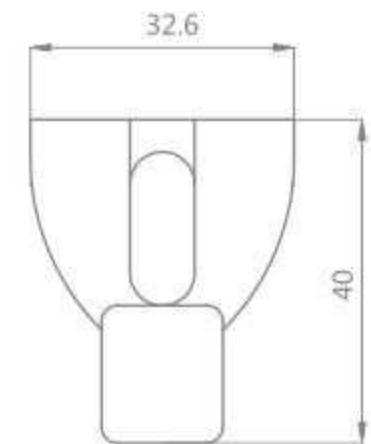
13MHH-12



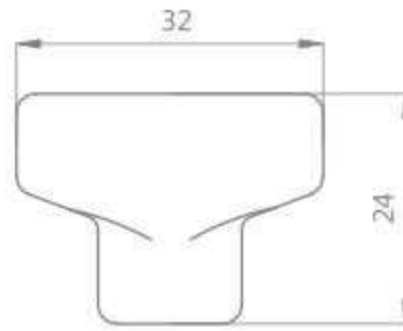
13MHH-13



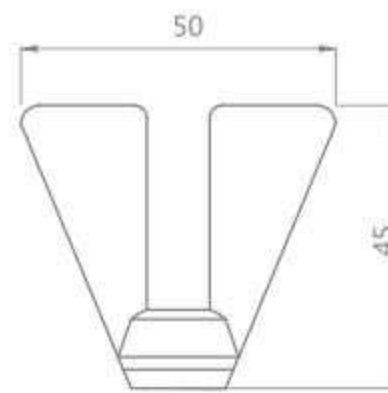
13MHH-14



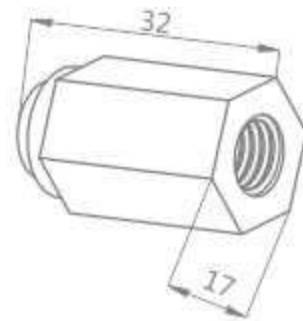
13SP-2



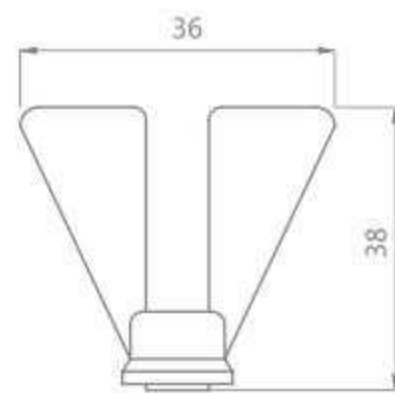
13MHH-10



F2



H17

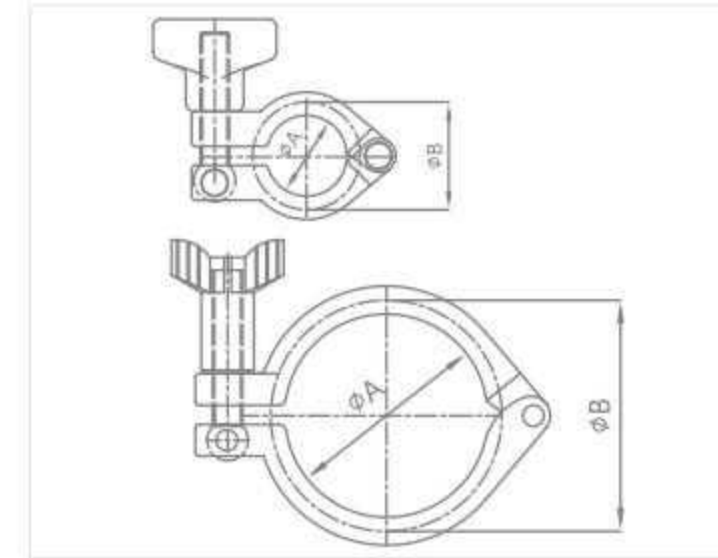


T1



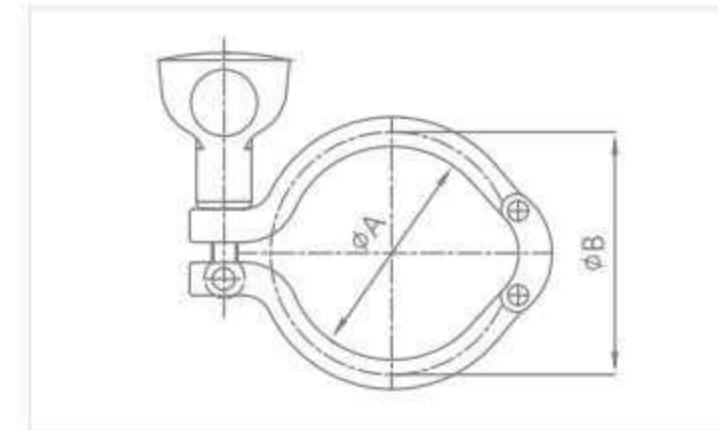
G1-M10

**CLAMP AND ACCESSORIES**  
**卡箍及其他配件**



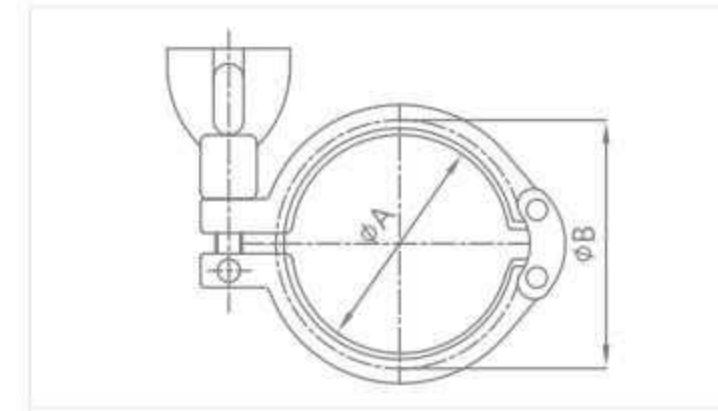
**13MHH 重型单柳钉卡箍 / 13MHH Heavy Duty Single Pin Clamp**

Size	ØA	ØB
1/2" ~ 3/4"	20	28.2
A37	27.8	37
1" ~ 1.5"	44.4	53.6
2"	57.8	67
2.5"	71.4	80.6
3"	84	94.2
3.5"	99	109.2
4"	110	122
4.5"	123	133.2
6"	155.4	170.4
8"	205	220



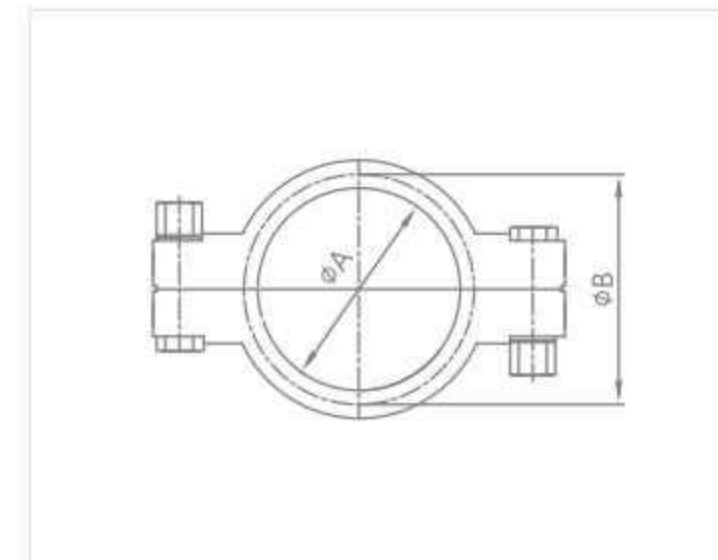
**13MHHM 重型双柳钉卡箍 / 13MHHM Heavy Duty Double Pin Clamp**

Size	ØA	ØB
1/2" ~ 3/4"	20	28
1.5"	43.6	53.6
2"	57	67
2.5"	70.6	80.6
3"	84	94
4"	112	122
6"	155	170
8"	205	220.8



**13SF 重型双柳钉卡箍 / 13SF Heavy Duty Double Pin Clamp**

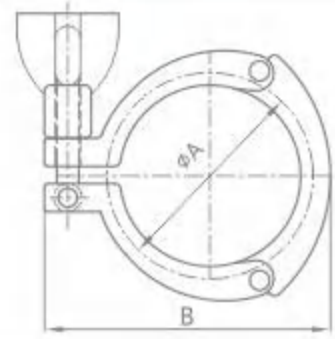
Size	ØA	ØB
1/2" ~ 3/4"	20	28
A37	27.5	42.9
1" ~ 1.5"	45	58.6
2"	59	72
2.5"	67	84
3"	85	98
4"	114	127



**13MHP 高压卡箍 / 13MHP High Pressure Bolted Clamp**

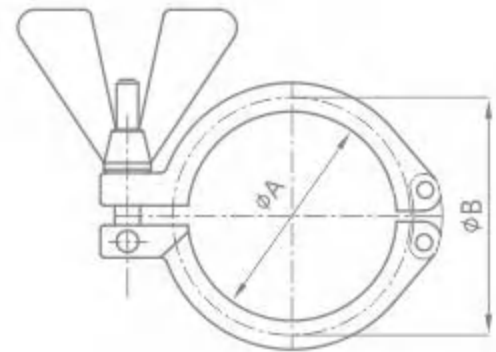
Size	ØA	ØB
1/2" ~ 3/4"	20.0	28
1" ~ 1.5"	43.3	52
2"	56.4	65.5
2.5"	69.5	79
3"	77.5	92.5
4"	108.8	120.5
6"	158.0	170
6.5"	173.0	186.2
8"	222.5	237.5
10"	258.2	272.8
12"	309.0	327.6

## CLAMP AND ACCESSORIES 卡箍及其他配件



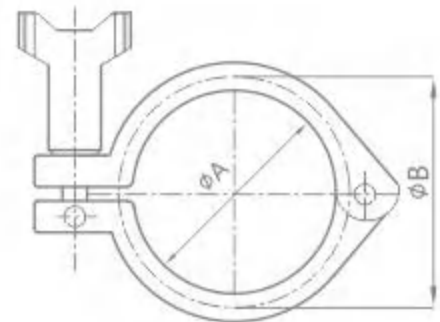
13MHHS 三片式卡箍 / 13MHHS 3 Piece Clamp

Size	ØA	ØB
1" ~ 1.5"	56	80
2"	69.5	94
2.5"	83	109
3"	96.5	126
4"	124.5	154
12"	323.4	369



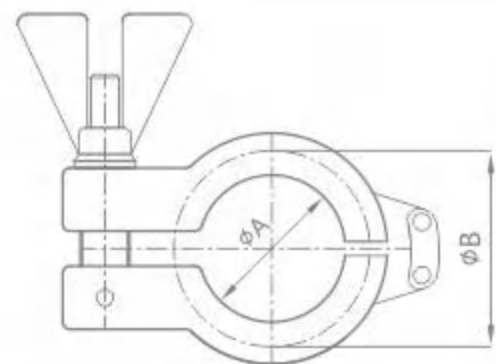
13CS 双铆钉卡箍 / 13CS Double Pin Clamp

Size	ØA	ØB
1/2" ~ 3/4"	20.5	28.3
DN10 ~ 20	27.2	37.0
1.5"	41	53.5
DN25 ~ 40	44.5	54.5
2"	54.5	67.0
DN50	57	68.0
2.5"	68	80.5
3"	81.5	94.0
DN65	84	95.0
DN80	99	110.0
4"	109.5	122.0
DN100	112	123.0
DN115	123	134.0
DN125	144	159.0
6"	157.6	175.1
DN150	172	187.0
8"	207.4	225.9
DN200	222.5	237.5
DN250	257	272.0
DN300	308	323.0



13IS 1-Line卡箍 / 13IS I-Line Clamp

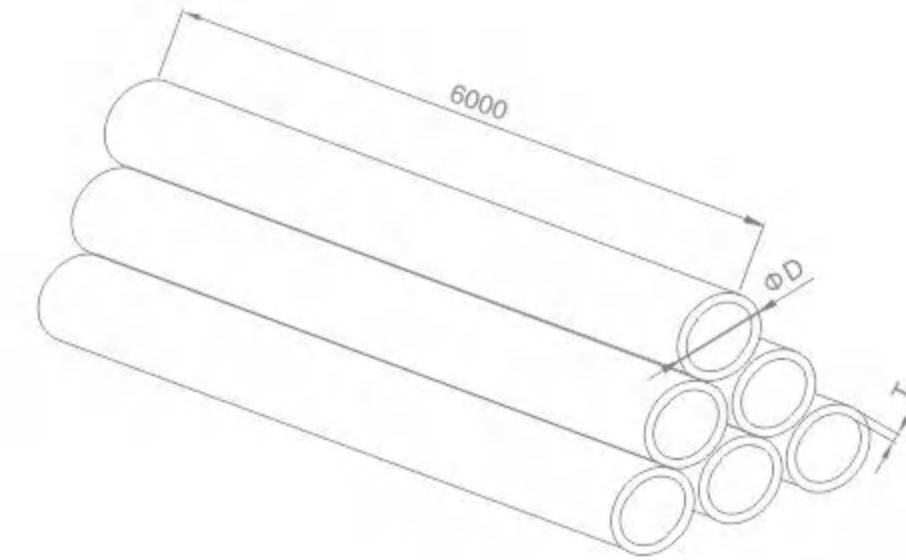
Size	ØA	ØB
1" ~ 1.5"	53.4	83.8
2"	72.2	111
2.5"	88.1	121.4
3"	102.4	136.1
4"	127.8	162
6"	195.3	242.1



13EU 卡箍 / 13EU Clamp

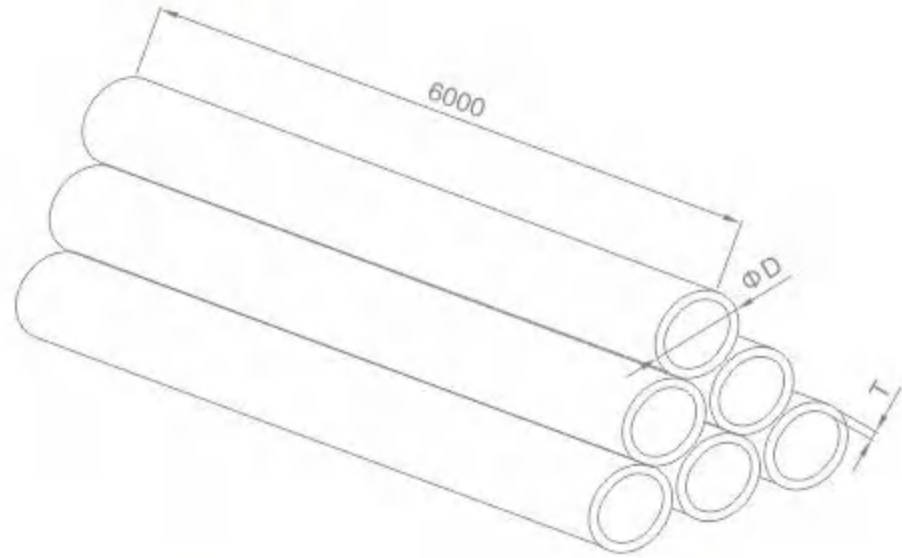
Size	ØA	ØB
DN10-DN20	27.8	37
DN25-DN40	44.4	53.6
DN50	57.8	67
DN65	71.4	80.6
DN80	84	94.2
DN100	99	109.2
DN115	123	133.2

## VARIOUS STANDARD PLUMBING SERIES 各种标准卫生管道系列



ISO 2037			SMS			3A			ISO/IDF		
Size	D	T	Size	T	T	Size	D	T	Size	D	T
12	12	1	25	1.25	1.5	1/2 "	12.7	1.65	1.0 "	25.4	1.5
12.7	12.7	1	32	1.25	1.5	3/4 "	19.1	1.65	1 1/4 "	32.0	1.5
17.2	17.2	1	38	1.25	1.5	1.0 "	25.4	1.65	1 1/2 "	38.1	1.5
21.3	21.3	1	51	1.25	1.5	1.5 "	38.1	1.65	2.0 "	50.8	1.5
25	25	1.2;1.6	63.5	1.50	2.0	2.0 "	50.8	1.65	2 1/2 "	63.5	2.0
33.7	33.7	1.2;1.6	76	1.60	2.0	2.5 "	63.5	1.65	3.0 "	76.2	2.0
38	38	1.2;1.6	101.6	2.0	2.0	3.0 "	76.2	1.65	3 1/2 "	89.0	2.0
40	40	1.2;1.6				4.0 "	101.6	2.10	4.0 "	101.6	2.0
51	51	1.2;1.6				6.0 "	152.4	2.8	4 1/4 "	108.0	2.0
63.5	63.5	1.6				8.0 "	203.2	2.8			
70	70	1.6				10.0 "	254.0	3.40			
76.1	76.1	1.6				12.0 "	305.0	3.40			
88.9	88.9	2.0									
101.6	101.6	2.0									
114.3	114.3	2.0									
139.7	139.7	2.0									
168.3	168.3	2.0									
219.7	219.7										

## VARIOUS STANDARD PLUMBING SERIES 各种标准卫生管道系列



DIN 11850			BS 4825			ISO 1127			
Size	D*T	D*T	D*T	Size	T	T	Size	OD	ID
DN10	12*1.0	13*1.5	12*1.5	12.7	1.2	1.2	26.9	26.9	1.6
DN15	18*1.0	19*1.5	18*1.5	15.88	1.2	1.2	33.7	33.7	2.0
DN20	22*1.0	23*1.5	22*1.5	19.05	1.2	1.2	42.4	42.4	2.0
DN25	28*1.0	29*1.5	28*1.5	25.4	1.2	1.6	48.3	48.3	2.0
DN32	34*1.0	35*1.5	34*1.5	38.1	1.2	1.6	60.3	60.3	2.0
DN40	40*1.0	41*1.5	40*1.5	50.8	1.2	1.6	76.2	76.2	2.0
DN50	52*1.0	53*1.5	52*1.5	63.5	1.6	1.6	88.9	88.9	2.3
DN65	70*2.0	70*2.0	70*2.0	76.2	1.6	1.6	101.6	101.6	2.3
DN80	85*2.0	85*2.0	85*2.0	101.6	2.0	2.0	114.3	114.3	2.3
DN100	104*2.0	104*2.0	104*2.0	114.3	2.0	2.0	139.7	139.7	2.6
DN125	129*2.0	129*2.0	129*2.0	139.7	2.0	2.0	168.3	168.3	2.6
DN150	154*2.0	154*2.0	154*2.0	168.3	2.6	2.6	219.1	219.1	2.6
	Series 1	Series 2	Recommended series	219.1	2.6	2.6			

JIS G3447								
Size	D	T	Size	T	T	Size	D	T
1.0 "	25.4	1.2						
1.25 "	31.8	1.2						
1.5 "	38.1	1.2						
2.0 "	50.8	1.5						
2.5 "	63.5	2.0						
3.0 "	76.2	2.0						
3.5 "	88.9	2.0						
4.0 "	101.6	2.0						
4.5 "	114.3	3.0						
5.5 "	139.7	3.0						
6.5 "	165.1	3.0						

### 各国不锈钢牌号 Stainless Steel Standards of Different Countries

中国	欧盟	美国	美国	英国	德国	日本
GB (China)	EN (Europa)	AISI (U.S.A)	ASTM (U.S.A)	BSI (U.K)	DIN (Germany)	JIS (Japan)
0Cr18Ni9 (06Cr19Ni10)	X5CrNi18-10	304	TP304	304 S 15 304 S 16	1.4301	SUS304
00Cr19Ni10 (022Cr19Ni10)	X2 CrNi19-11	304L	TP304L	304 S 11	1.4306	SUS304L
0Cr17Ni12Mo2 (06Cr17Ni12Mo2)	X5CrNiMo17-2-2	316	TP316	316 S 31	1.4401	SUS316
00Cr17Ni14Mo2 (022Cr17Ni12Mo2)	X2CrNiMo17-2-2	316L	TP316L	316 S 11	1.4404	SUS316L

### 化学成分与力学性能 Chemical Composition and Mechanics Property

中国 (GB)	钢种	碳 ≤	硅 ≤	锰 ≤	磷 ≤	硫 ≤	铬	钼	镍	力学性能			
		C	Si	Mn	P	S	Cr	Mo	Ni	屈服强度 σ <sub>2</sub> (Mpa)≥	抗拉强度 ob(Mpa)≥	延伸率 δ5 %	硬度HB≤
	304	0.07	1.0	2.0	0.035	0.030	18.0-20.0	/	8.0-11	205	520	40	187
	304L	0.03	1.0	2.0	0.035	0.030	18.0-20.0	/	8.0-12	177	480	40	187
	316	0.08	1.0	2.0	0.035	0.030	16.0-18.5	2.0-3.0	10-14	205	520	40	187
	316L	0.03	1.0	2.0	0.035	0.030	16.0-18.0	2.0-3.0	12-15	177	480	40	187

美国 (ASTM)	钢种	碳 ≤	硅 ≤	锰 ≤	磷 ≤	硫 ≤	铬	钼	镍	力学性能			
		C	Si	Mn	P	S	Cr	Mo	Ni	屈服强度 σ <sub>2</sub> (Mpa)≥	抗拉强度 ob(Mpa)≥	延伸率 δ5 %	硬度HB≤
	TP304	0.08	0.75	2.0	0.040	0.030	18.0-20.0	/	8.0-11	205	515	35	187
	TP304L	0.035	0.75	2.0	0.040	0.030	18.0-20.0	/	8.0-13	170	485	35	187
	TP316	0.08	0.75	2.0	0.040	0.030	16.0-18.0	2.0-2.5	10-14	205	515	35	187
	TP316L	0.035	0.75	2.0	0.040	0.030	16.0-18.0	2.0-2.5	12-15	170	485	35	187

日本 (JIS)	钢种	碳 ≤	硅 ≤	锰 ≤	磷 ≤	硫 ≤	铬	钼	镍	力学性能			
		C	Si	Mn	P	S	Cr	Mo	Ni	屈服强度 σ <sub>2</sub> (Mpa)≥	抗拉强度 ob(Mpa)≥	延伸率 δ5 %	硬度HB≤
	304	0.08	1.0	2.0	0.040	0.030	18.0-20.0	/	8.0-11	206	520	35	187
	304L	0.03	1.0	2.0	0.040	0.030	18.0-20.0	/	9.0-13	177	481	35	187
	316	0.08	1.0	2.0	0.040	0.030	16.0-18.0	2.0-3.0	10-14	206	520	35	187
	316L	0.03	1.0	2.0	0.040	0.030	16.0-18.0	2.0-3.0	12-16	177	481	35	187

美国 (AISI) 英国 (BSI) 德国 (DIN) 欧盟 (EN)	钢种	碳 ≤	硅 ≤	锰 ≤	磷 ≤	硫 ≤	铬	钼	镍	力学性能			
		C	Si	Mn	P	S	Cr	Mo	Ni	屈服强度 σ <sub>2</sub> (Mpa)≥	抗拉强度 ob(Mpa)≥	延伸率 δ5 %	硬度HB≤
	304	0.07	1.0	2.0	0.045	0.015	17.0-18.0	/	8.0-10	205	520	40	187
	304L	0.03	1.0	2.0	0.045	0.015	17.0-18.0	/	8.0-10	180	480	40	187
	316	0.08	1.0	2.0	0.045	0.015	16.5-18.0	2.0-2.5	10-13	205	520	40	187
	316L	0.03	1.0	2.0	0.045	0.015	16.5-18.0	2.0-2.5	10-13	180	480	40	187